

1
2
3
4
5
6
7
8
9
10
11
12
13
14
15
16
17
18
19
20
21
22
23
24
25
26

UNITED STATES DISTRICT COURT
WESTERN DISTRICT OF WASHINGTON
AT SEATTLE

POLARIS POWERLED TECHNOLOGIES,
LLC,

Plaintiff,

v.

NINTENDO CO., LTD., and
NINTENDO OF AMERICA, INC.,

Defendants.

No.

**COMPLAINT FOR PATENT
INFRINGEMENT**

JURY DEMAND

Plaintiff Polaris PowerLED Technologies, LLC (“Polaris PowerLED”), by and through its undersigned counsel, files this Complaint for Patent Infringement relating to U.S. Patent No. 8,223,117 (“117 Patent”) and alleges as follows:

THE PARTIES

1. Plaintiff Polaris PowerLED Technologies, LLC (“Polaris PowerLED” or “Plaintiff”) is a California limited liability company, with its address at 32932 Pacific Coast Highway #14-498, Dana Point, California, 92629.

2. Upon information and belief, Defendant Nintendo Co., Ltd. is Japanese company with a regular place of business at 1101 Kamitoba hokotate-cho, Minami-ku, Kyoto 601-8501 Japan.

1 things, inducing others to infringe the '117 Patent, as alleged herein. Intradistrict assignment
2 in the Seattle Division of this District is appropriate under LCR 3(e) because a substantial
3 part of the events that give rise to the claim occurred in King County.

4 **THE PATENT-IN-SUIT**

5 8. Polaris PowerLED owns by the entire right, title, and interest in the '117
6 Patent, which is titled "Method and Apparatus to Control Display Brightness with Ambient
7 Light Correction." The '117 Patent issued on July 17, 2012 to inventor Bruce R. Ferguson
8 from the U.S. Patent Application No. 12/336,990, filed on December 17, 2008. A true and
9 correct copy of the '117 Patent is attached as Exhibit A to this Complaint.

10 9. Bruce Ferguson invented an important and novel manner of adjusting the
11 brightness of a display screen in response to ambient light, conserving power, reducing eye
12 strain, and significantly improving the experience of the user. His inventions were a
13 significant advance in the field of display technology, power conservation and power control
14 for electronics products, including televisions and other devices. Mr. Ferguson patented these
15 innovations in the '117 Patent.

16 10. Claim 1 of the '117 Patent, for example, reads as follows:

17 1. A brightness control circuit with selective ambient light
18 correction comprising:

19 a first input configured to receive a user signal indicative of a
20 user selectable brightness setting;

21 a light sensor configured to sense ambient light and to output a
22 sensing signal indicative of the ambient light level;

23 a multiplier configured to selectively generate a combined
24 signal based on both the user signal and the sensing signal; and

25 a dark level bias configured to adjust the combined signal to
26 generate a brightness control signal that is used to control a
brightness level of a visible display such that the brightness
control signal is maintained above a predetermined level when
the ambient light level decreases to approximately zero.

COUNT I

(INFRINGEMENT OF U.S. PATENT NO. 8,223,117)

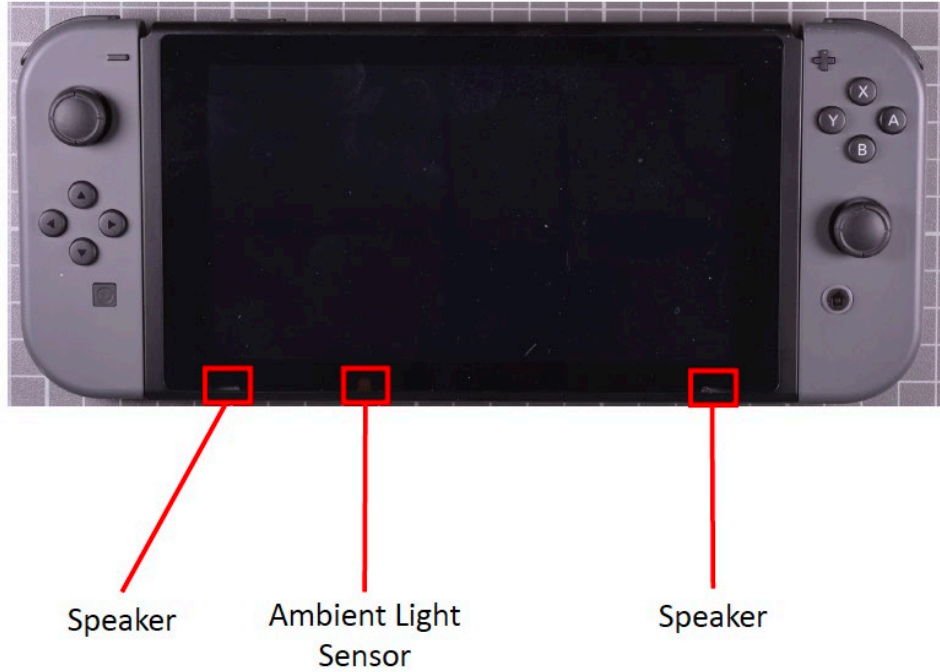
11. Polaris PowerLED incorporates by reference paragraphs 1-10 above.

12. Nintendo has directly and indirectly infringed, and continues to directly and indirectly infringe, one or more claims of the '117 Patent, including at least claim 1 of the '117 Patent, literally and/or under the doctrine of equivalents. Nintendo has directly infringed, and continues to directly infringe one or more claims of the '117 Patent, including at least claim 1 of the '117 Patent, literally and/or under the doctrine of equivalents, by or through making, using, offering for sale, selling within the United States, and/or importing into the United States video game devices (the "Accused Products"), including, for example, the Nintendo Switch products that contain ambient light sensors and autobrightness control features in violation of 35 U.S.C. § 271(a).

13. The Accused Products include "a brightness control circuit with selective ambient light correction" as required by claim 1. For example, the Nintendo Switch products contain a brightness control circuit with hardware components and/or software that detects ambient light and adjusts the brightness based on the ambient light level. For example, the Nintendo Switch products contain at least an ambient light sensor that detects ambient light as well as a processor and software. Ex. B, Technical Specs of Nintendo Switch, *available at* <https://www.nintendo.com/switch/tech-specs/>. The brightness control circuit implements selective ambient light correction, such as, for example, in the autobrightness control feature based on the settings of the Accused Products.

14. As a representative example, the Nintendo Switch products include an ambient light sensor and software to allow the device to selectively control display brightness based on ambient light levels.

1
2
3
4
5
6
7
8
9
10
11
12
13
14
15
16
17
18
19
20
21
22
23
24
25
26

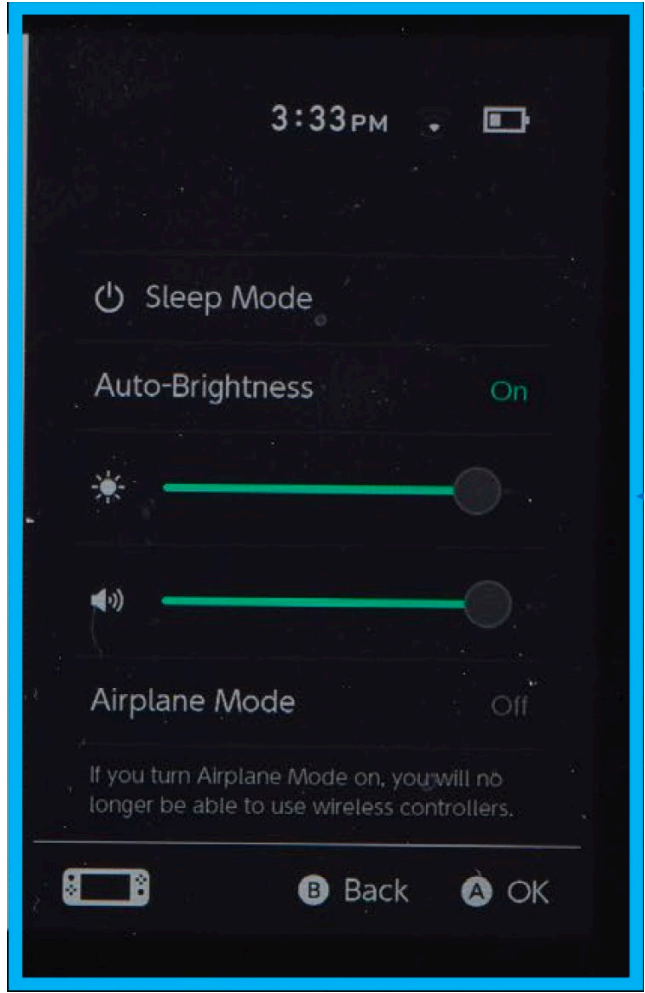


15. This autobrightness adjustment feature can be adjusted by moving the brightness slider bar, as shown in the below photo of the brightness adjustment screen and separately in the online user manual. Thus, the Nintendo Switch products include a brightness control circuit with selective ambient light correction.



The controllable settings in the user interface of the device

1
2
3
4
5
6
7
8
9
10
11
12
13
14
15
16
17
18
19
20
21
22
23
24
25
26



1
2
3
4
5
6
7
8
9
10
11
12
13
14
15
16
17
18
19
20
21
22
23
24
25
26

Note

- Screen brightness can be adjusted only while in handheld mode or tabletop mode.
- When **Auto-Brightness** is enabled, the screen brightness will adjust based on ambient conditions.

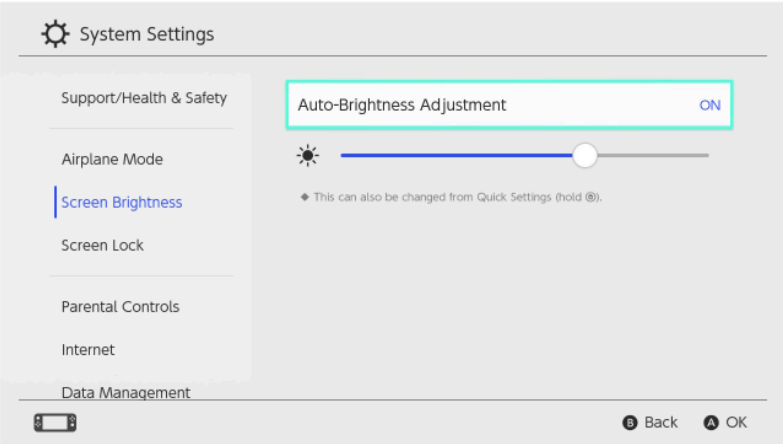
Screen brightness can be adjusted in the following ways:

From the Quick Settings Menu.

1. Press and hold down the **HOME Button** for at least one second to open the **Quick Settings Menu**.
2. Enable/disable Auto-Brightness, or manually adjust the screen brightness by sliding the brightness level bar.

From Within System Settings.

From the HOME Menu, select **System Settings**, then **Screen Brightness**, then **Auto-Brightness Adjustment**, and finally select **On** or manually adjust the screen brightness by sliding the brightness level bar.



The Auto-Brightness Adjustment setting being displayed in the Screen Brightness menu within the Nintendo Switch System Settings

Ex. C, Nintendo Switch online manual, available at https://en-americas-support.nintendo.com/app/answers/detail/a_id/22330/p/989/c/990#DT:t1-q1a1EP:t1-q1a1-c.

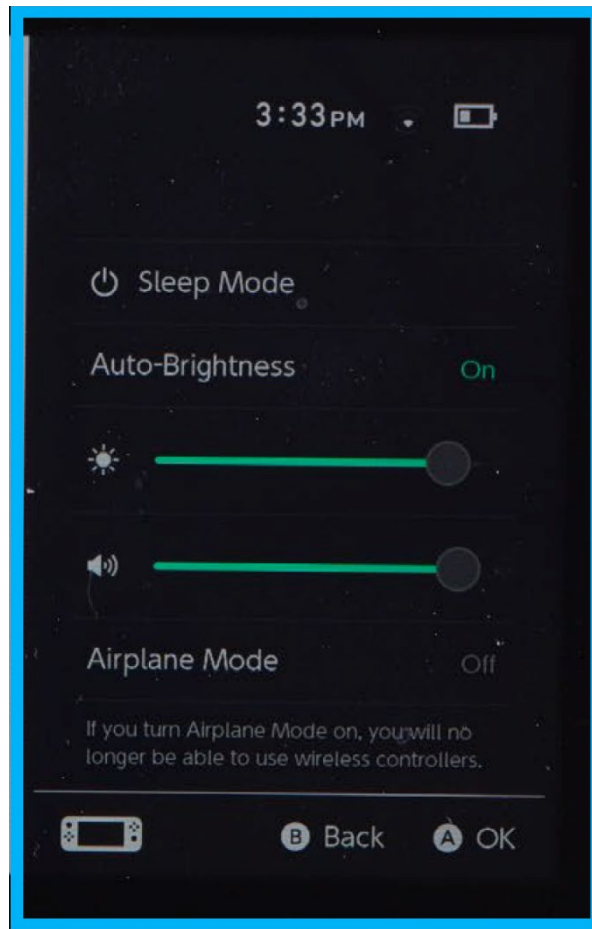
16. The Accused Products include “a first input configured to receive a user signal indicative of a user selectable brightness setting” as required by claim 1 of the ’117 Patent. The Accused Products include, for example, a brightness bar providing a user selectable brightness setting based on the position of the slider bar. As a result of the user moving the

1 slider bar, the system, in hardware and/or software, generates a user signal indicative of the
2 user selectable brightness setting. The Accused Products include hardware and/or software
3 with a first input that is configured to receive the user signal.

4 17. For example, a user may use the brightness slider bar on the Nintendo Switch
5 products to adjust the screen brightness, which is a user selectable brightness setting:



The controllable settings in the user interface of the device



1
2
3
4
5
6
7
8
9
10
11
12
13
14
15
16
17
18
19
20
21
22
23
24
25
26

Note

- Screen brightness can be adjusted only while in handheld mode or tabletop mode.
- When **Auto-Brightness** is enabled, the screen brightness will adjust based on ambient conditions.

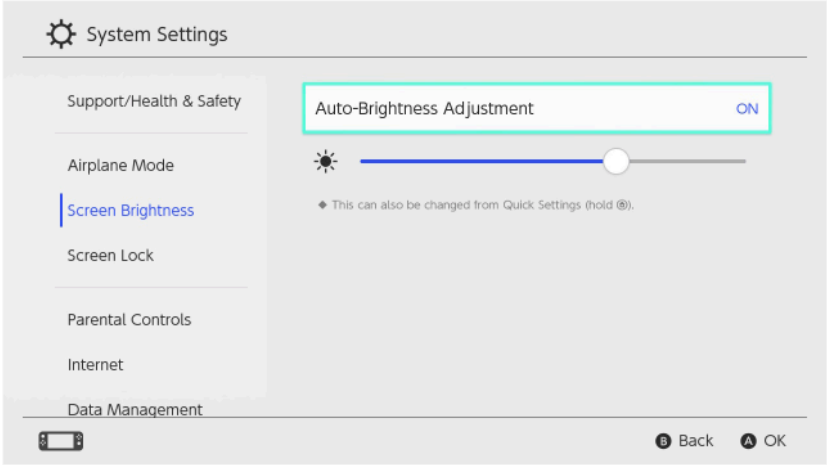
Screen brightness can be adjusted in the following ways:

From the Quick Settings Menu.

1. Press and hold down the **HOME Button** for at least one second to open the **Quick Settings Menu**.
2. Enable/disable Auto-Brightness, or manually adjust the screen brightness by sliding the brightness level bar.

From Within System Settings.

From the HOME Menu, select **System Settings**, then **Screen Brightness**, then **Auto-Brightness Adjustment**, and finally select **On** or manually adjust the screen brightness by sliding the brightness level bar.



The screenshot shows the 'System Settings' menu with 'Screen Brightness' selected. The 'Auto-Brightness Adjustment' toggle is turned ON. A slider for manual brightness adjustment is visible below the toggle. A note indicates that the setting can also be changed from Quick Settings by holding the HOME button.

The Auto-Brightness Adjustment setting being displayed in the Screen Brightness menu within the Nintendo Switch System Settings

Ex. C, Nintendo Switch online manual, *available at* https://en-americas-support.nintendo.com/app/answers/detail/a_id/22330/p/989/c/990#DT:t1-q1a1EP:t1-q1a1-c.

18. The Accused Products include “a light sensor configured to sense ambient light and to output a sensing signal indicative of the ambient light level” as required by claim 1 of the ’117 Patent, as shown below in the Nintendo Switch products and in the Technical

1 Specs for the Nintendo Switch products:



10
11
12
13 Speaker

Ambient Light
Sensor

Speaker

14
15
16

Sensor	Accelerometer, gyroscope, and brightness sensor
--------	---

17 Ex. B, Technical Specs of Nintendo Switch, *available at*
18 <https://www.nintendo.com/switch/tech-specs/>. The light sensor measures ambient light and
19 outputs a sensing signal indicative of the ambient light.

20 19. The Accused Products include “a multiplier configured to selectively generate
21 a combined signal based on both the user signal and the sensing signal” as required by claim
22 1 of the ’117 Patent. The Accused Products, including the Nintendo Switch products, have a
23 multiplier in hardware and/or software that is configured to generate a combined signal based
24 on both the user signal and the sensing signal. The multiplier selectively generates the
25 combined signal depending on the configured settings.

26 20. The Accused Products, like the Nintendo Switch products, include “a dark

1 level bias configured to adjust the combined signal to generate a brightness control signal
2 that is used to control a brightness level of a visible display such that the brightness control
3 signal is maintained above a predetermined level when the ambient light level decreases to
4 approximately zero” as required by claim 1 of the ’117 Patent. The Accused Products include,
5 for example, hardware and/or software that includes a dark level bias configured to adjust the
6 combined signal.

7 21. The dark level bias is stored in hardware or as a software variable and is used
8 to adjust the combined signal to generate a brightness control signal that is used to control a
9 brightness level of a visible display such that the brightness control signal is maintained above
10 a predetermined level when the ambient light level decreases to approximately zero. The
11 dark level bias is used to adjust the combined signal to generate a brightness control signal in
12 the Accused Products. When the ambient light level decreases to approximately zero, the
13 dark level bias is used such that the brightness control signal is maintained above a
14 predetermined level. This can prevent the display from becoming unviewable in very low
15 ambient light conditions.

16 22. Nintendo has indirectly infringed and continues to indirectly infringe the ’117
17 Patent by inducing infringement of the ’117 Patent by its customers, users, and third parties.
18 Nintendo received notice of the ’117 Patent and of its infringement of the ’117 Patent by no
19 later than February 11, 2020 by virtue of a letter from Polaris PowerLED to Nintendo. From
20 at least the time Nintendo received notice, Nintendo has been actively inducing its customers,
21 users, and third parties to infringe at least claim 1 of the ’117 Patent.

22 23. Nintendo has taken affirmative actions to induce infringement by intentionally
23 instructing its customers, users, and third parties to directly infringe one or more claims of
24 the ’117 Patent, including at least claim 1, through instructions, training videos,
25 demonstrations, brochures and user guides that instruct on the infringing use and
26 implementation of the automatic brightness functionality, such as those in Ex. C, Nintendo

1 Switch online manual, *available at* [https://en-americas-](https://en-americas-support.nintendo.com/app/answers/detail/a_id/22330/p/989/c/990#DT:t1-q1a1EP:t1-q1a1-c)
2 [support.nintendo.com/app/answers/detail/a_id/22330/p/989/c/990#DT:t1-q1a1EP:t1-q1a1-](https://en-americas-support.nintendo.com/app/answers/detail/a_id/22330/p/989/c/990#DT:t1-q1a1EP:t1-q1a1-c)
3 [c](https://en-americas-support.nintendo.com/app/answers/detail/a_id/22330/p/989/c/990#DT:t1-q1a1EP:t1-q1a1-c); Ex. D, *available at* <https://www.nintendo.com/sg/support/qa/detail/34040>; and Ex. B,
4 Technical Specs of Nintendo Switch, *available at* [https://www.nintendo.com/switch/tech-](https://www.nintendo.com/switch/tech-specs/)
5 [specs/](https://www.nintendo.com/switch/tech-specs/).

6 24. Nintendo has specifically intended, and still intends, that its customers, end
7 users, and third parties infringe the '117 Patent. Nintendo has been, and still is, aware that
8 the acts of its customers, end users, and third parties in making and using the autobrightness
9 and ambient light sensor features of the Accused Products infringe one or more claims of the
10 '117 patent, including at least claim 1. Nintendo has known and intended that its continued
11 actions would actively induce the direct infringement of one or more claims of the '117
12 Patent, including at least claim 1, by its customers, end users, and third parties.

13 25. With knowledge of both the '117 Patent and its infringement of the '117
14 Patent, Nintendo has acted with specific intent or willful blindness to actively aid and abet its
15 customers, end users, and third parties in infringing the '117 Patent by making and using the
16 autobrightness and ambient light sensor features of the Accused Products in a manner
17 constituting direct infringement of at least claim 1 of the '117 Patent. Nintendo is thus liable
18 for infringement of the '117 Patent under 35 U.S.C. § 271(b).

19 26. Nintendo has willfully infringed, and continues to willfully infringe, the '117
20 Patent. By at least as early as February 11, 2020, when Polaris sent Nintendo a letter
21 regarding the '117 Patent, Nintendo had actual knowledge of the '117 Patent and knowledge
22 that its activities were infringing the '117 Patent. After receiving actual knowledge of the
23 '117 Patent and of its infringement of the '117 Patent, Nintendo willfully continued to make,
24 use, sell, offer for sale, and/or import into the United States infringing products despite
25 knowing that there was a high likelihood of infringement and, in fact, being on notice of such
26 infringement. Additionally, after receiving actual knowledge of the '117 Patent and of its

1 infringement of the '117 Patent, Nintendo willfully continued to induce infringement by its
2 customers, end users, and third parties. Nintendo further actively promotes the infringing
3 autobrightness control and ambient light sensor features in its products.

4 27. On information and belief, Nintendo's past and continuing infringement has
5 been deliberate and willful, and this case is therefore an exceptional case, which warrants
6 award of treble damages and attorneys' fees to Plaintiff pursuant to 35 U.S.C. § 285.

7 28. As a result of Nintendo's infringement of the '117 Patent, Polaris PowerLED
8 has suffered monetary damages and is entitled to no less than a reasonable royalty for
9 Nintendo's use of the claimed inventions of the '117 Patent, together with interest and costs
10 as determined by the Court. Polaris PowerLED will continue to suffer damages in the future
11 unless Nintendo's infringing activities are enjoined by this Court.

12 29. Polaris PowerLED will be irreparably harmed unless a permanent injunction
13 is issued enjoining Nintendo and its agents, employees, representatives, affiliates, and others
14 acting in concert with Nintendo from infringing the '117 Patent.

15 **PRAYER FOR RELIEF**

16 WHEREFORE, Polaris PowerLED requests the following relief from this Court:

17 (A) A judgment that Defendants have directly infringed one or more claims of the
18 '117 Patent literally and/or under the doctrine of equivalents;

19 (B) A judgment that Defendants have indirectly infringed one or more claims of
20 the '117 Patent literally and/or under the doctrine of equivalents by inducing infringement;

21 (C) Compensatory damages in an amount according to proof, and in any event no
22 less than a reasonable royalty, including all pre-judgment and post-judgment interest at the
23 maximum rate allowed by law;

24 (D) Treble damages for willful infringement pursuant to 35 U.S.C. § 284;

25 (E) A judgment that this is an exceptional case and awarding Polaris PowerLED
26 its costs and reasonable attorneys' fees incurred in this action as provided by 35 U.S.C. § 285;

1 (F) An order and judgment permanently enjoining Nintendo and its officers,
2 directors, agents, servants, employees, affiliates, attorneys, and all others acting in privity or
3 in concert with them, and their parents, subsidiaries, divisions, successors and assigns from
4 further acts of infringement of the '117 Patent; and

5 (G) A judgment granting Polaris PowerLED such further relief as the Court may
6 deem just and proper.

7 **JURY TRIAL DEMAND**

8 Polaris PowerLED hereby demands trial by jury on all issues so triable pursuant to
9 Fed. R. Civ. P. 38.

10
11 DATED: March 29, 2022.

**KRAMER DAY ALBERTI LIM
TONKOVICH & BELLOLI LLP**

12
13 By: /s/ Russell S. Tonkovich
14 Russell S. Tonkovich (*pro hac vice* to be filed)
15 Sven Raz, WSBA No. 48093
16 577 Airport Boulevard, Suite 250
17 Burlingame, CA 94010
18 Phone: (650) 825-4300
19 Fax: (650) 460-8443
20 rtonkovich@kramerday.com
21 sraz@kramerday.com

ARETE LAW GROUP PLLC

22 By: /s/ Jeremy E. Roller
23 Jeremy E. Roller, WSBA No. 32021
24 1218 Third Avenue, Suite 2100
25 Seattle, WA 98101
26 Phone: (206) 428-3250
Fax: (206) 428-3251
jroller@aretelaw.com

*Attorneys for Plaintiff Polaris PowerLED
Technologies, LLC*

EXHIBIT A



US008223117B2

(12) **United States Patent**
Ferguson

(10) **Patent No.:** **US 8,223,117 B2**
(45) **Date of Patent:** ***Jul. 17, 2012**

(54) **METHOD AND APPARATUS TO CONTROL DISPLAY BRIGHTNESS WITH AMBIENT LIGHT CORRECTION**

(75) Inventor: **Bruce R. Ferguson**, Anaheim, CA (US)

(73) Assignee: **Microsemi Corporation**, Irvine, CA (US)

(*) Notice: Subject to any disclaimer, the term of this patent is extended or adjusted under 35 U.S.C. 154(b) by 841 days.

This patent is subject to a terminal disclaimer.

2,572,258 A	10/1951	Goldfield et al.
2,965,799 A	12/1960	Brooks et al.
2,968,028 A	1/1961	Eilichi et al.
3,141,112 A	7/1964	Eppert
3,449,629 A	6/1969	Wigert et al.
3,565,806 A	2/1971	Ross
3,597,656 A	8/1971	Douglas
3,611,021 A	10/1971	Wallace
3,683,923 A	8/1972	Anderson
3,737,755 A	6/1973	Calkin et al.
3,742,330 A	6/1973	Hodges et al.
3,916,283 A	10/1975	Burrows
3,936,696 A	2/1976	Gray
3,944,888 A	3/1976	Clark
4,053,813 A	10/1977	Komrumpf et al.
4,060,751 A	11/1977	Anderson
4,204,141 A	5/1980	Nuver

(Continued)

(21) Appl. No.: **12/336,990**

(22) Filed: **Dec. 17, 2008**

(65) **Prior Publication Data**

US 2009/0091560 A1 Apr. 9, 2009

Related U.S. Application Data

(63) Continuation of application No. 11/023,295, filed on Dec. 27, 2004, now Pat. No. 7,468,722.

(60) Provisional application No. 60/543,094, filed on Feb. 9, 2004.

(51) **Int. Cl.**
G09G 3/36 (2006.01)

(52) **U.S. Cl.** **345/102; 345/207**

(58) **Field of Classification Search** **345/48, 345/102, 207**

See application file for complete search history.

(56) **References Cited**

U.S. PATENT DOCUMENTS

2,429,162 A	10/1947	Russell et al.
2,440,984 A	5/1948	Summers

FOREIGN PATENT DOCUMENTS

EP 0326114 8/1989

(Continued)

OTHER PUBLICATIONS

Tannas, Lawrence, "Flat Panel Displays and CRTs". ©1985 Van Nostrand Reinhold Company Inc., pp. 96-99.

(Continued)

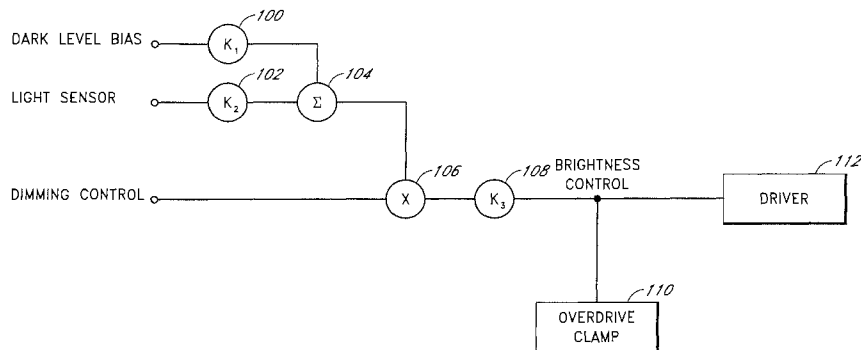
Primary Examiner — Kevin M Nguyen

(74) *Attorney, Agent, or Firm* — Knobbe Martens Olson & Bear, LLP

(57) **ABSTRACT**

An ambient light sensor produces a current signal that varies linearly with the level of ambient light. The current signal is multiplied by a user dimming preference to generate a brightness control signal that automatically compensates for ambient light variations in visual information display systems. The multiplying function provides noticeable user dimming control at relatively high ambient light levels.

20 Claims, 10 Drawing Sheets



US 8,223,117 B2

Page 2

U.S. PATENT DOCUMENTS					
			5,485,059	A	1/1996 Yamashita et al.
			5,485,487	A	1/1996 Orbach et al.
4,277,728	A	7/1981 Stevens	5,493,183	A	2/1996 Kimball
4,307,441	A	12/1981 Bello	5,495,405	A	2/1996 Fujimura et al.
4,353,009	A	10/1982 Knoll	5,510,974	A	4/1996 Gu et al.
4,386,345	A *	5/1983 Narveson et al. 345/207	5,514,947	A	5/1996 Berg
4,388,562	A	6/1983 Josephson	5,519,289	A	5/1996 Katyl et al.
4,392,087	A	7/1983 Zansky	5,528,192	A	6/1996 Agiman
4,437,042	A	3/1984 Morais et al.	5,539,281	A	7/1996 Shackle et al.
4,441,054	A	4/1984 Bay	5,548,189	A	8/1996 Williams
4,463,287	A	7/1984 Pitel	5,552,697	A	9/1996 Chan
4,469,988	A	9/1984 Cronin	5,557,249	A	9/1996 Reynal
4,480,201	A	10/1984 Jaeschke	5,563,473	A	10/1996 Mattas et al.
4,523,130	A	6/1985 Pitel	5,563,501	A	10/1996 Chan
4,543,522	A	9/1985 Moreau	5,574,335	A	11/1996 Sun
4,544,863	A	10/1985 Hashimoto	5,574,356	A	11/1996 Parker
4,555,673	A	11/1985 Huijsing et al.	5,608,312	A	3/1997 Wallace
4,562,338	A	12/1985 Okami	5,612,594	A	3/1997 Maheshwari
4,567,379	A	1/1986 Corey et al.	5,612,595	A	3/1997 Maheshwari
4,572,992	A	2/1986 Masaki	5,615,093	A	3/1997 Nalbant
4,574,222	A	3/1986 Anderson	5,619,104	A	4/1997 Eunghwa
4,585,974	A	4/1986 Stupp et al.	5,619,402	A	4/1997 Liu
4,622,496	A	11/1986 Dattilo et al.	5,621,281	A	4/1997 Kawabata et al.
4,626,770	A	12/1986 Price, Jr.	5,629,588	A	5/1997 Oda et al.
4,630,005	A	12/1986 Clegg et al.	5,635,799	A	6/1997 Hesterman
4,663,566	A	5/1987 Nagano	5,652,479	A	7/1997 LoCascio et al.
4,663,570	A	5/1987 Luchaco et al.	5,663,613	A	9/1997 Yamashita et al.
4,672,300	A	6/1987 Harper	5,705,877	A	1/1998 Shimada
4,675,574	A	6/1987 Delflache	5,710,489	A	1/1998 Nilssen
4,682,080	A	7/1987 Ogawa et al.	5,712,533	A	1/1998 Corti
4,686,615	A	8/1987 Ferguson	5,712,776	A	1/1998 Palara et al.
4,689,802	A	8/1987 McCambridge	5,719,474	A	2/1998 Vitello
4,698,554	A	10/1987 Stupp et al.	5,744,915	A	4/1998 Nilssen
4,700,113	A	10/1987 Stupp et al.	5,748,460	A	5/1998 Ishihawa
4,713,659	A *	12/1987 Oyagi et al. 345/48	5,751,115	A	5/1998 Jayaraman et al.
4,717,863	A	1/1988 Zeiler	5,751,120	A	5/1998 Zeitler et al.
4,745,339	A	5/1988 Izawa et al.	5,751,560	A	5/1998 Yokoyama
4,761,722	A	8/1988 Pruitt	5,754,012	A	5/1998 LoCascio
4,766,353	A	8/1988 Burgess	5,754,013	A	5/1998 Praiswater
4,779,037	A	10/1988 LoCascio	5,760,760	A	6/1998 Helms
4,780,696	A	10/1988 Jirka	5,770,925	A	6/1998 Konopka et al.
4,792,747	A	12/1988 Schroeder	5,777,439	A	7/1998 Hua
4,812,781	A	3/1989 Regnier	5,786,801	A	7/1998 Ichise
4,847,745	A	7/1989 Shekhawat	5,796,213	A	8/1998 Kawasaki
4,862,059	A	8/1989 Tominaga et al.	5,808,422	A	9/1998 Venkitasubrahmanian et al.
4,885,486	A	12/1989 Shekhawat et al.	5,818,172	A	10/1998 Lee
4,893,069	A	1/1990 Harada et al.	5,822,201	A	10/1998 Kijima
4,902,942	A	2/1990 El-Hamamsy et al.	5,825,133	A	10/1998 Conway
4,939,381	A	7/1990 Shibata	5,828,156	A	10/1998 Roberts
4,998,046	A	3/1991 Lester	5,844,540	A	12/1998 Terasaki
5,023,519	A	6/1991 Jensen	5,854,617	A	12/1998 Lee et al.
5,030,887	A	7/1991 Guisinger	5,859,489	A	1/1999 Shimada
5,036,255	A	7/1991 McKnight et al.	5,872,429	A	2/1999 Xia et al.
5,049,790	A	9/1991 Herfurth et al.	5,880,946	A	3/1999 Biegel
5,057,808	A	10/1991 Dhyanchand	5,883,473	A	3/1999 Li et al.
5,083,065	A	1/1992 Sakata et al.	5,886,477	A	3/1999 Honbo et al.
5,089,748	A	2/1992 Ihms	5,892,336	A	4/1999 Lin et al.
5,105,127	A	4/1992 Lavaud et al.	5,901,176	A	5/1999 Lewison
5,130,565	A	7/1992 Girmay	5,910,709	A	6/1999 Stevanovic et al.
5,130,635	A	7/1992 Kase	5,910,713	A	6/1999 Nishi et al.
5,173,643	A	12/1992 Sullivan et al.	5,912,812	A	6/1999 Moriarty, Jr. et al.
5,220,272	A	6/1993 Nelson	5,914,842	A	6/1999 Sievers
5,235,254	A	8/1993 Ho	5,923,129	A	7/1999 Henry
5,270,818	A *	12/1993 Ottenstein 348/602	5,923,546	A	7/1999 Shimada et al.
5,289,051	A	2/1994 Zitta	5,925,988	A	7/1999 Grave et al.
5,317,401	A	5/1994 Dupont et al.	5,930,121	A	7/1999 Henry
5,327,028	A	7/1994 Yum et al.	5,930,126	A	7/1999 Griffin et al.
5,349,272	A	9/1994 Rector	5,936,360	A	8/1999 Kaneko
5,406,305	A	4/1995 Shimomura et al.	5,939,830	A	8/1999 Praiswater
5,410,221	A	4/1995 Mattas et al.	6,002,210	A	12/1999 Nilssen
5,420,779	A	5/1995 Payne	6,011,360	A	1/2000 Gradzki et al.
5,430,641	A	7/1995 Kates	6,016,245	A	1/2000 Ross
5,434,477	A	7/1995 Crouse et al.	6,020,688	A	2/2000 Moisin
5,440,208	A	8/1995 Uskaly et al.	6,028,400	A	2/2000 Pol et al.
5,463,287	A	10/1995 Kurihara et al.	6,037,720	A	3/2000 Wong et al.
5,471,130	A	11/1995 Agiman	6,038,149	A	3/2000 Hiraoka et al.
5,475,284	A	12/1995 Lester et al.	6,040,661	A	3/2000 Bogdan
5,475,285	A	12/1995 Konopka	6,040,662	A	3/2000 Asayama
5,479,337	A	12/1995 Voigt	6,043,609	A	3/2000 George et al.
5,485,057	A	1/1996 Smallwood et al.			

US 8,223,117 B2

Page 3

6,049,177 A	4/2000	Felper	6,515,881 B2	2/2003	Chou et al.
6,069,448 A	5/2000	Yeh	6,521,879 B1	2/2003	Rand et al.
6,072,282 A	6/2000	Adamson	6,522,558 B2	2/2003	Henry
6,091,209 A	7/2000	Hilgers	6,531,831 B2	3/2003	Chou et al.
6,104,146 A	8/2000	Chou et al.	6,534,934 B1	3/2003	Lin et al.
6,108,215 A	8/2000	Kates et al.	6,559,606 B1	5/2003	Chou et al.
6,111,370 A	8/2000	Parra	6,563,479 B2	5/2003	Weindorf et al.
6,114,814 A	9/2000	Shannon et al.	6,570,344 B2	5/2003	Lin
6,121,733 A	9/2000	Nilssen	6,570,347 B2	5/2003	Kastner
6,127,785 A	10/2000	Williams	6,583,587 B2	6/2003	Ito et al.
6,127,786 A	10/2000	Moisin	6,593,703 B2	7/2003	Sun
6,137,240 A	10/2000	Bogdan	6,628,093 B2	9/2003	Stevens
6,144,359 A *	11/2000	Grave 345/102	6,630,797 B2	10/2003	Qian et al.
6,150,772 A	11/2000	Crane	6,633,138 B2	10/2003	Shannon et al.
6,157,143 A	12/2000	Bigio et al.	6,642,674 B2	11/2003	Liao et al.
6,160,362 A	12/2000	Shone et al.	6,650,514 B2	11/2003	Schmitt
6,169,375 B1	1/2001	Moisin	6,654,268 B2	11/2003	Choi
6,172,468 B1	1/2001	Hollander	6,664,744 B2	12/2003	Dietz
6,181,066 B1	1/2001	Adamson	6,680,834 B2	1/2004	Williams
6,181,083 B1	1/2001	Moisin	6,703,998 B1	3/2004	Kabel et al.
6,181,084 B1	1/2001	Lau	6,707,264 B2	3/2004	Lin et al.
6,188,183 B1	2/2001	Greenwood et al.	6,710,555 B1	3/2004	Terada et al.
6,188,553 B1	2/2001	Moisin	6,717,372 B2	4/2004	Lin et al.
6,194,841 B1	2/2001	Takahashi et al.	6,717,375 B2	4/2004	Noguchi et al.
6,198,234 B1	3/2001	Henry	6,724,602 B2	4/2004	Giannopoulos
6,198,236 B1	3/2001	O'Neill	6,765,354 B2	7/2004	Klien
6,211,625 B1	4/2001	Nilssen	6,781,325 B2	8/2004	Lee
6,215,256 B1	4/2001	Ju	6,784,627 B2	8/2004	Suzuki et al.
6,218,788 B1	4/2001	Chen et al.	6,803,901 B1	10/2004	Numao
6,229,271 B1	5/2001	Liu	6,804,129 B2	10/2004	Lin
6,239,558 B1	5/2001	Fujimura et al.	6,809,718 B2	10/2004	Wei et al.
6,252,355 B1	6/2001	Meldrum et al.	6,809,938 B2	10/2004	Lin et al.
6,255,784 B1	7/2001	Weindorf	6,815,906 B1	11/2004	Aarons et al.
6,259,215 B1	7/2001	Roman	6,816,142 B2	11/2004	Oda et al.
6,259,615 B1	7/2001	Lin	6,856,099 B2	2/2005	Chen et al.
6,281,636 B1	8/2001	Okutsu et al.	6,856,519 B2	2/2005	Lin et al.
6,281,638 B1	8/2001	Moisin	6,864,867 B2	3/2005	Biebl
6,291,946 B1	9/2001	Hinman	6,870,330 B2	3/2005	Choi
6,294,883 B1	9/2001	Weindorf	6,876,157 B2	4/2005	Henry
6,307,765 B1	10/2001	Choi	6,897,698 B1	5/2005	Gheorghiu et al.
6,310,444 B1	10/2001	Chang	6,900,599 B2	5/2005	Ribarich
6,313,586 B1	11/2001	Yamamoto et al.	6,900,600 B2	5/2005	Rust et al.
6,316,881 B1	11/2001	Shannon et al.	6,900,993 B2	5/2005	Lin et al.
6,316,887 B1	11/2001	Ribarich et al.	6,922,023 B2	7/2005	Hsu et al.
6,317,347 B1	11/2001	Weng	6,930,893 B2	8/2005	Vinciarelli
6,320,329 B1	11/2001	Wacyk	6,936,975 B2	8/2005	Lin et al.
6,323,602 B1	11/2001	De Groot et al.	6,947,024 B2	9/2005	Lee et al.
6,331,755 B1	12/2001	Ribarich et al.	6,967,449 B2	11/2005	Ishihara
6,340,870 B1	1/2002	Yamashita et al.	6,967,657 B2	11/2005	Lowles et al.
6,344,699 B1	2/2002	Rimmer	6,969,958 B2	11/2005	Henry
6,351,080 B1	2/2002	Birk et al.	6,979,959 B2	12/2005	Henry
6,356,035 B1	3/2002	Weng	7,026,860 B1	4/2006	Gheorghiu et al.
6,359,393 B1	3/2002	Brown	7,057,611 B2	6/2006	Lin et al.
6,362,577 B1	3/2002	Ito et al.	7,075,245 B2	7/2006	Liu
6,388,388 B1	5/2002	Weindorf et al.	7,095,392 B2	8/2006	Lin
6,396,217 B1	5/2002	Weindorf	7,120,035 B2	10/2006	Lin et al.
6,396,722 B2	5/2002	Lin	7,151,394 B2	12/2006	Gheorghiu et al.
6,417,631 B1	7/2002	Chen et al.	7,183,724 B2	2/2007	Ball
6,420,839 B1	7/2002	Chiang et al.	7,187,140 B2	3/2007	Ball
6,424,100 B1	7/2002	Kominami et al.	7,190,123 B2	3/2007	Lee
6,429,839 B1	8/2002	Sakamoto	7,202,458 B2	4/2007	Park
6,433,492 B1	8/2002	Buonavita	7,233,117 B2	6/2007	Wang et al.
6,441,943 B1	8/2002	Roberts et al.	7,236,020 B1	6/2007	Virgil
6,445,141 B1	9/2002	Kastner et al.	7,468,722 B2	12/2008	Ferguson
6,452,344 B1	9/2002	MacAdam et al.	7,755,595 B2	7/2010	Ferguson
6,459,215 B1	10/2002	Nerone et al.	2001/0036096 A1	11/2001	Lin
6,459,216 B1	10/2002	Tsai	2002/0030451 A1	3/2002	Moisin
6,469,922 B2	10/2002	Choi	2002/0097004 A1	7/2002	Chiang et al.
6,472,827 B1	10/2002	Nilssen	2002/0114114 A1	8/2002	Schmitt
6,472,876 B1	10/2002	Notohamiprodjo et al.	2002/0118182 A1	8/2002	Weindorf
6,479,810 B1	11/2002	Weindorf	2002/0130786 A1	9/2002	Weindorf
6,483,245 B1	11/2002	Weindorf	2002/0135319 A1	9/2002	Bruning et al.
6,486,618 B1	11/2002	Li	2002/0140538 A1	10/2002	Yer
6,494,587 B1	12/2002	Shaw et al.	2002/0145886 A1	10/2002	Stevens
6,495,972 B1	12/2002	Okamoto et al.	2002/0153852 A1	10/2002	Liao et al.
6,501,234 B2	12/2002	Lin et al.	2002/0171376 A1	11/2002	Rust et al.
6,507,286 B2	1/2003	Weindorf et al.	2002/0180380 A1	12/2002	Lin
6,509,696 B2	1/2003	Bruning et al.	2002/0180572 A1	12/2002	Kakehashi et al.
6,515,427 B2	2/2003	Oura et al.	2002/0181260 A1	12/2002	Chou et al.

US 8,223,117 B2

Page 4

2002/0195971	A1	12/2002	Qian et al.	
2003/0001524	A1	1/2003	Lin et al.	
2003/0020677	A1	1/2003	Nakano	
2003/0025462	A1	2/2003	Weindorf	
2003/0080695	A1	5/2003	Ohsawa	
2003/0090913	A1	5/2003	Che-Chen et al.	
2003/0117084	A1	6/2003	Stack	
2003/0141829	A1	7/2003	Yu	
2003/0161164	A1	8/2003	Shannon et al.	
2003/0227435	A1	12/2003	Hsieh	
2004/0000879	A1	1/2004	Lee	
2004/0012556	A1	1/2004	Yong et al.	
2004/0017348	A1	1/2004	Numao	
2004/0032223	A1	2/2004	Henry	
2004/0051473	A1	3/2004	Jales et al.	
2004/0095402	A1*	5/2004	Nakano	346/102
2004/0145558	A1	7/2004	Cheng	
2004/0155596	A1	8/2004	Ushijima	
2004/0155853	A1	8/2004	Lin	
2004/0189217	A1	9/2004	Ishihara et al.	
2004/0227719	A1	11/2004	Chang et al.	
2004/0257003	A1	12/2004	Hsieh et al.	
2004/0263092	A1	12/2004	Liu	
2005/0057484	A1	3/2005	Diefenbaugh et al.	
2005/0062436	A1	3/2005	Jin	
2005/0093471	A1	5/2005	Jin	
2005/0093472	A1	5/2005	Jin	
2005/0093482	A1	5/2005	Ball	
2005/0093483	A1	5/2005	Ball	
2005/0093484	A1	5/2005	Ball	
2005/0099143	A1	5/2005	Kohno	
2005/0156536	A1	7/2005	Ball	
2005/0156539	A1	7/2005	Ball	
2005/0156540	A1	7/2005	Ball	
2005/0162098	A1	7/2005	Ball	
2005/0218825	A1	10/2005	Chiou	
2005/0225261	A1	10/2005	Jin	
2006/0022612	A1	2/2006	Henry	
2006/0049959	A1	3/2006	Sanchez	
2006/0158136	A1	7/2006	Chen	
2009/0091560	A1	4/2009	Ferguson	

FOREIGN PATENT DOCUMENTS

EP	0587923	3/1994
EP	0597661	5/1994
EP	0647021	9/1994
JP	06168791	6/1994
JP	8-204488	8/1996
KR	10-2003-0075461	10/2003
TW	554643	9/2003
TW	8-204488	12/2003
TW	200501829	1/2005
WO	WO 94/15444	7/1994
WO	WO 98/09369	3/1998
WO	WO 9941953	8/1999
WO	WO 0237904	5/2002

OTHER PUBLICATIONS

Jordan et al., Resonant Fluorescent Lamp Converter Provides Efficient and Compact Solution, Mar. 1993, pp. 424-431.

UNITRODE Datasheet, Resonant Fluorescent Lamp Driver, UC 1871/2871/3871, May 1993, pp. 1-6.

UNITRODE Product & Applications Handbook 1993-94, U-141, Jun. 1993, pp. i-ii; 9-471-9-478.

Williams, Jim, Techniques for 92% Efficient LCD Illumination, Linear Technology Application Note 55, Aug. 1993.

UNITRODE Datasheet, Resonant Fluorescent Lamp Driver, UC 1871/2871/3871, Oct. 1994, pp. 1-6.

O'Connor, J., Dimmable Cold-Cathode Fluorescent Lamp Ballast Design Using the UC3871, Application Note U-148, pp. 1-15, 1995.

Goodenough, Frank, DC-to-AC Inverter Ups CCFL Lumens Per Watt, Electronic Design, Jul. 10, 1995, pp. 143-148.

Coles, Single Stage CCFL Backlight Resonant Inverter using PWM Dimming Methods, 1998, pp. 35-38.

Micro Linear, ML4878 Single-Stage CCFL Backlight Resonant Inverter, Application Note 68, May 1998, pp. 1-12.

Williams, B.W.; "Power Electronics Devices, Drivers, Applications and Passive Components"; Second Edition, McGraw-Hill, 1992; Chapter 10, pp. 218-249.

Bradley, D.A., "Power Electronics" 2nd Edition; Chapman & Hall, 1995; Chapter 1, pp. 1-38.

Dubey, G. K., "Thyristorised Power Controllers"; Halsted Press, 1986; pp. 74-77.

IEEE Publication, "Dual Switched Mode Power Converter": Pallab Midya & Fred H. Schlereth; p. 155 1989.

IEEE Publication, "High Frequency Resonant Inverter for Group Dimming Control of Fluorescent Lamp Lighting Systems", K.H. Jee, et al., 1989 149-154.

Int. J. Electronics, "New soft-switching inverter for high efficiency electronic ballast with simple structure" E.C. Nho, et al., 1991, vol. 71, No. 3, 529-541.

Nguyen, Don J., "Optimizing Mobile Power Delivery". Presented at Intel Developers Forum, Fall 2001, p. 4.

Plaintiff O2 Micro International Limited's Preliminary Invalidation Contentions re Third-Party Defendant Microsemi Corporation Patents, dated Sep. 14, 2007.

Third-Party Defendant Microsemi Corporation's Brief in Support of its Claim Construction for U.S. Patent Nos. 5,930,121 and 6,198,234, dated Oct. 19, 2007.

Declaration of Irfan A. Lateef in Support of Third-Party Defendant Microsemi Corporation's Brief in Support of its Claim Construction for U.S. Patent Nos. 5,930,121 and 6,198,234, dated Oct. 19, 2007.

Plaintiff O2 Micro International Limited's Brief in Response to Third-Party Defendant Microsemi Corporation's Brief Re Claim Construction for U.S. Patent Nos. 5,930,121 and 6,198,234, dated Oct. 26, 2007.

Declaration of Henry C. Su in Support of Plaintiff O2 Micro International Limited's Brief in Response to Third-Party Defendant Microsemi Corporation's Brief Re Claim Construction for U.S. Patent Nos. 5,930,121 and 6,198,234, dated Oct. 26, 2007.

Defendant/Counterclaimant Monolithic Power Systems, Inc.'s Notice of Motion and Motion for Summary Judgment of Invalidity of Asserted Claims of U. S. Patent No. 6,198,234, dated Nov. 14, 2005.

Defendant/Counterclaimant Monolithic Power Systems, Inc.'s Memorandum of Points and Authorities in Support of Motion for Summary Judgment of Invalidity of Asserted Claims of U. S. Patent No. 6,198,234, dated Nov. 14, 2005.

Declaration of Robert Mammano filed by Defendant/Counterclaimant Monolithic Power Systems, Inc.'s in Support of Its Motion for Summary Judgment of Invalidity of Asserted Claims of U. S. Patent No. 6,198,234, dated Nov. 14, 2005.

Declaration of John A. O'Connor filed by Defendant/Counterclaimant Monolithic Power Systems, Inc.'s in Support of Its Motion for Summary Judgment of Invalidity of Asserted Claims of U. S. Patent No. 6,198,234, dated Nov. 14, 2005.

Declaration of Defendant/Counterclaimant Monolithic Power Systems, Inc.'s Expert Witness, Dr. Douglas C. Hopkins, In Support of Its Motion for Summary Judgment of Invalidity of Asserted Claims of U. S. Patent No. 6,198,234, dated Nov. 14, 2005.

Declaration of Doyle Slack filed by Defendant/Counterclaimant Monolithic Power Systems, Inc.'s in Support of Its Motion for Summary Judgment of Invalidity of Asserted Claims of U. S. Patent No. 6,198,234, dated Nov. 14, 2005.

Declaration of Dean G. Dunlavey filed by Defendant/Counterclaimant Monolithic Power Systems, Inc.'s in Support of Its Motion for Summary Judgment of Invalidity of Asserted Claims of U. S. Patent No. 6,198,234, dated Nov. 14, 2005.

Declaration of Charles Coles filed by Defendant/Counterclaimant Monolithic Power Systems, Inc.'s in Support of Its Motion for Summary Judgment of Invalidity of Asserted Claims of U. S. Patent No. 6,198,234, dated Nov. 14, 2005.

Plaintiff Microsemi Corporation's Opposition to Defendant/Counterclaimant Monolithic Power Systems, Inc.'s Motion for Summary Judgment of Invalidity of Asserted Claims of U.S. Patent No. 6,198,234, dated Feb. 13, 2006.

Plaintiff Microsemi Corporation's Statement of Genuine Issues in Opposition to Defendant/Counterclaimant Monolithic Power Systems, Inc.'s Motion for Summary Judgment of Invalidity of Asserted Claims of U.S. Patent No. 6,198,234, dated Feb. 13, 2006.

US 8,223,117 B2

Page 5

Defendant/Counterclaimant Monolithic Power Systems, Inc.'s Reply Brief in Support of Motion for Summary Judgment of Invalidity of Asserted Claims of U. S. Patent No. 6,198,234, dated Mar. 13, 2006.

Supplemental Declaration of Dean G. Dunlavey filed by Defendant/Counterclaimant Monolithic Power Systems, Inc.'s in Support of Its Motion for Summary Judgment of Invalidity of Asserted Claims of U. S. Patent No. 6,198,234, dated Mar. 13, 2006.

Defendant/Counterclaimant Monolithic Power Systems, Inc.'s Notice of Motion and Motion for Summary Judgment of Invalidity of Asserted Claims of U. S. Patent No. 5,615,093, dated Nov. 14, 2005.

Defendant/Counterclaimant Monolithic Power Systems, Inc.'s Memorandum of Points and Authorities in Support of Motion for Summary Judgment of Invalidity of Asserted Claims of U. S. Patent No. 5,615,093, dated Nov. 14, 2005.

Plaintiff Microsemi Corporation's Opposition to Defendant/Counterclaimant Monolithic Power Systems, Inc.'s Motion for Summary Judgment of Invalidity of Asserted Claims of U.S. Patent No. 5,615,093, dated Feb. 13, 2006.

Plaintiff Microsemi Corporation's Statement of Genuine Issues in Opposition to Defendant/Counterclaimant Monolithic Power Systems, Inc.'s Motion for Summary Judgment of Invalidity of Asserted Claims of U.S. Patent No. 5,615,093, dated Feb. 13, 2006.

Defendant/Counterclaimant Monolithic Power Systems, Inc.'s Reply Brief in Support of Motion for Summary Judgment of Invalidity of Asserted Claims of U. S. Patent No. 5,615,093, dated Mar. 13, 2006.

PCT International Search Report and Written Opinion mailed Apr. 8, 2008, Appl. No. PCT/US2007/072862 in 12 pages.

* cited by examiner

FIG. 1

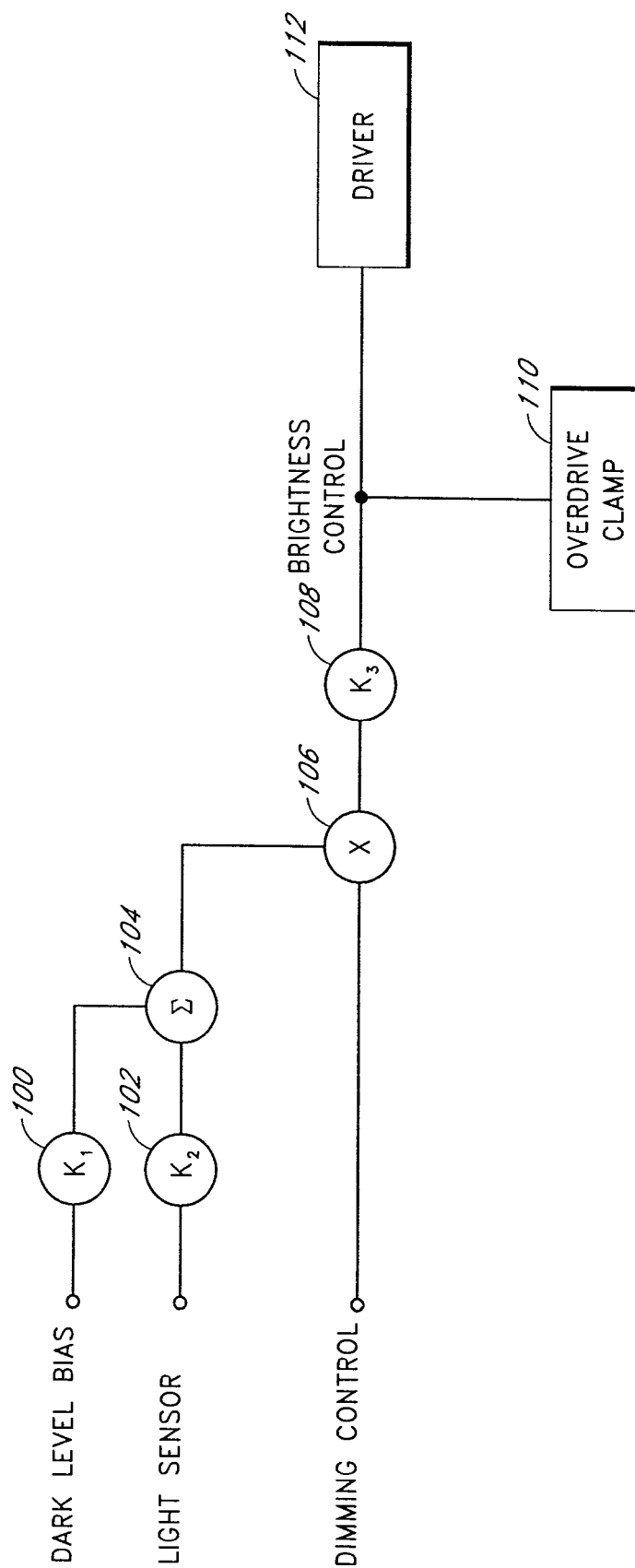


FIG. 2

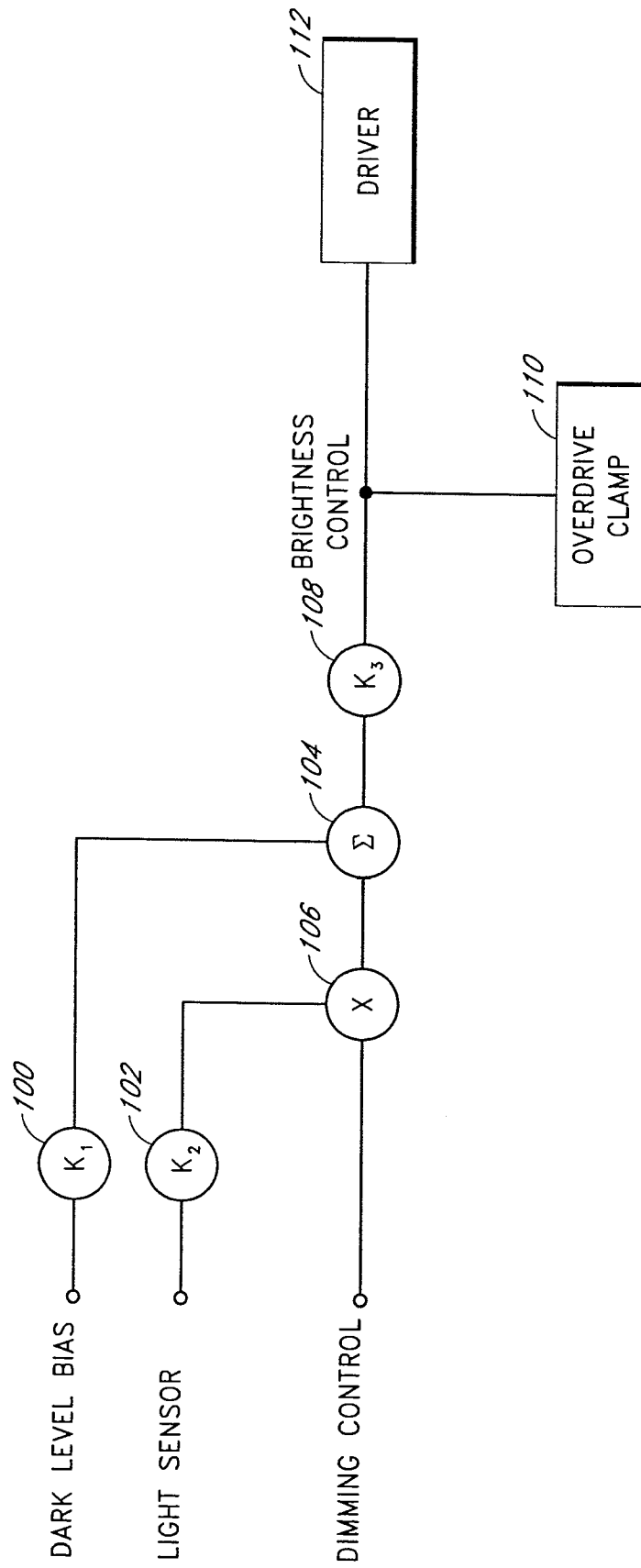


FIG. 3

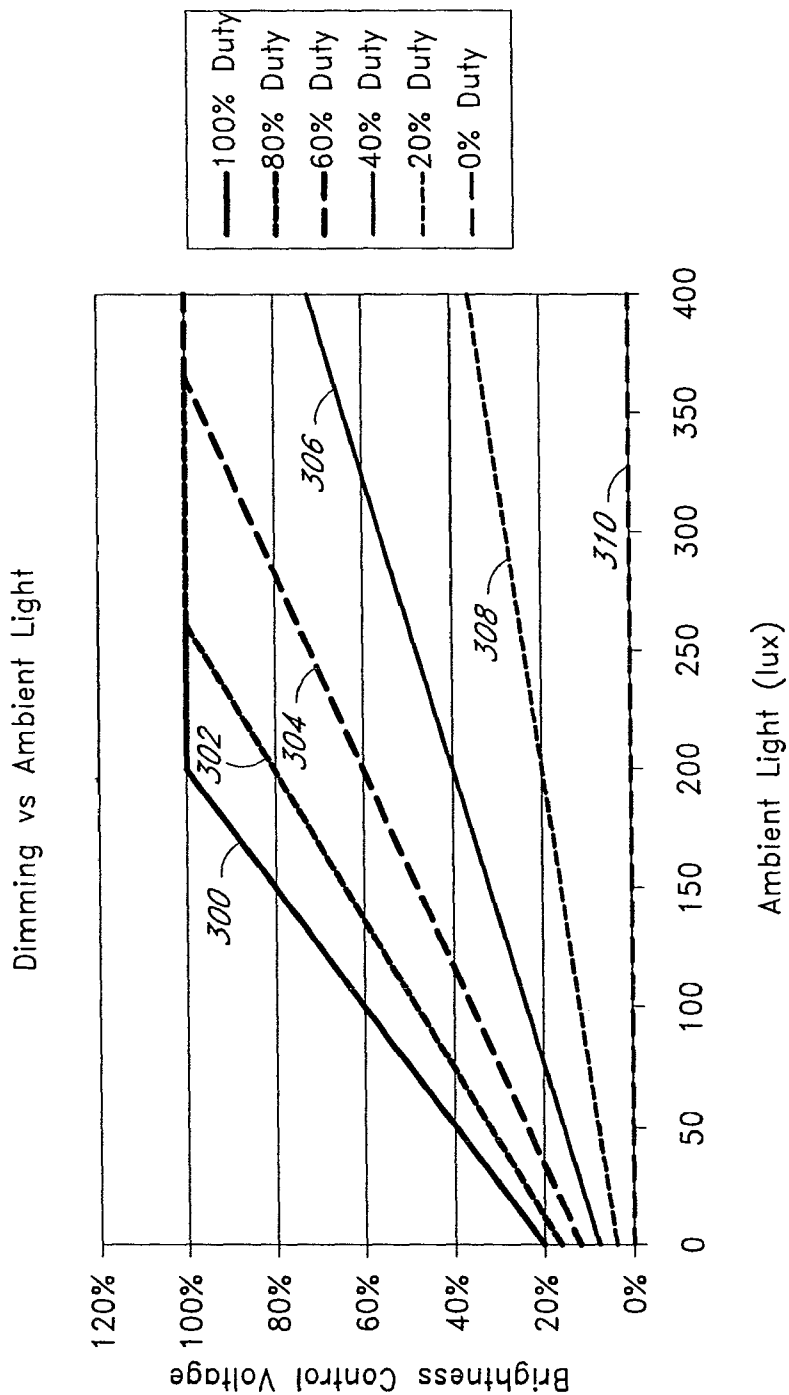


FIG. 4

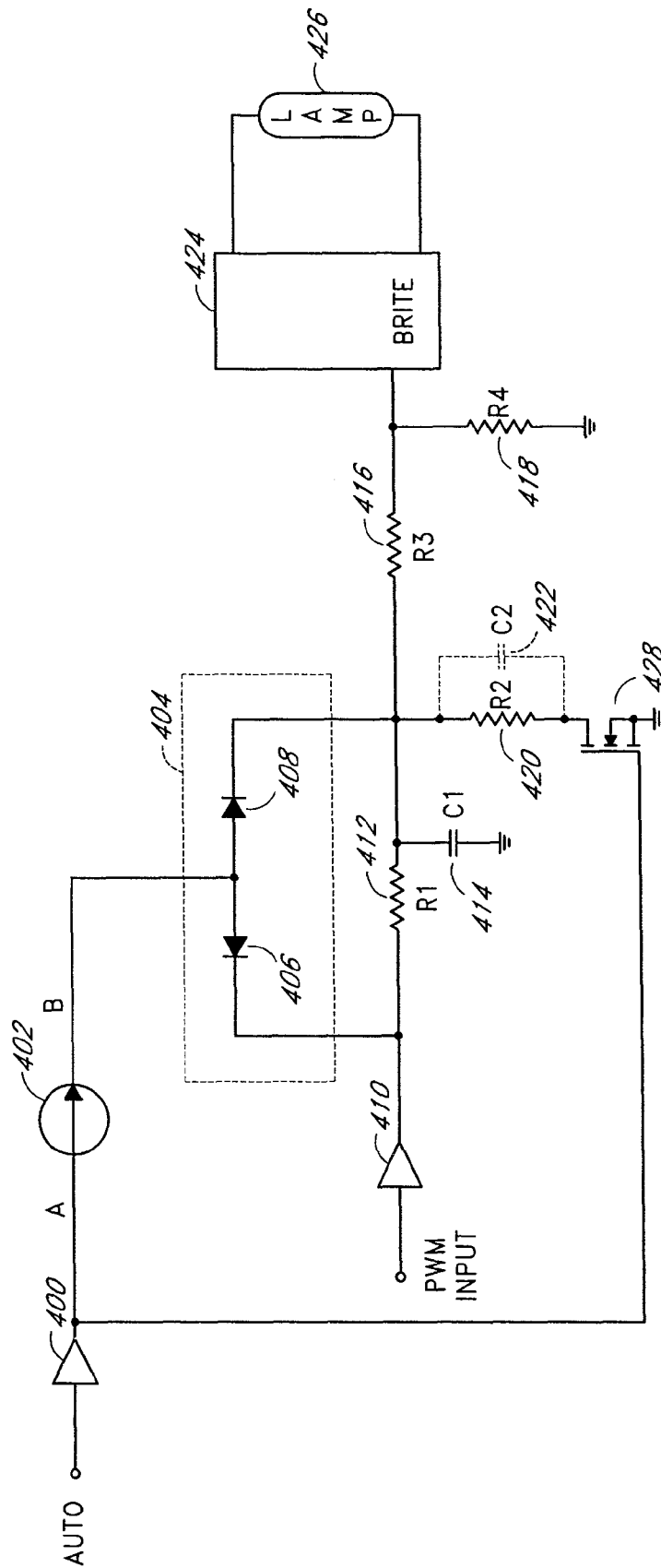


FIG. 5

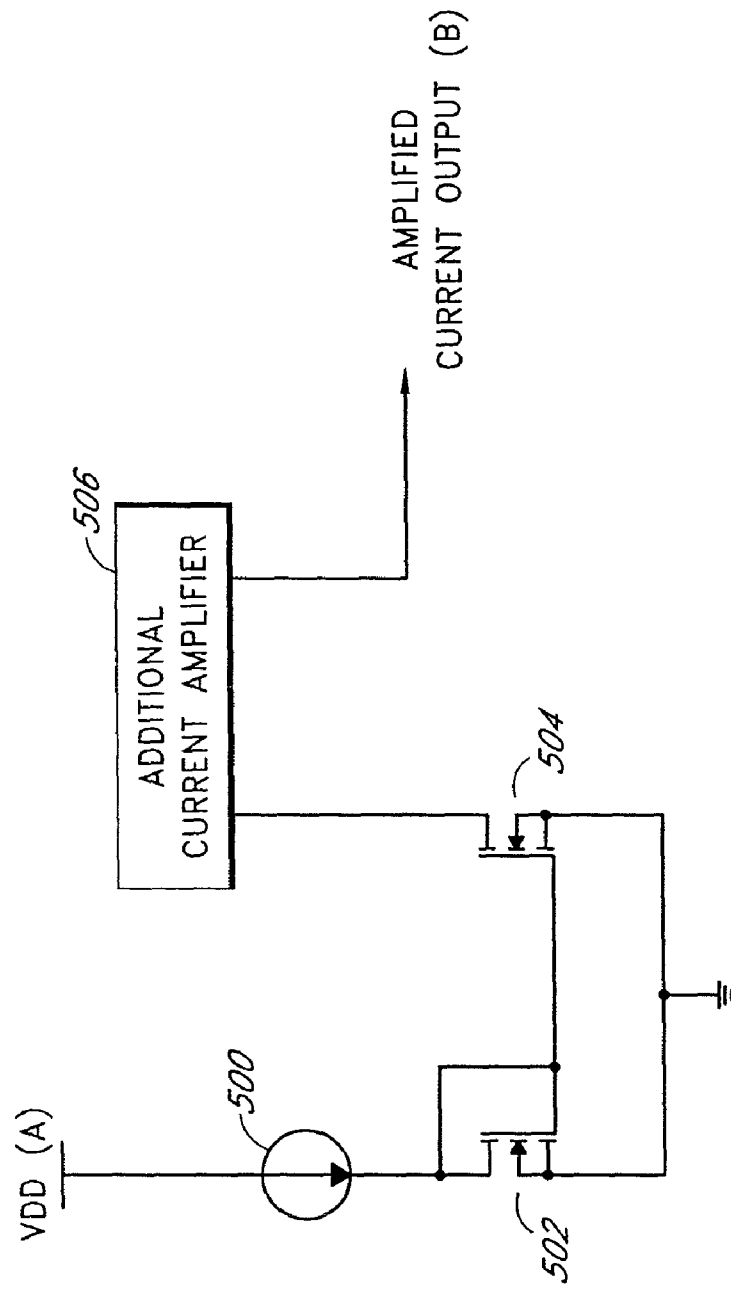


FIG. 6

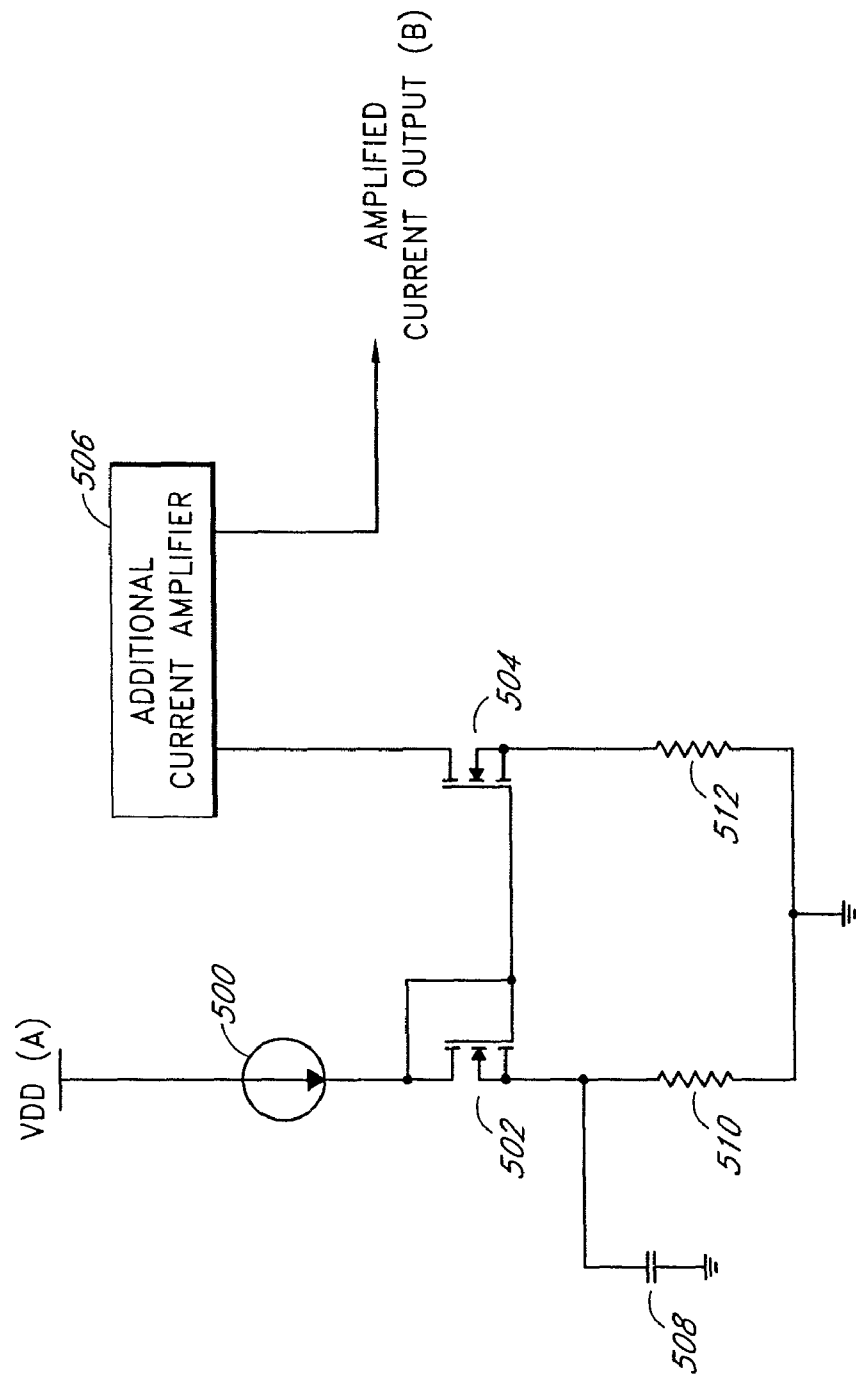


FIG. 7

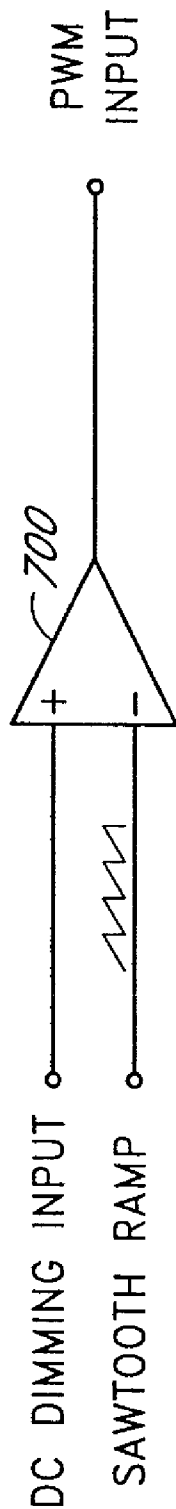
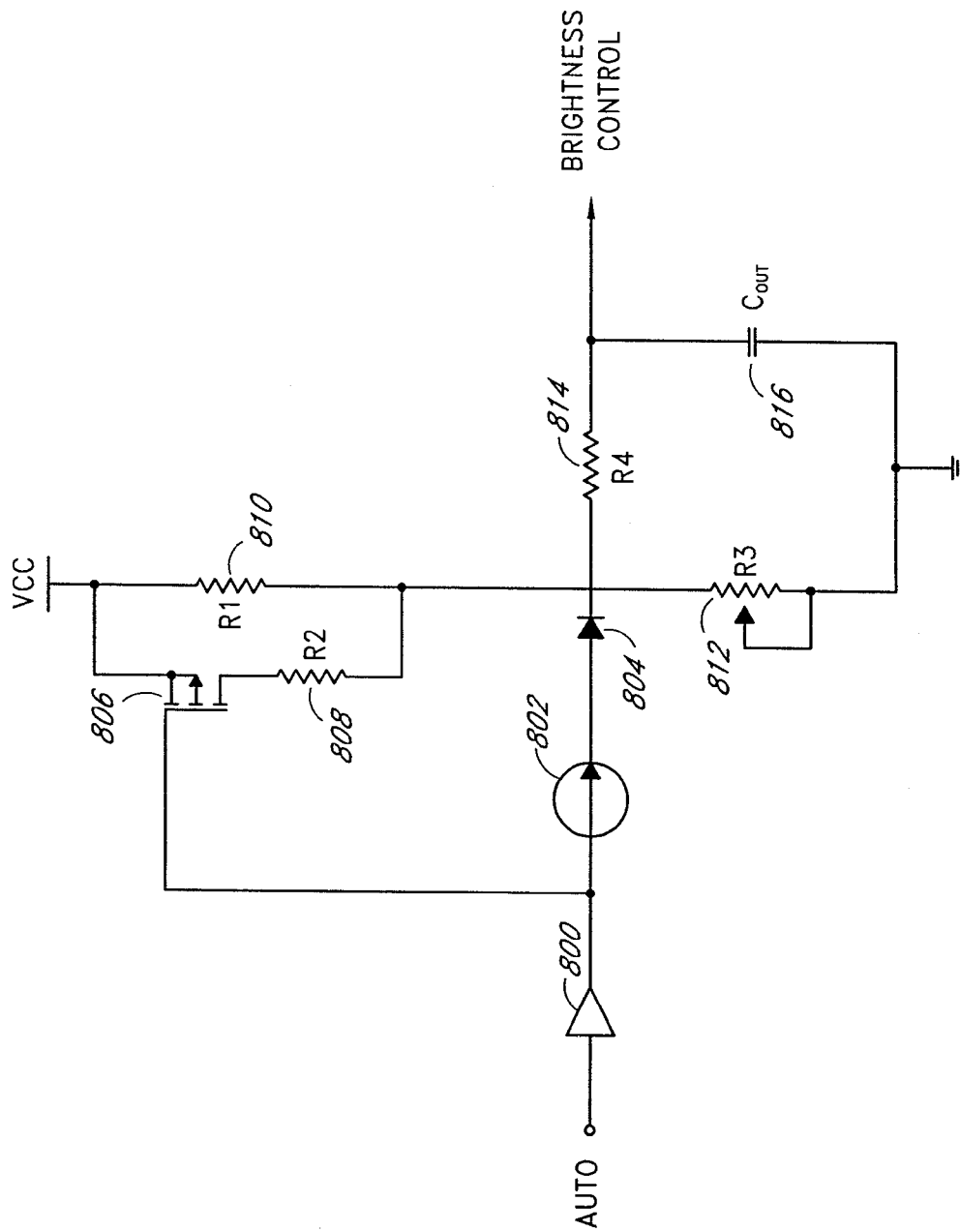


FIG. 8



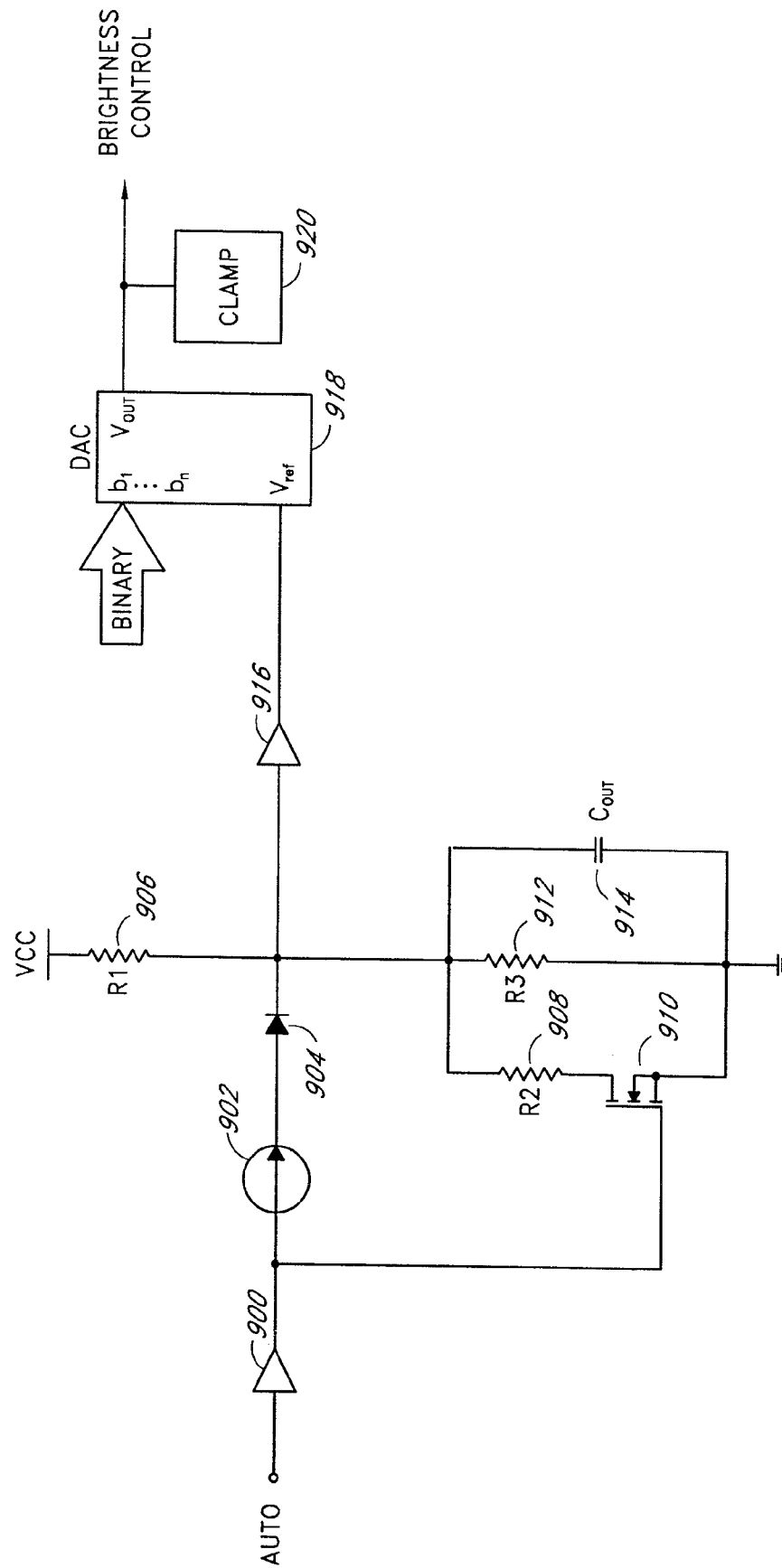
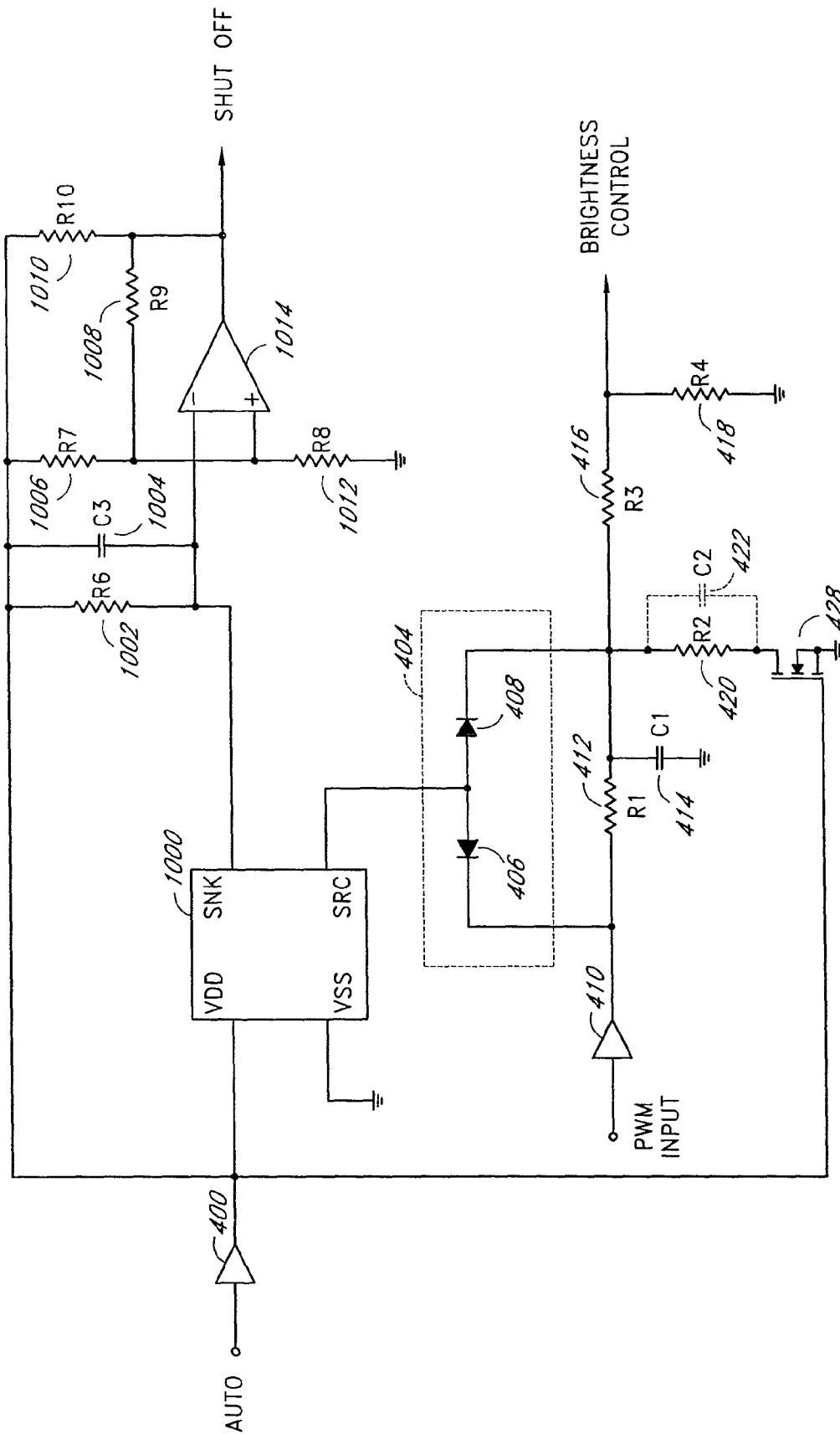


FIG. 9

FIG. 10



US 8,223,117 B2

1

**METHOD AND APPARATUS TO CONTROL
DISPLAY BRIGHTNESS WITH AMBIENT
LIGHT CORRECTION**

CLAIM FOR PRIORITY

This application is a continuation of U.S. patent application Ser. No. 11/023,295, filed on Dec. 27, 2004 and entitled "Method and Apparatus to Control Display Brightness with Ambient Light Correction," which claims the benefit of priority under 35 U.S.C. §119(e) of U.S. Provisional Application No. 60/543,094, filed on Feb. 9, 2004, and entitled "Information Display with Ambient Light Correction," each of which is hereby incorporated by reference herein in their entirety.

BACKGROUND OF THE INVENTION

1. Field of the Invention

The present invention relates to brightness control in a visual information display system, and more particularly relates to adjusting the brightness level to compensate for changes in ambient lighting.

2. Description of the Related Art

Backlight is needed to illuminate a screen to make a visible display in liquid crystal display (LCD) applications. The ability to read the display is hampered under conditions of high ambient room lighting. Ambient lighting reflects off the surface of the LCD and adds a bias to the light produced by the LCD, which reduces the display contrast to give the LCD a washed-out appearance. The condition can be improved by increasing the brightness of the backlight for the LCD, thereby making the light provided by the LCD brighter in comparison to the reflected light off the LCD surface. Thus, the backlight should be adjusted to be brighter for high ambient lighting conditions and less bright for low ambient lighting conditions to maintain consistent perceived brightness.

In battery operated systems, such as notebook computers, it is advantageous to reduce power consumption and extend the run time on a battery between charges. One method of reducing power consumption, and therefore extending battery run time, is to reduce the backlight brightness of a LCD under low ambient lighting conditions. The backlight can operate at a lower brightness level for low ambient lighting conditions because light reflections caused by the ambient light are lower and produce less of a washed-out effect. It is also advantageous to turn down the backlight under low ambient lighting conditions to extend the life of light sources in the backlight system. Typically, the light sources have a longer lifetime between failures if they run at lower brightness levels.

In some LCD applications, an ambient light sensor is used in a closed-loop configuration to adjust the backlight level in response to the ambient light level. These systems usually do not take into account user preferences. These systems are crude in implementation and do not adapt well to user preferences which may vary under various levels of eye fatigue.

SUMMARY OF THE INVENTION

In one embodiment, the present invention is a light sensor control system that provides the capability for a fully automatic and fully adaptable method of adjusting display brightness in response to varying ambient lighting conditions in combination with various user preferences. For example, the mathematical product of a light sensor output and a user selectable brightness control can be used to vary backlight intensity in LCD applications. Using the product of the light

2

sensor output and the user selectable brightness control advantageously offers noticeable user dimming in bright ambient levels. Power is conserved by automatically dimming the backlight in low ambient light levels. The user control feature allows the user to select a dimming contour which works in conjunction with a visible light sensor.

In one embodiment, software algorithm can be used to multiply the light sensor output with the user selectable brightness control. In another embodiment, analog or mixed-signal circuits can be used to perform the multiplication. Digitizing the light sensor output or digital processing to combine the user brightness contour selection with the level of ambient lighting is advantageously not needed. The light sensor control system can be autonomous to a processor for a display device (e.g., a main processor in a computer system of a LCD device).

In one embodiment, a backlight system with selective ambient light correction allows a user to switch between a manual brightness adjustment mode and an automatic brightness adjustment mode. In the manual mode, the user's selected brightness preference determines the backlight brightness, and the user dims or increases the intensity of the backlight as the room ambient light changes. In the automatic mode, the user adjusts the brightness level of the LCD to a desired level, and as the ambient light changes, the backlight automatically adjusts to make the LCD brightness appear to stay consistent at substantially the same perceived level. The automatic mode provides better comfort for the user, saves power under low ambient lighting conditions, and prevents premature aging of light sources in the backlight system.

The mathematical product of a light sensor output and a user selectable brightness control can be similarly used to vary brightness in cathode ray tube (CRT) displays, plasma displays, organic light emitting diode (OLED) displays, and other visual information display systems that do not use backlight for display illumination. In one embodiment, a brightness control circuit with ambient light correction includes a visible light sensor that outputs a sensor current signal in proportion to the level of ambient light, a dimming control input determined by a user, and a multiplier circuit that generates a brightness control signal based on a mathematical product of the sensor current signal and the dimming control input. The brightness control signal is provided to a display driver (e.g., an inverter) to adjust brightness levels of one or more light sources, such as cold cathode fluorescent lamps (CCFLs) or light emitting diodes (LEDs) in a backlight system. The brightness control circuit with ambient light correction advantageously improves ergonomics by maintaining consistent brightness as perceived by the human eye. The brightness control circuit with ambient light correction also reduces power consumption to extend battery life and reduces stress on the light sources to extend product life at low ambient light levels.

In various embodiments, the brightness control circuit further includes combinations of a dark level bias circuit, an overdrive clamp circuit, or an automatic shutdown circuit. The dark level bias circuit maintains the brightness control signal above a predetermined level when the ambient light level decreases to approximately zero. Thus, the dark level bias circuit ensures a predefined (or minimum) brightness in total ambient darkness. The overdrive clamp circuit limits the brightness control signal to be less than a predetermined level. In one embodiment, the overdrive clamp circuit facilitates compliance with input ranges for the display driver. The automatic shutdown circuit turns off the light sources when the ambient light is greater than a predefined level. For example, the automatic shutdown circuit saves power by turn-

US 8,223,117 B2

3

ing off auxiliary light sources when ambient light is sufficient to illuminate a transreflective display.

The visible light sensor changes (e.g., increases or decreases) linearly with the level of ambient light and advantageously has a spectral response that approximates the spectral response of a human eye. In one embodiment, the visible light sensor uses an array of PIN diodes on a single substrate to detect ambient light. For example, an initial current in proportion to the ambient light level is generated from taking the difference between outputs of a full spectrum PIN diode and an infrared sensitive PIN diode. The initial current is amplified by a series of current mirrors to be the sensor current signal. In one embodiment, the initial current is filtered (or bandwidth limited) before amplification to adjust the response time of the visible light sensor. For example, a capacitor can be used to filter the initial current and to slow down the response time of the visible light sensor such that the sensor current signal remain substantially unchanged during transient variations in the ambient light (e.g., when objects pass in front of the display).

In one embodiment, the dimming control input is a pulse-width-modulation (PWM) logic signal that a user can vary from 0%-100% duty cycle. The PWM logic signal can be generated by a microprocessor based on user preference. In one embodiment, the dimming control input indicates user preference using a direct current (DC) signal. The DC signal and a saw-tooth ramp signal can be provided to a comparator to generate an equivalent PWM logic signal. The user preference can also be provided in other forms, such as a potentiometer setting or a digital signal (e.g., a binary word).

As discussed above, the multiplier circuit generates the brightness control signal using a multiplying function to correct for ambient light variations. The brightness control signal takes into account both user preference and ambient light conditions. The brightness control signal is based on the mathematical product of respective signals representing the user preference and the ambient light level.

In one embodiment, the multiplier circuit includes a pair of current steering diodes to multiply the sensor current signal with a PWM logic signal representative of the user preference. The sensor current signal is provided to a network of resistors when the PWM logic signal is high and is directed away from the network of resistors when the PWM logic signal is low. The network of resistors generates and scales the brightness control signal for the backlight driver. At least one capacitor is coupled to the network of resistors and configured as a low pass filter for the brightness control signal.

In one embodiment in which the user preference is indicated by a potentiometer setting, the visible light sensor output drives a potentiometer to perform the mathematical product function. For example, an isolation diode is coupled between the visible light sensor output and the potentiometer. The potentiometer conducts a portion of the sensor current signal to generate the brightness control signal. A network of resistors can also be connected to the potentiometer to scale the brightness control signal. An optional output capacitor can be configured as a low pass filter for the brightness control signal.

In one embodiment in which the user preference is indicated by a digital word, the multiplier circuit includes a digital-to-analog converter (DAC) to receive the digital word and output a corresponding analog voltage as the brightness control signal. The sensor current signal from the visible light sensor is used to generate a reference voltage for the DAC. For example, an isolation diode is coupled between the visible light sensor and a network of resistors. The network of resistors conducts the sensor current signal to generate the refer-

4

ence voltage. An optional capacitor is coupled to the network of resistors as a low pass filter for the reference voltage. The DAC multiplies the reference voltage by the input digital word to generate the analog voltage output.

For the purposes of summarizing the invention, certain aspects, advantages and novel features of the invention have been described herein. It is to be understood that not necessarily all such advantages may be achieved in accordance with any particular embodiment of the invention. Thus, the invention may be embodied or carried out in a manner that achieves or optimizes one advantage or group of advantages as taught herein without necessarily achieving other advantages as may be taught or suggested herein.

BRIEF DESCRIPTION OF THE DRAWINGS

FIG. 1 is a block diagram of one embodiment of a brightness control circuit with ambient light correction.

FIG. 2 is a block diagram of another embodiment of a brightness control circuit with ambient light correction.

FIG. 3 illustrates brightness control signals as a function of ambient light levels for different user settings.

FIG. 4 is a schematic diagram of one embodiment of a brightness control circuit with a multiplier circuit to combine a light sensor output with a user adjustable PWM logic signal.

FIG. 5 illustrates one embodiment of an ambient light sensor.

FIG. 6 illustrates one embodiment of an ambient light sensor with an adjustable response time.

FIG. 7 illustrates conversion of a direct current signal to a PWM logic signal.

FIG. 8 is a schematic diagram of one embodiment of a brightness control circuit with a multiplier circuit to combine a light sensor output with a user adjustable potentiometer.

FIG. 9 is a schematic diagram of one embodiment of a brightness control circuit with a multiplier circuit to combine a light sensor output with a user adjustable digital word.

FIG. 10 is a schematic diagram of one embodiment of a brightness control circuit with automatic shut down when ambient light is above a predetermined threshold.

DETAILED DESCRIPTION OF THE EMBODIMENTS

Embodiments of the present invention will be described hereinafter with reference to the drawings. FIG. 1 is a block diagram of one embodiment of a brightness control circuit with ambient light correction. A user input (DIMMING CONTROL) is multiplied by a sum of a dark level bias (DARK LEVEL BIAS) and a light sensor output (LIGHT SENSOR) to produce a brightness control signal (BRIGHTNESS CONTROL) for a display driver 112. In one configuration, the dark level bias and the light sensor output are adjusted by respective scalar circuits (k1, k2) 100, 102 before being added by a summing circuit 104. An output of the summing circuit 104 and the user input is provided to a multiplier circuit 106. An output of the multiplier circuit 106 can be adjusted by a third scalar circuit (k3) 108 to produce the brightness control signal. An overdrive clamp circuit 110 is coupled to the brightness control signal to limit its amplitude range at the input of the display driver 112.

The display driver 112 can be an inverter for fluorescent lamps or a LED driver that controls backlight illumination of LCDs in portable electronic devices (e.g., notebook computers, cell phones, etc.), automotive displays, electronic dashboards, television, and the like. The brightness control circuit with ambient light correction provides closed-loop adjust-

5

ment of backlight brightness due to ambient light variations to maintain a desired LCD brightness as perceived by the human eye. The brightness control circuit advantageously reduces the backlight brightness under low ambient light conditions to improve efficiency. A visible light sensor detects the ambient light level and generates the corresponding light sensor output. The user input can come from processors in LCD devices. The brightness control circuit with ambient light correction advantageously operates independently of the processors in the LCD devices. The display driver 112 can also be used to control display brightness in CRT displays, plasma displays, OLED displays, and other visual information display systems that do not use backlight for display illumination.

FIG. 2 is a block diagram of another embodiment of a brightness control circuit with ambient light correction. A light sensor output (LIGHT SENSOR) is adjusted by a scalar circuit (k2) 102 and then provided to a multiplier circuit 106. A user input (DIMMING CONTROL) is also provided to the multiplier circuit 106. The multiplier circuit 106 outputs a signal that is the product of the user input and scaled light sensor output. A summing circuit 104 adds the product to a dark level bias (DARK LEVEL BIAS) that has been adjusted by scalar circuit (k1) 100. An output of the summing circuit 104 is adjusted by scalar circuit (k3) 108 to generate a brightness control signal (BRIGHTNESS CONTROL) for a display driver 112. An overdrive clamp 110 is coupled to the brightness control signal to limit its amplitude range at the input of the display driver 112.

The brightness control circuits shown in both FIGS. 1 and 2 automatically adjust the level of the brightness control signal in response to varying ambient light. The configuration of FIG. 2 provides a predefined level of brightness in substantially total ambient darkness and independent of the user input. For example, the output of the multiplier circuit 106, in both FIGS. 1 and 2, is substantially zero if the user input is about zero. The multiplier circuit 106 can be implemented using software algorithm or analog/mixed-signal circuitry. In FIG. 2, the scaled dark level bias is added to the output of the multiplier circuit 106 to provide the predefined level of brightness in this case. This feature may be desired to prevent a user from using the brightness control circuit to turn off a visual information display system.

FIG. 3 illustrates brightness control signals as a function of ambient light levels for different user settings in accordance with the brightness control circuit of FIG. 1. For example, ambient light levels are indicated in units of lux (or lumens/square meter) on a horizontal axis (or x-axis) in increasing order. Brightness control signal levels are indicated as a percentage of a predefined (or full-scale) level on a vertical axis (or y-axis).

Graph 300 shows a first brightness control signal as a function of ambient light level given a first user setting (e.g., 100% duty cycle PWM dimming input). Graph 302 shows a second brightness control signal as a function of ambient light level given a second user setting (e.g., 80% duty cycle PWM dimming input). Graph 304 shows a third brightness control signal as a function of ambient light level given a third user setting (e.g., 60% duty cycle PWM dimming input). Graph 306 shows a fourth brightness control signal as a function of ambient light level given a fourth user setting (e.g., 40% duty cycle PWM dimming input). Graph 308 shows a fifth brightness control signal as a function of ambient light level given a fifth user setting (e.g., 20% duty cycle PWM dimming input). Finally, graph 310 shows a sixth brightness control signal as a function of ambient light level given a sixth user setting (e.g., 0% duty cycle PWM dimming input).

6

Graph 310 lies substantially on top of the horizontal axis in accordance with the sixth user setting corresponding to turning off the visual information display system. For the other user settings (or user adjustable dimming levels), the brightness control signal increases (or decreases) with increasing (or decreasing) ambient light levels. The rate of increase (or decrease) depends on the user setting. For example, higher user settings cause the associated brightness control signals to increase faster as a function of ambient light level. The brightness control signal near zero lux is a function of a dark bias level and also depends on the user setting. In one embodiment, the brightness control signal initially increases linearly with increasing ambient light level and reaches saturation (or 100% of full-scale) after a predetermined ambient light level. The saturation point is different for each user setting. For example, the brightness control signal begins to saturate at about 200 lux for the first user setting, at about 250 lux for the second user setting, and at about 350 lux for the third user setting. The brightness control circuit can be designed for different saturation points and dark bias levels.

FIG. 4 is a schematic diagram of one embodiment of a brightness control circuit with a multiplier circuit to combine a light sensor output with a user adjustable PWM logic signal (PWM INPUT). For example, the user adjustable PWM logic signal varies in duty cycle from 0% for minimum user-defined brightness to 100% for maximum user-defined brightness. A microprocessor can generate the user adjustable PWM logic signal based on user input which can be adjusted in response to various levels of eye fatigue for optimal viewing comfort. In one embodiment, the user adjustable PWM logic signal is provided to an input buffer circuit 410.

The brightness control circuit includes a visible light sensor 402, a pair of current-steering diodes 404, a network of resistors (R1, R2, R3, R4) 412, 420, 416, 418, a filter capacitor (C1) 414, and an optional smoothing capacitor (C2) 422. In one embodiment, the brightness control circuit selectively operates in a manual mode or an auto mode. The manual mode excludes the visible light sensor 402, while the auto mode includes the visible light sensor 402 for automatic adjustment of display brightness as ambient light changes. An enable signal (AUTO) selects between the two modes. For example, the enable signal is provided to a buffer circuit 400. An output of the buffer circuit 400 is coupled to an input (A) of the visible light sensor 402. The output of the buffer circuit 400 is also provided to a gate terminal of a metal-oxide-semiconductor field-effect-transistor (MOSFET) switch 428. The MOSFET switch 428 is an n-type transistor with a source terminal coupled to ground and a drain terminal coupled to a first terminal of the second resistor (R2) 420.

The pair of current-steering diodes 404 includes a first diode 406 and a second diode 408 with commonly connected anodes that are coupled to an output (B) of the visible light sensor 402. The first resistor (R1) 412 is coupled between the respective cathodes of the first diode 406 and the second diode 408. An output of the input buffer circuit 410 is coupled to the cathode of the first diode 406. The filter capacitor 414 is coupled between the cathode of the second diode 408 and ground. A second terminal of the second resistor 420 is coupled to the cathode of the second diode 408. The optional smoothing capacitor 422 is coupled across the second resistor 420. The third and fourth resistors 416, 418 are connected in series between the cathode of the second diode 408 and ground. The commonly connected terminals of the third and fourth resistors 416, 418 provide a brightness control signal to an input (BRITE) of a display driver (e.g., a backlight driver) 424. In one embodiment, the display driver 424 delivers

power to one or more light sources (e.g., fluorescent lamps) **426** coupled across its outputs.

In the auto mode, the enable signal is logic high and the buffer circuit **400** also outputs logic high (or VCC) to turn on the visible light sensor **402** and the MOSFET switch **428**. The visible light sensor **402** outputs a sensor current signal in proportion to sensed ambient light level. The sensor current signal and the user adjustable PWM logic signal are multiplied using the pair of current-steering diodes **404**. For example, when the user adjustable PWM logic signal is high, the sensor current signal flows through the second diode **408** towards the brightness control signal (or output). When the user adjustable PWM logic signal is low, the sensor current signal flows through the first diode **406** away from the output or into the input buffer circuit **410**. The equation for the brightness control signal (BCS1) in the auto mode is:

$$BCS1 = dutycycle \times \left[\left(\frac{VCC \times R2 \times R4}{[(R1 + R2) \times (R3 + R4)] + (R1 \times R2)} \right) + \left(\frac{ISRC \times R1 \times R2 \times R4}{[(R1 + R2) \times (R3 + R4)] + (R1 \times R2)} \right) \right].$$

The term “dutycycle” corresponds to the duty cycle of the user adjustable PWM logic signal. The term “VCC” corresponds to the logic high output from the input buffer circuit **410**. The term “ISRC” corresponds to the sensor current signal. The first major term within the brackets corresponds to a scaled dark bias level of the brightness control signal in total ambient darkness. The second major term within the brackets introduces the effect of the visible light sensor **402**. The network of resistors **412**, **420** **416**, **418** helps to provide the dark bias level and to scale the product of the sensor current signal and the user adjustable PWM logic signal.

For example, the first resistor **412** serves to direct some current from the input buffer circuit **410** to the output in total ambient darkness. The second, third, and fourth resistors **420**, **416**, **418** provide attenuation to scale the brightness control signal to be compatible with the operating range of the display driver **424**. The filter capacitor **414** and the optional smoothing capacitor **422** slow down the response time of the back-light brightness control circuit to reduce flicker typically associated with indoor lighting sources. In the auto mode, the brightness control signal clamps when the voltage at the cathode of the second diode **408** approaches the compliance voltage of the visible light sensor **402** plus a small voltage drop across the second diode **408**.

In the manual mode, the enable signal is logic low. Consequently, the visible light sensor **402** and the MOSFET switch **428** are off. The pair of current-steering diodes **404** isolates the visible light sensor **402** from the rest of the circuit. The off-state of the MOSFET switch **428** removes the influence of the second resistor **420** and the optional smoothing capacitor **422**. The equation for the brightness control signal (BCS2) in the manual mode is:

$$BCS2 = VCC \times dutycycle \times \frac{R4}{(R1 + R3 + R4)}.$$

In the manual mode, the filter capacitor **414** filters the user adjustable PWM logic signal. The brightness control circuit has an option of having two filter time constants, one for the manual mode and one for the auto mode. The time constant for the manual mode is determined by the filter capacitor **414** in combination with the first, third and fourth resistors **412**,

416, **418**. The node impedance presented to the filter capacitor **414** is typically high during the manual mode. The time constant for the auto mode can be determined by the optional smoothing capacitor **422**, which is typically larger in value, to slow down the response of the visible light sensor **402**. The node impedance presented to the optional smoothing capacitor **422** is typically low. The optional smoothing capacitor **422** may be eliminated if the visible light sensor **402** is independently bandwidth limited.

FIG. 5 illustrates one embodiment of an ambient light sensor. The ambient light sensor includes a light detector **500**, a first transistor **502**, a second transistor **504** and an additional current amplifier circuit **506**. The light detector **500** generates an initial current in response to sensed ambient light. The first transistor **502** and the second transistor **504** are configured as current mirrors to respectively conduct and duplicate the initial current. The second transistor **504** can also provide amplification of the duplicated initial current. The additional current amplifier circuit **506** provides further amplification of the current conducted by the second transistor **504** to generate a sensor current signal at an output of the ambient light sensor.

For example, the light detector (e.g., a photodiode or an array of PIN diodes) **500** is coupled between an input (or power) terminal (VDD) and a drain terminal of the first transistor **502**. The first transistor **502** is an n-type MOSFET connected in a diode configuration with a source terminal coupled to ground. The first transistor **502** conducts the initial current generated by the light detector **500**. The second transistor **504** is also an n-type MOSFET with a source terminal coupled to ground. Gate terminals of the first and second transistors **502**, **504** are commonly connected. Thus, the second transistor **504** conducts a second current that follows the initial current and is scaled by the geometric ratios between the first and second transistors **502**, **504**. The additional current amplifier circuit **506** is coupled to a drain terminal of the second transistor **504** to provide amplification (e.g., by additional current mirror circuits) of the second current. The output of the additional current amplifier circuit **506** (i.e., the sensor current signal) is effectively a multiple of the initial current generated by the light detector **500**.

FIG. 6 illustrates one embodiment of an ambient light sensor with an adjustable response time. The ambient light sensor of FIG. 6 is substantially similar to the ambient light sensor of FIG. 5 and further includes a program capacitor **508** and source degeneration resistors **510**, **512**. For example, the source degeneration resistors **510**, **512** are inserted between ground and the respective source terminals of the first and second transistors **502**, **504**. The program capacitor **508** is coupled between the source terminal of the first transistor **502** and ground.

The program capacitor **508** filters the initial current generated by the light detector **500** and advantageously provides the ability to adjust the response time of the ambient light sensor (e.g., by changing the value of the program capacitor **508**). In a closed loop system, such as automatic brightness control for a computer display or television, it may be desirable to slow down the response time of the ambient light sensor so that the automatic brightness control is insensitive to passing objects (e.g., moving hands or a person walking by). A relatively slower response by the ambient light sensor allows the automatic brightness control to transition between levels slowly so that changes are not distracting to the viewer.

The response time of the ambient light sensor can also be slowed down by other circuitry downstream of the ambient light sensor, such as the optional smoothing capacitor **422** in the brightness control circuit of FIG. 4. The brightness control circuit of FIG. 4 has two filter time constants, one for the

US 8,223,117 B2

9

manual mode in which the visible light sensor **402** is not used and another for the auto mode which uses the visible light sensor **402**. In one embodiment, the optional smoothing capacitor **422** is included in the auto mode to slow down the response time of the brightness control circuit to accommodate the visible light sensor **402**.

The optional smoothing capacitor **422** may have an unintentional side effect of slowing down the response time of the brightness control circuit to the user adjustable PWM logic signal. This unintentional side effect is eliminated by using the program capacitor **508** to separately and independently slow down the response time of the ambient light sensor to a desired level. The optional smoothing capacitor **422** can be eliminated from the brightness control circuit which then has one filter time constant for both the auto and manual modes.

The program capacitor **508** can be coupled to different nodes in the ambient light sensor to slow down response time. However, it is advantageous to filter (or limit the bandwidth of) the initial current rather than an amplified version of the initial current because the size and value of the program capacitor **508** can be smaller and lower, therefore more cost-efficient.

FIG. 7 illustrates conversion of a DC signal (DC DIMMING INPUT) to a PWM logic signal (PWM INPUT). The DC signal (or DC dimming interface) is used in some backlight systems to indicate user dimming preference. In one embodiment, a comparator **700** can be used to convert the DC signal to the PWM logic signal used in the brightness control circuit of FIG. 4. For example, the DC signal is provided to a non-inverting input of the comparator **700**. A periodic sawtooth signal (SAWTOOTH RAMP) is provided to an inverting input of the comparator **700**. The periodic sawtooth signal can be generated using a C555 timer (not shown). The comparator **700** outputs a PWM signal with a duty cycle determined by the level of the DC signal. Other configurations to convert the DC signal to the PWM logic signal are also possible.

FIG. 8 is a schematic diagram of one embodiment of a brightness control circuit with a multiplier circuit to combine a light sensor output with a user adjustable potentiometer ($R3$) **812**. Some display systems use the potentiometer **812** for user dimming control. The brightness control circuit configures a visible light sensor **802** to drive the potentiometer **812** with a current signal proportional to ambient light to generate a brightness control signal (BRIGHTNESS CONTROL) at its output.

For example, the potentiometer **812** has a first terminal coupled to ground and a second terminal coupled to a supply voltage (VCC) via a first resistor ($R1$) **810**. A second resistor ($R2$) **808** in series with a p-type MOSFET switch **806** are coupled in parallel with the first resistor **810**. The second terminal of the potentiometer **812** is also coupled to an output of visible light sensor **802** via an isolation diode **804**. The isolation diode **804** has an anode coupled to the output of the visible light sensor **802** and a cathode coupled to the second terminal of the potentiometer **812**. A fourth resistor ($R4$) **814** is coupled between the second terminal of the potentiometer **812** and the output of the brightness control circuit. A capacitor (Cout) **816** is coupled between the output of the brightness control circuit and ground.

In one embodiment, the brightness control circuit of FIG. 8 selectively operates in an auto mode or a manual mode. An enable signal (AUTO) indicates the selection of operating mode. The enable signal is provided to a buffer circuit **800**, and an output of the buffer circuit **800** is coupled to an input of the visible light sensor **802** and a gate terminal of the p-type MOSFET switch **806**. When the enable signal is logic high to

10

indicate operation in the auto mode, the buffer circuit **800** turns on the visible light sensor **802** and disables (or turns off) the p-type MOSFET switch **806**. Turning off the p-type MOSFET switch **806** effectively removes the second resistor **808** from the circuit. The equation for the brightness control signal (BCS3) at the output of the brightness control circuit during auto mode operation is:

$$BCS3 = \left[VCC \times \frac{R3}{(R1 + R3)} \right] + \left[ISRC \times \frac{(R1 \times R3)}{(R1 + R3)} \right]$$

The first major term in brackets of the above equation corresponds to the brightness control signal in total ambient darkness. The second major term in brackets introduces the effect of the visible light sensor **802**. The maximum range for the brightness control signal in the auto mode is determined by the compliance voltage of the visible light sensor **802**.

The enable signal is logic low to indicate operation in the manual mode, and the buffer circuit **800** turns off the visible light sensor **802** and turns on the p-type MOSFET switch **806**. Turning on the p-type MOSFET switch **806** effectively couples the second resistor **808** in parallel with the first resistor **810**. The equation for the brightness control signal (BCS4) at the output of the brightness control circuit during manual mode operation is:

$$BCS4 = VCC \times \frac{R3 \times (R1 + R2)}{(R1 \times R2) + (R1 \times R3) + (R2 \times R3)}$$

FIG. 9 is a schematic diagram of one embodiment of a brightness control circuit with a multiplier circuit to combine a light sensor output with a user adjustable digital word. Some display systems use a DAC **918** for dimming control. A binary input (bn . . . b1) is used to indicate user dimming preference. The DAC **918** generates an analog voltage (Vout) corresponding to the binary input. The analog voltage is the brightness control signal at an output of the brightness control circuit. In one embodiment, a voltage clamp circuit **920** is coupled to the output brightness control circuit to limit the range of the brightness control signal.

The value of the analog voltage also depends on a reference voltage (Vref) of the DAC **918**. In one embodiment, the reference voltage is generated using a sensor current signal from a visible light sensor **902** that senses ambient light. For example, the visible light sensor **902** drives a network of resistors ($R1$, $R2$, $R3$) **906**, **902**, **912** through an isolation diode **904**. An output of the visible light sensor **902** is coupled to an anode of the isolation diode **904**. The first resistor ($R1$) **906** is coupled between a supply voltage (VCC) and a cathode of the isolation diode **904**. The second resistor ($R2$) **908** is coupled in series with a semiconductor switch **910** between the cathode of the isolation diode **904** and ground. The third resistor ($R3$) **912** is coupled between the cathode of the isolation diode **904** and ground. An optional capacitor **914** is coupled in parallel with the third resistor **912** to provide filtering. An optional buffer circuit **916** is coupled between the cathode of the isolation diode **904** and the reference voltage input of the DAC **918**.

The brightness control circuit of FIG. 9 can be configured for manual mode operation with the visible light sensor **902** disabled or for auto mode operation with the visible light sensor **902** enabled. An enable signal (AUTO) is provided to a buffer circuit **900** to make the selection between auto and manual modes. An output of the buffer circuit **900** is provided

US 8,223,117 B2

11

to an input of the visible light sensor **902** and to a gate terminal of the semiconductor switch **910**.

When the enable signal is logic high to select auto mode operation, the visible light sensor **902** is active and the semiconductor switch **910** is on to effectively couple the second resistor **908** in parallel with the third resistor **912**. In the auto mode, the equation for the brightness control signal (BCS5) at the output of the DAC **918** is:

$$BCS5 = \text{binary \% fullscale} \times \left[\left(\frac{[VCC \times (R2 \times R3)] + [ISRC \times R1 \times R2 \times R3]}{(R1 \times R2) + (R1 \times R3) + (R2 \times R3)} \right) \right]$$

When the enable signal is logic low to select manual mode operation, the visible light sensor **902** is disabled and the semiconductor switch **910** is off to effectively remove the second resistor **908** from the circuit. In the manual mode, the equation for the brightness control signal (BCS6) at the output of the DAC **918** is:

$$BCS6 = \text{binary \% fullscale} \times VCC \times \frac{R3}{(R1 + R3)}$$

FIG. **10** is a schematic diagram of one embodiment of a brightness control circuit with automatic shut down when ambient light is above a predetermined threshold. When lighting transfective displays, it may be preferred to shut off auxiliary light sources (e.g., backlight or frontlight) when ambient lighting is sufficient to illuminate the display. In addition to generating the brightness control signal (BRIGHTNESS CONTROL), the brightness control circuit of FIG. **10** includes a shut down signal (SHUT OFF) to disable the backlight or the frontlight when the ambient light level is above the predetermined threshold.

The brightness control circuit of FIG. **10** advantageously uses a visible light sensor **1000** with two current source outputs that produce currents that are proportional to the sensed ambient light. The two current source outputs include a sourcing current (SRC) and a sinking current (SNK). The sourcing current is used to generate the brightness control signal. By way of example, the portion of the circuit generating the brightness control signal is substantially similar to the brightness control circuit shown in FIG. **4** and is not further discussed.

The sinking current is used to generate the shut down signal. In one embodiment, a comparator **1014** generates the shut down signal. A resistor (R6) **1002** is coupled between a selective supply voltage and the sinking current output of the visible light sensor **1000** to generate a comparison voltage for an inverting input of the comparator **1014**. A low pass filter capacitor (C3) **1004** is coupled in parallel with the resistor **1002** to slow down the reaction time of the sinking current output to avoid triggering on 60 hertz light fluctuations. A resistor (R7) **1006** coupled in series with a resistor (R8) **1012** between the selective supply voltage and ground generates a threshold voltage for a non-inverting input of the comparator **1014**. A feedback resistor (R9) coupled between an output of the comparator **1014** and the non-inverting input of the comparator **1014** provides hysteresis for the comparator **1014**. A pull-up resistor (R10) is coupled between the selective supply voltage and the output of the comparator **1014**. The selective supply voltage may be provided by the output of the buffer circuit **400** which also enables the visible light sensor **1000**.

12

When the ambient level is relatively low, the sinking current is relatively small and the voltage drop across the resistor **1002** conducting the sinking current is correspondingly small. The comparison voltage at the inverting input of the comparator **1014** is greater than the threshold voltage at the non-inverting input of the comparator, and the output of the comparator **1014** is low. When the ambient level is relatively high, the sinking current is relatively large and the voltage drop across the resistor **1002** is also large. The comparison voltage at the inverting input of the comparator **1014** becomes less than the threshold voltage and the comparator **1014** outputs logic high to activate the shut down signal. Other configurations may be used to generate the shut down signal based on the sensed ambient light level.

While certain embodiments of the inventions have been described, these embodiments have been presented by way of example only, and are not intended to limit the scope of the inventions. Indeed, the novel methods and systems described herein may be embodied in a variety of other forms; furthermore, various omissions, substitutions and changes in the form of the methods and systems described herein may be made without departing from the spirit of the inventions. The accompanying claims and their equivalents are intended to cover such forms or modifications as would fall within the scope and spirit of the inventions.

What is claimed is:

1. A brightness control circuit with selective ambient light correction comprising:

- a first input configured to receive a user signal indicative of a user selectable brightness setting;
- a light sensor configured to sense ambient light and to output a sensing signal indicative of the ambient light level;
- a multiplier configured to selectively generate a combined signal based on both the user signal and the sensing signal; and
- a dark level bias configured to adjust the combined signal to generate a brightness control signal that is used to control a brightness level of a visible display such that the brightness control signal is maintained above a predetermined level when the ambient light level decreases to approximately zero.

2. The brightness control circuit of claim **1**, wherein the dark level bias is provided to the multiplier such that the amount of adjustment to the combined signal is dependent on the user selectable brightness setting.

3. The brightness control circuit of claim **2**, wherein the multiplier multiplies a sum of the user signal and the sensing signal by the dark level bias to generate an output signal corresponding to the brightness control signal.

4. The brightness control circuit of claim **1**, wherein the dark level bias is added to the combined signal such that the amount of adjustment to the combined signal is independent of the user selectable brightness setting.

5. The brightness control circuit of claim **4**, wherein the dark level bias is added to an output of the multiplier.

6. The brightness control circuit of claim **1**, further comprising an overdrive clamp circuit coupled to the brightness control signal to limit its amplitude to a predefined range.

7. The brightness control circuit of claim **1**, wherein the brightness control signal is provided to a display driver to control backlight illumination of a liquid crystal display.

8. The brightness control circuit of claim **7**, further comprising a shut down circuit configured to turn off the display driver when the sensing signal is above a predetermined threshold.

US 8,223,117 B2

13

9. The brightness control circuit of claim 1, further comprising a second input configured to receive a selection signal to selectively operate the brightness control circuit in an auto mode or a manual mode, wherein the selection signal enables the light sensor in the auto mode and disables the light sensor in the manual mode.

10. The brightness control circuit of claim 1, wherein the multiplier is implemented with a pair of current-steering diodes having commonly connected anodes coupled to the sensing signal and respective cathodes coupled to the user signal and a network of resistors to generate the brightness control signal.

11. The brightness control circuit of claim 1, wherein the user signal corresponds to a setting of a user adjustable potentiometer, and the multiplier is implemented with an isolation diode having an anode coupled to the sensing signal and a cathode coupled to the user adjustable potentiometer and a network of resistors to generate the brightness control signal.

12. The brightness control circuit of claim 1, wherein the user signal corresponds to a digital word, and the multiplier is implemented with a digital-to-analog converter configured to receive the digital word and a reference signal determined by the sensing signal to generate the brightness control signal.

13. The brightness control circuit of claim 1, wherein the light sensor comprises a full spectrum PIN diode, an infrared sensitive PIN diode, and an amplifier configured to generate the sensing signal based on a difference between an output of the full spectrum PIN diode and an output of the infrared sensitive PIN diode.

14. The brightness control circuit of claim 13, wherein the light sensor further comprises a low pass filter to reduce sensitivity to transient variations of ambient light.

15. A method to selectively provide ambient light correction, said method comprising:
receiving a user input signal indicative of a user selectable brightness setting;

14

selectively multiplying the input signal with a sense signal to generate a combined signal, wherein the sense signal indicates an ambient light level; and
adjusting the combined signal with a dark level bias to generate a brightness control signal for controlling brightness of a visible display such that the brightness control signal is maintained above a predetermined level when the ambient light level decreases to approximately zero.

16. The method of claim 15, wherein the step of selectively multiplying the input signal with the sense signal is performed by a software algorithm, an analog circuit, or a mixed-signal circuit.

17. The method of claim 15, wherein the dark level bias is added to the sense signal before selective multiplication such that the amount of adjustment to the combined signal is dependent on the input signal.

18. The method of claim 15, wherein the dark level bias is added to the combined signal after selective multiplication such that the amount of adjustment to the combined signal is independent of the input signal and the sense signal.


19. A brightness control circuit comprising:
means for receiving an input signal indicative of a user selectable brightness setting;
means for sensing ambient light to generate a sense signal indicative of the ambient light level;
means for multiplying the input signal with the sense signal to generate a combined signal; and
means for adjusting the combined signal with a dark level bias to generate a brightness control signal that is maintained above a minimum level when the ambient light level decreases to approximately zero.

20. The brightness control circuit of claim 19, further comprising means for selectively operating in a manual mode or an auto mode, wherein the means for sensing ambient light is enabled in the auto mode and disabled in the manual mode.

* * * * *

EXHIBIT B



Tech specs 


Technical Specs




Nintendo Switch – OLED Model




Nintendo Switch




Nintendo Switch Lite



Nintendo Switch dock with LAN port



Nintendo Switch dock



Joy-Con™ controllers



Joy-Con Strap



Joy-Con Grip

Nintendo Switch™ – OLED Model



<p>Size</p>	<p>4 inches high, 9.5 inches long, and 0.55 inches deep (with Joy-Con attached) *The depth from the tip of the analog sticks to the tip of the ZL/ZR buttons is 1.12 inches</p>
<p>Weight</p>	<p>Approximately .71 lbs (Approximately .93 lbs with Joy-Con controllers attached)</p>
<p>Screen</p>	<p>Multi-touch capacitive touch screen / 7.0 inch OLED screen / 1280x720</p>
<p>CPU/GPU</p>	<p>NVIDIA Custom Tegra processor</p>
<p>Storage</p>	<p>64 GB Users can easily expand storage space using microSDHC or microSDXC cards up to 2TB (sold separately).</p>

Wireless	Wi-Fi (IEEE 802.11 a/b/g/n/ac compliant) / Bluetooth 4.1
Video output	Up to 1080p via HDMI in TV mode Up to 720p via built-in screen in Tabletop mode and Handheld modes
Audio output	Compatible with 5.1ch Linear PCM output Output via HDMI connector in TV mode
Speakers	Stereo
Buttons	Power button / Volume button
USB connector	USB Type-C Used for charging or for connecting to the Nintendo Switch dock.
Headphone/mic jack	3.5mm 4-pole stereo (CTIA standard)
Game card slot	Nintendo Switch game cards
microSD card slot	Compatible with microSD, microSDHC, and microSDXC memory cards *Once the microSDXC card is inserted, a system update will be necessary. An internet connection is required to perform this system update.

Sensor	Accelerometer, gyroscope, and brightness sensor
Operating environment	41-95 degrees F / 20-80% humidity
Internal battery	Lithium-ion battery / 4310mAh
Battery life	Approximately 4.5 - 9 hours The battery life will depend on the games you play. For instance, the battery will last approximately 5.5 hours for <i>The Legend of Zelda: Breath of the Wild</i> .
Power Consumption	<p>TV mode <i>Playing a game:</i> Approx. 6W <i>Watching a video:</i> Approx. 5W <i>On the main menu:</i> Approx. 3W <i>Sleep mode*:</i> Approx. 0.3W <i>Sleep mode**:</i> Approx. 2.2W <i>Power off:</i> Approx. 0.3W</p> <p>Handheld & Tabletop modes <i>Playing a game:</i> Approx. 4W <i>Watching a video:</i> Approx. 3W <i>On the main menu:</i> Approx. 2W <i>Sleep mode:</i> Approx. 0.03W <i>Power off:</i> Less than 0.01W</p> <p>*Wired internet connection setting is off **Wired internet connection setting is on Power consumption varies depending on software and usage conditions</p>
Charging time	Approximately 3 hours *When charging while the hardware is in sleep mode



Nintendo Switch™ console (HAC-001(-01))

Size	Approximately 4 inches high, 9.4 inches long, and 0.55 inches deep (with Joy-Con attached) *The depth from the tip of the analog sticks to the tip of the ZL/ZR buttons is 1.12 inches
Weight	Approximately .66 lbs (Approximately .88 lbs when Joy-Con controllers are attached)
Screen	Multi-touch capacitive touch screen / 6.2-inch LCD Screen / 1280 x 720
CPU/GPU	NVIDIA Custom Tegra processor
Storage	32 GB of internal storage, a portion of which is reserved for use by the system. Users can easily expand storage space using microSDHC or microSDXC cards up to 2TB (sold separately).
Wireless	Wi-Fi (IEEE 802.11 a/b/g/n/ac)(*) Bluetooth 4.1 (*In TV mode, Nintendo Switch systems can be connected with a wired LAN adapter - sold separately)

Video output	Up to 1080p via HDMI in TV mode Up to 720p via built-in screen in tabletop mode and handheld mode
Audio output	Compatible with 5.1ch Linear PCM output Output via HDMI connector in TV mode
Speakers	Stereo
Buttons	Power button / Volume button
USB connector	USB Type-C Used for charging or for connecting to the Nintendo Switch dock.
Headphone/mic jack	3.5mm 4-pole stereo (CTIA standard)
Game card slot	Nintendo Switch game cards
microSD card slot	Compatible with microSD, microSDHC, and microSDXC memory cards *Once the microSDXC card is inserted, a system update will be necessary. An Internet connection is required to perform this system update.
Sensor	Accelerometer, gyroscope, and brightness sensor

Operating environment	41-95 degrees F / 20-80% humidity
Internal battery	Lithium-ion battery/4310mAh
Battery life	<p>Approximately 4.5 - 9 hours</p> <p>*The battery life will depend on the games you play. For instance, the battery will last approximately 5.5 hours for <i>The Legend of Zelda: Breath of the Wild</i>.</p>
Power Consumption	<p>TV mode</p> <p><i>Playing a game:</i> Approx. 7W <i>Watching a video:</i> Approx. 6W <i>On the main menu:</i> Approx. 3W <i>Sleep mode:</i> Approx. 0.3W <i>Power off:</i> Approx. 0.3W</p> <p>Handheld & Tabletop modes</p> <p><i>Playing a game:</i> Approx. 4W <i>Watching a video:</i> Approx. 3W <i>On the main menu:</i> Approx. 2W <i>Sleep mode:</i> Approx. 0.03W <i>Power off:</i> Less than 0.01W</p> <p>Power consumption varies depending on software and usage conditions</p>
Charging time	<p>Approximately 3 hours</p> <p>*When charging while the hardware is in sleep mode</p>

Nintendo Switch Lite (HDH-001)

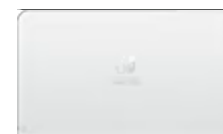


Size	Approximately 3.6 inches high, 8.2 inches long, and .55 inches deep *The depth from the tip of the analog sticks to the tip of the ZL/ZR buttons is 1.12 inches
Weight	Approx. .61 lbs
Screen	Capacitive touch screen / 5.5 inch LCD / 1280x720 resolution
CPU/GPU	NVIDIA Custom Tegra processor
Storage	32 GB of internal storage, a portion of which is reserved for use by the system. Users can easily expand storage space using microSDHC or microSDXC cards up to 2TB (sold separately).
Wireless	Wi-Fi (IEEE 802.11 a/b/g/n/ac) Bluetooth 4.1 / NFC (near field communication)
Speakers	Stereo
Buttons	Left Stick Right Stick A B X Y L R ZL ZR + - Buttons + Control Pad Power Button Volume Button HOME Button Capture Button

USB connector	USB Type-C Used for charging only.
Headphone/mic jack	3.5mm 4-pole stereo (CTIA standard)
Game card slot	Nintendo Switch game cards
microSD card slot	Compatible with microSD, microSDHC and microSDXC memory cards. *Once the microSDXC card is inserted, a system update will be necessary. An Internet connection is required to perform this system update.
Sensor	Accelerometer / gyroscope
Operating environment	41-95 degrees F / 20-80% humidity
Internal battery	Lithium ion battery / battery capacity 3570mAh
Battery life	Model number: HDH-001 Approx. 3.0 to 7.0 hours *The battery life will depend on the games you play. For instance, the battery will last approximately 4 hours for <i>The Legend of Zelda: Breath of the Wild</i> .
Power Consumption	Handheld & Tabletop modes <i>Playing a game:</i> Approx. 4W <i>Watching a video:</i> Approx. 3W <i>On the main menu:</i> Approx. 2W

	<p><i>Sleep mode:</i> Approx. 0.03W <i>Power off:</i> Less than 0.01W</p> <p>Power consumption varies depending on software and usage conditions</p>
Charging time	<p>Approximately 3 hours</p> <p>*When charging while the hardware is in sleep mode</p>

Nintendo Switch dock with LAN port



Size	Approximately 4.1 inches high, 6.9 inches long, and 2.0 inches deep
Weight	Approximately .69 lbs
Output	<p>USB Port (USB 2.0 compatible) x2 on the side</p> <p>System connector</p> <p>AC adapter port</p> <p>HDMI port</p> <p>Wired LAN port (LAN cable sold separately.)</p>

Nintendo Switch™ dock



Size	Approximately 4.1 inches high, 6.8 inches long, and 2.12 inches deep
-------------	--

Weight	Approximately .72 lbs
Output	USB Port (USB 2.0 compatible) x2 on the side, 1 on the back System connector AC adapter port HDMI port

Joy-Con™ controllers



	Joy-Con [L]	Joy-Con [R]
Size	Approximately 4.1 inches high, 6.8 inches long, and 2.12 inches deep	
Weight	1.7 oz	1.8 oz
Buttons	Left Stick Up down left right L ZL SL SR - Buttons Capture Button Release Button Sync Button	Right Stick A B X Y R ZR SL SR + Buttons HOME Button Release Button Sync Button
Wireless	Bluetooth 3.0	Bluetooth 3.0/NFC
Sensor	Accelerometer Gyroscope	Accelerometer Gyroscope IR Motion Camera

Vibration	HD Rumble
Battery Life	Approximately 20 hours *This is an estimate. The battery life may be shortened depending on the usage.
Charging Time	Approximately 3 hours 30 minutes * Joy-Con controllers are charged by attaching them to a console or charging grip connected to a power supply.

Joy-Con Strap



Size	Approximately 3.98 inches high, 0.57 inches long, and 0.55 inches deep
Weight	Approximately .66 oz

Joy-Con Grip



Size	Approximately 3.98 inches high, 5.67 inches long, and 1.58 inches deep
Weight	Approximately .21 lbs



About Nintendo

[Careers](#)

[Corporate Social Responsibility](#)

Shop

[Games](#)

[Hardware](#)

[Merchandise](#)

[Sales & deals](#)

[Exclusives](#)

[Online service](#)

[Nintendo NY store](#)

My Nintendo Store orders

[Order details](#)

[Shipping info](#)

[Returns & exchanges](#)

[FAQ](#)

Support

[Nintendo Switch](#)

[Nintendo Account](#)

[Other systems](#)

[Repairs](#)

[Nintendo product recycling](#)

Parents

[Info for parents](#)

[Parental controls](#)

Community

[Community guidelines](#)

[Online safety principles](#)

Privacy

[Privacy policy](#)

[Cookies and interest-based ads](#)



© Nintendo. Games are property of their respective owners.
Nintendo of America Inc. Headquarters are in Redmond, Washington, USA

[Contact us](#) [Website feedback](#) [Terms of Use](#) [Legal](#) [Site map](#)



[Change region](#)

EXHIBIT C

Customer Support

[Login](#)

[My Support Dashboard](#)

new!

[Nintendo Switch Family](#)
[Other Systems](#)
[Accounts & My Nintendo](#)
[Digital Purchases](#)
[Search Support](#)


Using & Troubleshooting

[Getting Started](#)
[System Settings](#)
[Audio, Video & Touch Screen](#)
[Controllers & Accessories](#)
[Power & Charging](#)
[Transfer Games & Save Data](#)
[Games & Apps](#)
[Parental Controls](#)
[Internet Connection](#)
[Nintendo Switch Online](#)

[Nintendo Switch Family](#)
[Using & Troubleshooting](#)
[Audio, Video & Touch Screen](#)

How to Adjust Screen Brightness

Applies to: Nintendo Switch Family, Nintendo Switch, Nintendo Switch Lite, Nintendo Switch - OLED Model

In this article, you'll learn how to adjust the screen brightness settings on a Nintendo Switch system.

Important: Auto-brightness is unavailable on Nintendo Switch Lite. Screen brightness can only be adjusted manually on this system.

Complete these steps



Which system are you using?

 Nintendo Switch - OLED Model

 Nintendo Switch

 Nintendo Switch Lite


Note

- Screen brightness can be adjusted only while in handheld mode or tabletop mode.
- When **Auto-Brightness** is enabled, the screen brightness will adjust based on ambient conditions.

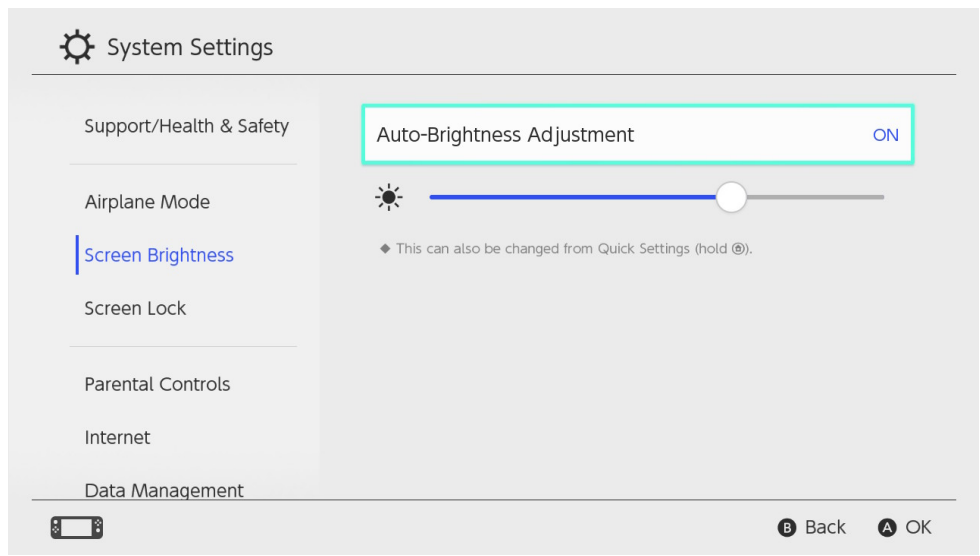
Screen brightness can be adjusted in the following ways:

From the Quick Settings Menu.

1. Press and hold down the HOME Button for at least one second to open the Quick Settings Menu.
2. Enable/disable Auto-Brightness, or manually adjust the screen brightness by sliding the brightness level bar.

From Within System Settings.

from the HOME Menu, select **System Settings**, then **Screen Brightness**, then **Auto-Brightness Adjustment**, and finally select **On** or manually adjust the screen brightness by sliding the brightness level bar.



The Auto-Brightness Adjustment setting being displayed in the Screen Brightness menu within the Nintendo Switch System Settings

Was this helpful?

About Nintendo

- Company Info
- Careers
- CSR Report
- IP Policy
- Sitemap

Where to Buy

- Game Store
- List of Online Retailers
- Nintendo NY Store
- Nintendo Store

Support

- Warranty
- Nintendo Switch Family
- Nintendo 3DS Family
- Repair
- Third-Party Product Information
- Nintendo Product Recycling

Community & Parents

- Community & Parents
- Info for Parents
- Parental Controls
- Online Safety Principles
- Community Guidelines

Documents & Policies

- Nintendo Documents & Policies
- Health & Safety Precautions
- Wireless Regulatory Info
- Terms of Use
- Product Manuals

Privacy

- Privacy Policy
- Cookies and Interest-Based Ads

Change Language

Contact Us



EXHIBIT D

Q&A

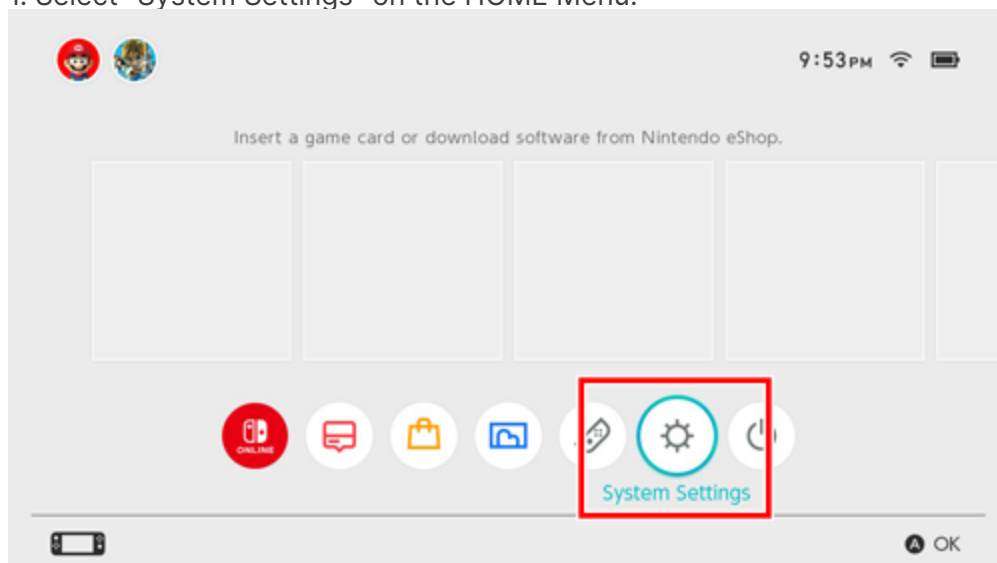
[Switch] How can I adjust the screen brightness?

You can adjust your console's screen brightness via "System Settings" → "Screen Brightness" on the HOME Menu.

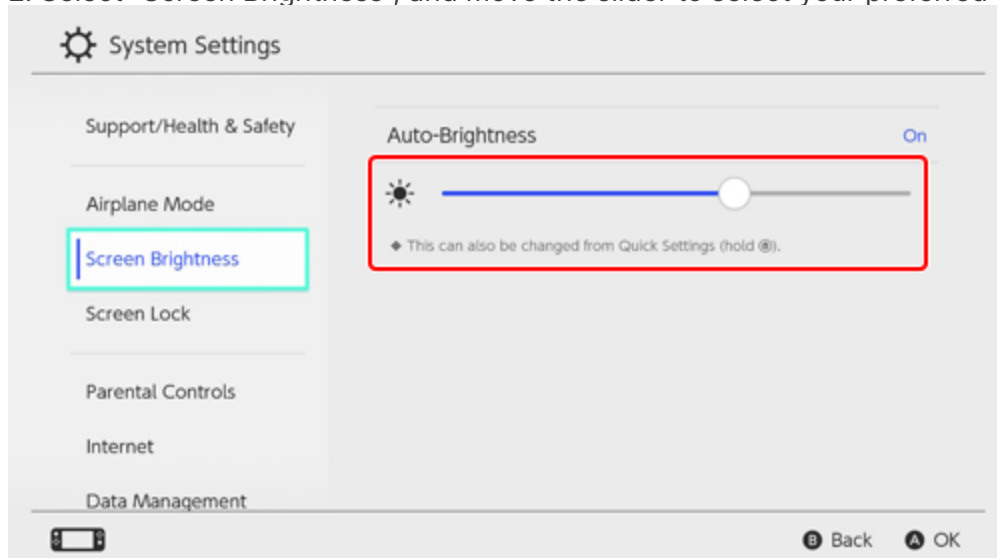
* When playing in TV Mode, you should adjust the brightness using your television's settings.

How to adjust the brightness of the console screen

1. Select "System Settings" on the HOME Menu.



2. Select "Screen Brightness", and move the slider to select your preferred brightness level.



* You can also alter the brightness via Quick Settings (accessed by holding the HOME Button).

* When playing in TV Mode, the "Screen Brightness" setting cannot be changed.

[▶ See all Q&A list](#)