

1 LAW OFFICES OF MARC LIBARLE
Marc Libarle (CABN: 071678)
2 1388 Sutter St, Ste 910
3 San Francisco, CA 94109
Phone: (415) 928-2400
4 Email: ml7006@gmail.com

5 HALLER LAW PLLC
Timothy J. Haller (*Pro Hac Vice Pending*)
6 230 E Delaware Pl, Ste 5E
7 Chicago, IL 60611
Phone: (630) 336-4283
8 Email: haller@haller-iplaw.com

9 *Attorneys for Plaintiff, BelAir Electronics, Inc.*

10
11 **UNITED STATES DISTRICT COURT**
CENTRAL DISTRICT OF CALIFORNIA
12 **WESTERN DIVISION**

13 **BELAIR ELECTRONICS, INC.,**

14 **Plaintiff,**

15 **v.**

16 **CELLCASESUSA, INC.,**

17 **Defendant.**

Case No.

**COMPLAINT FOR PATENT
INFRINGEMENT**

18
19 Plaintiff BelAir Electronics, Inc. complains of Defendant CellCasesUSA, Inc. as follows, all
20 upon Plaintiff’s best information and belief:

21 **NATURE OF LAWSUIT**

22 1. This is a claim for patent infringement arising under the patent laws of the United States,
23 Title 35 of the United States Code.

24 **THE PARTIES**

25 2. Plaintiff BelAir Electronics, Inc. (“BelAir” or “Plaintiff”) is an Illinois corporation with
26 its principal place of business at 5723 Antler Lane, Westmont, Illinois 60559.

1 3. BelAir is the named assignee of, owns all right, title and interest in, and has standing to
2 sue for infringement of United States Patent No. 7,941,195, entitled “Protective Mask of Mobile Phone,”
3 which issued on May 10, 2011 (the “‘195 Patent”) (a true and correct copy is attached as Exhibit A); and
4 United States Patent No. 10,097,676, entitled “Protective Mask of Mobile Phone,” which issued on
5 October 9, 2018 (the “‘676 Patent”) (a true and correct copy is attached as Exhibit B) (collectively, the
6 “Patents-in-Suit”).

7 4. BelAir has the exclusive right to license and enforce the ‘195 and ‘676 Patents and to
8 collect all damages for infringement. BelAir also has standing to sue for infringement of the ‘195 and
9 ‘676 Patents.

10 5. Upon information and belief, Defendant CellCasesUSA, Inc. (“CCU” or “Defendant”) is
11 a domestic California corporation with a principal place of business at 20793 Valley Boulevard, Suite A,
12 Walnut, California 91789.



13
14
15
16
17
18 6. In furtherance of Plaintiff’s review and analysis prior to filing this action, Plaintiff
19 studied Defendant’s publicly-available product literature and, among other things, purchased an “Apple
20 iPhone 11 Tiger Polkadots Design Double Layer Phone Case Cover,” an “Apple iPhone 12 Pro Max He
21 Is Risen Text Easter Jesus Christian Flowers Double Layer Phone Case Cover,” and a “Samsung Galaxy
22 S21 Ultra Love Like Jesus Flower Text Christian Double Layer Phone Case Cover” from Defendant’s
23 website for assessment as representatives of the products identified in Exhibit C.

24 7. Defendant primarily advertises and sells Accused Products at <https://cellcasesusa.com/>
25 and related urls in the cellcasesusa.com domain.

26 8. Defendant offers for sale and sells the Accused Products (as further identified below) for
27 mobile devices throughout the United States and this Judicial District.

JURISDICTION AND VENUE

1
2 9. BelAir’s claims for patent infringement against Defendant arise under the patent laws of
3 the United States including 35 U.S.C. §§ 271 and 281. Consequently, this Court has original and
4 exclusive subject matter jurisdiction over this Complaint pursuant to 28 U.S.C. §§ 1331 and 1338(a).

5 10. Defendant owns, operates and conducts business in the state of California and directs
6 advertisements at residents of California – which are covered by claims of the Patents-in-Suit – and
7 throughout the United States including California and this judicial district.

8 11. CCU is a registered California corporation, currently doing business in this judicial
9 district, has purposefully availed itself of the privilege of conducting business with residents of this
10 judicial district, has purposefully reached out to residents of this judicial district, and has established
11 sufficient minimum contacts with the State of California such that it should reasonably and fairly
12 anticipate being haled into court in California.

13 12. Venue in this judicial district is proper under 28 U.S.C. § 1400(b) because CCU resides
14 in this Judicial District.

THE ACCUSED PRODUCTS

15
16 13. Defendant has infringed certain claims of the Patents-in-Suit through the manufacture,
17 sale, offer for sale, advertisement, importation, shipment, distribution, and/or use of Defendant’s
18 protective masks for mobile devices (herein referred to as the “Accused Products”).

19 14. As presently advised, the Accused Products include Defendant’s “Phone Cases” for at
20 least the following mobile devices: Apple iPhone 13 Pro Max; Apple iPhone 13 Pro; Apple iPhone 13;
21 Apple iPhone 13 Mini; Apple iPhone 12 Pro Max; Apple iPhone 12 Pro; Apple iPhone 12; Apple
22 iPhone 12 Mini; Apple iPhone 11 Pro Max; Apple iPhone 11 Pro; Apple iPhone 11; Apple iPhone Xs
23 Max; Apple iPhone Xs; Apple iPhone X; Apple iPhone XR; Apple iPhone 7 Plus; Apple iPhone 8 Plus;
24 Apple iPhone 7; Apple iPhone 8; Apple iPhone SE; Apple iPhone 6S Plus; Apple iPhone 6S; LG K92;
25 LG Stylo 6; LG K51; LG Aristo 5; LG K31; LG Fortune 3; LG Aristo 4 PLUS; LG Escape PLUS; LG
26 Tribute Royal; LG K40; LG Harmony 3; LG Stylo 5; LG Stylo 4; LG G7 ThinQ; LG Aristo 2; LG
27 Aristo 3; LG Risio 3; LG Fortune 2; LG Tribute Dynasty; LG Empire; Samsung Galaxy A22; Samsung
28

1 Galaxy A13; Samsung Galaxy A02S; Samsung Galaxy S21 Ultra; Samsung Galaxy S21 Plus; Samsung
2 Galaxy S21; Samsung Galaxy Note 20 Ultra; Samsung Galaxy Note 20; Samsung Galaxy A51;
3 Samsung Galaxy A12; Samsung Galaxy A02; Samsung Galaxy A72; Samsung Galaxy A21; Samsung
4 Galaxy A52; Samsung Galaxy A32; Samsung Galaxy A71 5G; Samsung Galaxy A71 4G; Samsung
5 Galaxy A01; Samsung Galaxy A11; Samsung Galaxy S20 Ultra; Samsung Galaxy S20 Plus; Samsung
6 Galaxy S20; Samsung Galaxy Note 10 Plus; Samsung Galaxy Note 10; Samsung Galaxy A20; Samsung
7 Galaxy A30; Samsung Galaxy A50; Samsung Galaxy A10E; Samsung Galaxy S10 Plus; Samsung
8 Galaxy S10; Samsung Galaxy S10e Lite; Samsung Galaxy A6; Samsung Galaxy Note 9; Samsung
9 Galaxy S9 Plus; Samsung Galaxy S9; Samsung Galaxy J7 2018; Samsung Galaxy Refine; Samsung
10 Galaxy Star; Samsung Galaxy J3 2018; Samsung Galaxy Amp Prime 3; Samsung Galaxy Express Prime
11 3; Motorola One 5G Ace; Motorola One 5G; Motorola Moto G Stylus 2021; Motorola Moto G Play
12 2021; Motorola Moto G Power 2021; Motorola Moto One Action; Motorola Moto G Fast; Motorola
13 Moto G Power 6.4 (2020); Motorola Moto G Stylus; Motorola Moto G7 Play; Motorola Moto E6;
14 Motorola Moto G7 Power Supra. (*See* Exhibit C, <https://cellcasesusa.com/> and click pulldown for
15 “Apple,” “LG,” “Samsung,” and “Motorola”).

16 15. As presently advised, the Accused Products include Defendant’s cases found at
17 <https://cellcasesusa.com/> and click pulldown for “Apple,” “LG,” “Samsung,” and “Motorola.”

18 16. The Accused Products, as illustrated below, are those protective masks that are capable of
19 being coupled to a portion of a mobile device so that the mobile device will not fall out of the protective
20 mask. The Accused Products are those protective masks that comprise a flange(s) or retainer(s) (as
21 recited in the asserted claims, *infra*). The Accused Products also may use flange(s) or retainer(s) in
22 conjunction with substantial surface to surface contact by the inner surface of the protective mask which
23 conforms to the contour of the outer surface of the mobile phone, working together to provide non-
24 permanent, temporary protection to the mobile phone. While not required by all asserted claims, the
25 Accused Products are protective masks that include openings to allow access to the interface as well as
26 inputs and outputs. *See* <https://cellcasesusa.com/>.

27
28

1
2
3
4
5
6
7
8
9
10
11
12
13
14
15
16
17
18
19
20
21
22
23
24
25
26
27
28



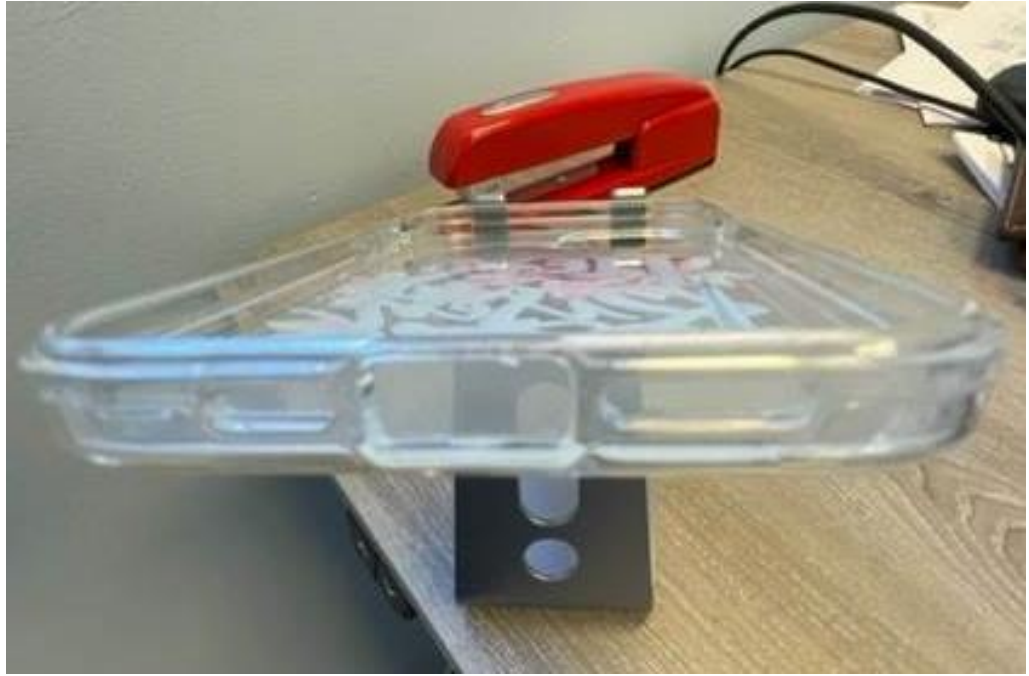


23 Apple iPhone 11 Tiger Polkadots Design Double Layer Phone Case Cover:

24 [https://cellcasesusa.com/collections/iphone-11/products/for-apple-iphone-11-tiger-polkadots-design-](https://cellcasesusa.com/collections/iphone-11/products/for-apple-iphone-11-tiger-polkadots-design-double-layer-phone-case-cover)
25 [double-layer-phone-case-cover](https://cellcasesusa.com/collections/iphone-11/products/for-apple-iphone-11-tiger-polkadots-design-double-layer-phone-case-cover) (See Exhibit C and pictures of representative products).

1
2
3
4
5
6
7
8
9
10
11
12
13
14
15
16
17
18
19
20
21
22
23
24
25
26
27
28





Apple iPhone 12 Pro Max He Is Risen Text Easter Jesus Christian Flowers Double Layer Phone Case Cover: <https://cellcasesusa.com/collections/iphone-12-pro-max/products/for-apple-iphone-12-pro-max-he-is-risen-text-easter-jesus-christian-flowers-double-layer-phone-case-cover> (See Exhibit C and pictures of representative products).



1
2
3
4
5
6
7
8
9
10
11
12
13
14
15
16
17
18
19
20
21
22
23
24
25
26
27
28





1
2
3
4
5
6
7
8
9
10
11
12 Samsung Galaxy S21 Ultra Love Like Jesus Flower Text Christian Double Layer Phone Case:

13 [https://cellcasesusa.com/collections/galaxy-s21/products/for-samsung-galaxy-s21-ultra-love-like-jesus-](https://cellcasesusa.com/collections/galaxy-s21/products/for-samsung-galaxy-s21-ultra-love-like-jesus-flower-text-christian-double-layer-phone-case-cover)
14 [flower-text-christian-double-layer-phone-case-cover](https://cellcasesusa.com/collections/galaxy-s21/products/for-samsung-galaxy-s21-ultra-love-like-jesus-flower-text-christian-double-layer-phone-case-cover) (See Exhibit C and pictures of representative
15 products).

16 17. While not required by all asserted claims, the Accused Products are protective masks that
17 include openings to allow access to the interface as well as inputs and outputs. Further, while not
18 required by all asserted claims, many of the Accused Products are protective masks. See
19 <https://cellcasesusa.com/>.

20 18. The Accused Products subject to this Complaint include all substantively similar products
21 and any predecessor and/or successor versions that satisfy each limitation of, and therefore infringe, any
22 asserted claim of the Patents-in-Suit whether sold directly or via other online marketplaces or brick and
23 mortar retail stores.

24 19. After adequate discovery, BelAir may seek leave to amend this Complaint to include
25 additional details of infringement, if any, by other products hereafter discovered to infringe the Patents-
26 in-Suit.

1 **COUNT I: INFRINGEMENT OF UNITED STATES PATENT NO. 7,941,195**

2 20. Plaintiff BelAir realleges and incorporates by reference paragraphs 1 through 19,
3 inclusive, as though fully set forth herein.

4 21. Defendant directly infringes at least independent Claim 9 of the ‘195 Patent.

5 **CLAIM 9**

6 22. The Accused Products, as manufactured, sold, offered for sale, advertised, imported,
7 shipped, distributed, and/or used by Defendant, comprise a protective mask adapted to be coupled to an
8 exterior housing of a mobile phone having internal components including circuitry and a battery, which
9 are covered by the exterior housing, in accordance with the limitations of Claim 9 of the ‘195 Patent.

10 23. Specifically, the Accused Products comprise:

- 11 a. a first mask portion, molded to conform to the shape of a first portion of the
12 exterior housing of the mobile phone; and
13 b. the first mask portion having flanges to allow the first mask portion to be coupled
14 to the mobile phone to retain the first mask portion to the first portion of the
15 exterior housing so that the first mask portion covers the first portion of the
16 exterior housing of the mobile phone.

17 24. To the extent required by law, BelAir has complied with the provisions of 35 U.S.C. §
18 287.

19 25. Defendant had notice of the ‘195 Patent and the likelihood of infringement thereof at
20 least as early as June 10, 2021, pursuant to email correspondence from BelAir to Defendant via its CEO.

21 26. Defendant’s direct infringement as described above, either literally or under the doctrine
22 of equivalents, has injured BelAir and BelAir is entitled to recover damages adequate to compensate it
23 for such infringement, but in no event less than a reasonable royalty.

24 **COUNT II: INFRINGEMENT OF UNITED STATES PATENT NO. 10,097,676**

25 27. Plaintiff BelAir realleges and incorporates by reference paragraphs 1 through 19,
26 inclusive, as though fully set forth herein.

27 28. Defendant directly infringes at least independent Claims 1, 5, 8, and 9 of the ‘676 Patent.

CLAIM 1

1
2 29. The Accused Products, as manufactured, sold, offered for sale, advertised, imported,
3 shipped, distributed, and/or used by Defendant, comprise a protective mask molded for frictional
4 retention to an exterior housing of a mobile phone having user input and output interfaces, and internal
5 components including circuitry and a battery, wherein the exterior housing completely encloses the
6 circuitry and the battery when the mobile phone is fully assembled and ready for use, the exterior
7 housing having an exterior shape formed by a back surface, and at least portions of opposed side
8 surfaces, in accordance with the limitations of Claim 1 of the '676 Patent.

9 30. Specifically, the Accused Products comprise:

- 10 a. an integrally-formed mask body molded and contoured to conform and
11 frictionally-fit tightly against the exterior shape of the exterior housing;
- 12 b. an inner surface of the integrally-formed mask body defining an interior space of
13 the integrally-formed mask body and conforming to and in substantially
14 continuous surface-to-surface contact with the exterior shape of the exterior
15 housing, with no substantial space between the inner surface of the integrally-
16 formed mask body and the exterior shape of the exterior housing;
- 17 c. at least one opening defined by the integrally-formed mask body permitting user
18 access to at least the user input and output interfaces; and
- 19 d. at least one retainer having an extension protruding laterally inward from the
20 integrally-formed mask body and toward and into the integrally-formed mask
21 body interior space, wherein the at least one retainer is retained to the exterior
22 housing at an exterior housing edge when the mask is coupled to the mobile
23 communication device, the at least one retainer participating in retaining the
24 integrally-formed mask body to the mobile communication device.

25 31. As presently advised, one or more Accused Products also likely satisfy the limitations of,
26 and infringe, dependent Claims 2, 3, and 4 of the '676 Patent.

CLAIM 5

1
2 32. The Accused Products, as manufactured, sold, offered for sale, advertised, imported,
3 shipped, distributed, and/or used by Defendant, comprise a protective mask molded for frictional
4 retention to an exterior housing of, and adapted to be coupled to, a mobile communication device having
5 internal components including circuitry and a battery, wherein the exterior housing completely encloses
6 the circuitry and battery when the mobile communication device is fully assembled and ready for use,
7 and wherein the exterior housing has an exterior shape including a back face and at least portions of
8 opposed side surfaces, in accordance with the limitations of Claim 5 of the '676 Patent.

9 33. Specifically, the Accused Products comprise:

- 10 a. an integrally-formed mask body molded and contoured to conform and
11 frictionally fit to the exterior shape of the exterior housing;
- 12 b. an inner surface of the integrally-formed mask body defining an interior space of
13 the integrally-formed mask body and conforming to and in substantially
14 continuous surface-to-surface contact with the exterior shape of the exterior
15 housing in overlying and protecting relationship, without a substantial gap
16 between the inner surface of the integrally- formed mask body and the exterior
17 shape of the exterior housing, the integrally-formed mask body defining an
18 opening enabling the mask to be placed over the exterior shape in overlying and
19 protecting relationship; and;
- 20 c. at least one retainer having an extension protruding laterally inward from the
21 integrally-formed mask body and toward and into the integrally-formed mask
22 body interior space, wherein the at least one retainer is retained to the exterior
23 housing at an exterior housing edge when the mask is coupled to the mobile
24 communication device, the at least one retainer participating in retaining the
25 integrally-formed mask body to the mobile communication device.

26 34. As presently advised, one or more Accused Products also likely satisfy the limitations of,
27 and infringe, dependent Claims 6 and 7 of the '676 Patent.

CLAIM 8

1
2 35. The Accused Products, as manufactured, sold, offered for sale, advertised, imported,
3 shipped, distributed, and/or used by Defendant, comprise a mask for attachment to a hand-held mobile
4 phone, the mobile phone having user input and output interfaces, internal components including
5 circuitry and a battery, and an exterior housing completely enclosing the circuitry and battery when the
6 mobile phone is fully assembled and ready for use, the exterior housing including a first face, a second
7 face and opposed side surfaces there between, in accordance with the limitations of Claim 8 of the '676
8 Patent.

9 36. Specifically, the Accused Products comprise:

- 10 a. an integrally-formed mask body molded to conform to a shape of the exterior
11 housing;
- 12 b. inner and outer surfaces, the surfaces defining at least one opening in the
13 integrally-formed mask body providing access to at least one of the user input and
14 output interfaces, the integrally-formed mask body being configured such that,
15 when the mask is attached to the mobile phone, the integrally-formed mask body
16 is coextensive with, contours to and overlies the opposed side surfaces, with
17 substantially no space between the mask body and the opposed side surfaces; and
- 18 c. at least one retainer having an extension protruding laterally inward from the
19 integrally-formed mask body and toward and into the integrally-formed mask
20 body interior space, wherein the at least one retainer is retained to the exterior
21 housing at an exterior housing edge when the mask is coupled to the mobile
22 communication device, the at least one retainer participating in retaining the
23 integrally-formed mask body to the mobile communication device.

CLAIM 9

24
25 37. The Accused Products, as manufactured, sold, offered for sale, advertised, imported,
26 shipped, distributed, and/or used by Defendant, comprise a protective mask molded for frictional
27 retention to an exterior housing of a fully assembled mobile communication device having user input
28

1 and output interfaces, the mobile communication device further having internal components including
2 circuitry and a battery completely enclosed by the exterior housing, and the exterior housing having an
3 exterior shape formed by a back surface and at least portions of opposed side surfaces, in accordance
4 with the limitations of Claim 9 of the '676 Patent.

5 38. Specifically, the Accused Products comprise:

- 6 a. an inner surface closely conforming to the exterior shape of the exterior housing
7 and in substantially continuous surface-to-surface contact with the exterior shape
8 of the exterior housing, with substantially no space between the inner surface of
9 the protective mask and the exterior shape when the protective mask is retained to
10 the exterior housing, the protective mask being molded, integrally formed,
11 contoured and sized to fit tightly against the exterior shape of the exterior
12 housing, thereby providing retention of the protective mask to the exterior
13 housing;
- 14 b. at least one opening defined by the protective mask permitting user access to at
15 least the user input and output interfaces; and
- 16 c. at least one retainer having an extension protruding laterally inward from the
17 integrally-formed mask body and toward and into the integrally-formed mask
18 body interior space, wherein the at least one retainer is retained to the exterior
19 housing at an exterior housing edge when the mask is coupled to the mobile
20 communication device, the at least one retainer participating in retaining the
21 integrally-formed mask body to the mobile communication device.

22 39. As presently advised, one or more Accused Products also likely satisfy the limitations of,
23 and infringe, dependent Claims 10, 11, and 12 of the '676 Patent.

24 40. To the extent required by law, BelAir has complied with the provisions of 35 U.S.C. §
25 287.

26 41. Defendant had notice of the '676 Patent and the likelihood of infringement thereof at
27 least as early as June 10, 2021, pursuant to email correspondence from BelAir to Defendant via its CEO.

1 42. Defendant’s direct infringement as described above, either literally or under the doctrine
2 of equivalents, has injured BelAir and BelAir is entitled to recover damages adequate to compensate it
3 for such infringement, but in no event less than a reasonable royalty.

4 **PRAYER FOR RELIEF**

5 WHEREFORE, Plaintiff BelAir Electronics, Inc. respectfully requests this Court to enter
6 judgment against CellCasesUSA, Inc. – and against each of its subsidiaries, successors, parents,
7 affiliates, officers, directors, agents, servants, employees, and all persons in active concert or
8 participation with it – granting the following relief:

9 A. The entry of judgment in favor of Plaintiff and against Defendant;

10 B. An award of damages against Defendant adequate to compensate Plaintiff for the
11 infringement that occurred, but in no event less than a reasonable royalty as permitted by 35 U.S.C. §
12 284, together with prejudgment interest from the date infringement began; and

13 C. Such other relief to which Plaintiff is entitled under the law and any other and further
14 relief that this Court or a jury may deem just and proper.

15 **JURY DEMAND**

16 Plaintiff demands a trial by jury on all issues presented in this Complaint.

17
18 Dated: July 28, 2022

Respectfully submitted,

19
20 /s/ Marc Libarle

LAW OFFICES OF MARC LIBARLE
Marc Libarle (CABN: 071678)
ml7006@gmail.com
1388 Sutter St, Ste 910
San Francisco, CA 94109
(415) 928-2400

21
22
23 HALLER LAW PLLC
Timothy J. Haller (*Pro Hac Vice Pending*)
haller@haller-iplaw.com

24
25 *Attorneys for Plaintiff, BelAir Electronics, Inc.*

EXHIBIT A

TO

COMPLAINT FOR PATENT INFRINGEMENT



(12) **United States Patent**
Peng

(10) **Patent No.:** **US 7,941,195 B2**
(45) **Date of Patent:** ***May 10, 2011**

(54) **PROTECTIVE MASK OF MOBILE PHONE**

5,012,513 A 4/1991 Dale et al.
D337,435 S 7/1993 Kaneko et al.
D338,470 S 8/1993 Clayton
D342,262 S 12/1993 Hester
D348,472 S 7/1994 Cyfko
5,383,091 A 1/1995 Snell

(75) Inventor: **Kuan-Lin Peng**, Taipei (TW)

(73) Assignee: **Gregory J. Kim**, Westmont, IL (US)

(*) Notice: Subject to any disclaimer, the term of this patent is extended or adjusted under 35 U.S.C. 154(b) by 654 days.

This patent is subject to a terminal disclaimer.

(Continued)

FOREIGN PATENT DOCUMENTS

DE 20019958.7 2/2001

(Continued)

(21) Appl. No.: **11/673,237**

OTHER PUBLICATIONS

(22) Filed: **Feb. 9, 2007**

IL Telefono Cellulare & C. 2 pages. Date: Oct. 2000. (Shows replacement mobile telephone housing portions.).

(65) **Prior Publication Data**

US 2007/0191079 A1 Aug. 16, 2007

Related U.S. Application Data

(63) Continuation of application No. 09/888,488, filed on Jun. 26, 2001, now Pat. No. 7,194,291.

Primary Examiner — Kent Chang

Assistant Examiner — Dinh P Nguyen

(74) *Attorney, Agent, or Firm* — Jansson Shupe & Munger Ltd.

(30) **Foreign Application Priority Data**

Nov. 17, 2000 (CN) 00 2 52902 U

(57) **ABSTRACT**

The present invention relates to a protective mask of mobile phone comprising an upper cover body and a lower cover body. The upper and lower cover bodies can be joined with a front and a rear phone housings of a mobile phone, respectively, to effectively prevent abrasion of the mobile phone due to carelessness of a user, thereby preventing ill-favored scars on the mobile phone. Therefore, the deterioration of the quality of the mobile phone and the fall of its value can be avoided. Moreover, trend and fashion of the mobile phone can be achieved without the need of replacing the mobile phone. Therefore, waste of money can be avoided, and economic burden to the user can be lessened.

(51) **Int. Cl.**

H04M 1/00 (2006.01)

(52) **U.S. Cl.** **455/575.8**; 455/550.1; 455/575.1

(58) **Field of Classification Search** 455/575.8, 455/575.9, 575.1, 550.1, 90.1, 90.3, 348, 455/349, 550; 379/433.01, 433.11, 451

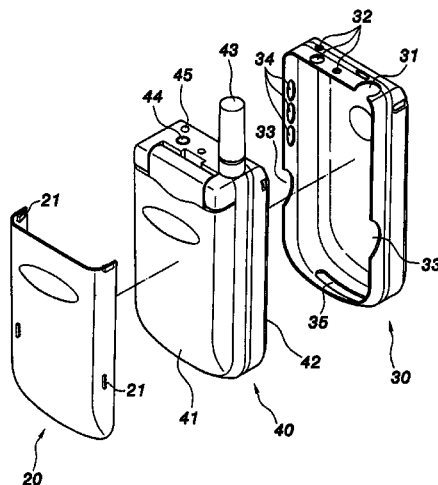
See application file for complete search history.

(56) **References Cited**

U.S. PATENT DOCUMENTS

D211,355 S 6/1968 Farnham et al.
D219,451 S 12/1970 Blackman
4,121,061 A 10/1978 Donaldson

12 Claims, 7 Drawing Sheets



US 7,941,195 B2

Page 2

U.S. PATENT DOCUMENTS

D365,927 S 1/1996 Cho
D369,903 S 5/1996 Tetrault
5,586,704 A 12/1996 Alexander et al.
D382,538 S 8/1997 Brunette
D385,283 S 10/1997 Snyder et al.
D385,554 S 10/1997 Nuovo et al.
5,678,204 A 10/1997 Naylor
D395,749 S 7/1998 Jayez
D396,951 S 8/1998 Huber
D397,246 S 8/1998 Hoofnagle et al.
5,809,403 A 9/1998 MacDonald, Jr. et al.
D400,541 S 11/1998 Harrison
D408,402 S 4/1999 Shimelfarb et al.
5,896,277 A 4/1999 Leon et al.
5,933,330 A 8/1999 Beutler et al.
5,988,577 A 11/1999 Phillips et al.
6,006,074 A 12/1999 De Larminat et al.
6,011,699 A 1/2000 Murray et al.

D425,907 S 5/2000 Frye et al.
6,073,034 A 6/2000 Jacobsen et al.
6,075,977 A 6/2000 Bayrami
6,082,535 A 7/2000 Mitchell
6,130,945 A 10/2000 Shin
6,157,545 A 12/2000 Janninck et al.
6,201,867 B1 3/2001 Koike
D448,368 S 9/2001 Bettag et al.
6,591,088 B1 7/2003 Watanabe
6,594,472 B1 7/2003 Curtis et al.
6,842,633 B1 1/2005 Deo et al.
7,194,291 B2 * 3/2007 Peng 455/575.8
2001/0034211 A1 10/2001 Kuroshima et al.
2002/0193136 A1 12/2002 Halkosaari et al.

FOREIGN PATENT DOCUMENTS

DE 2011112.8 9/2001

* cited by examiner

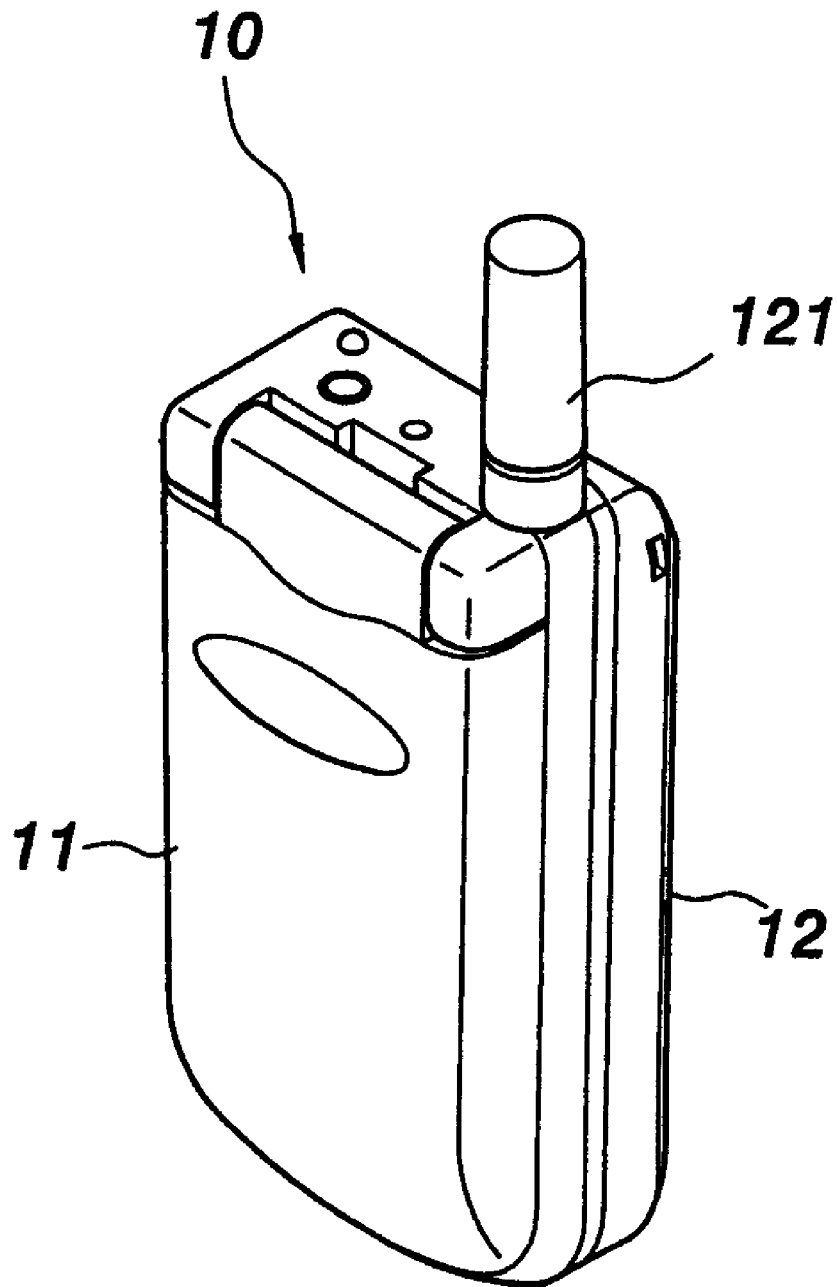


FIG. 1
PRIOR ART

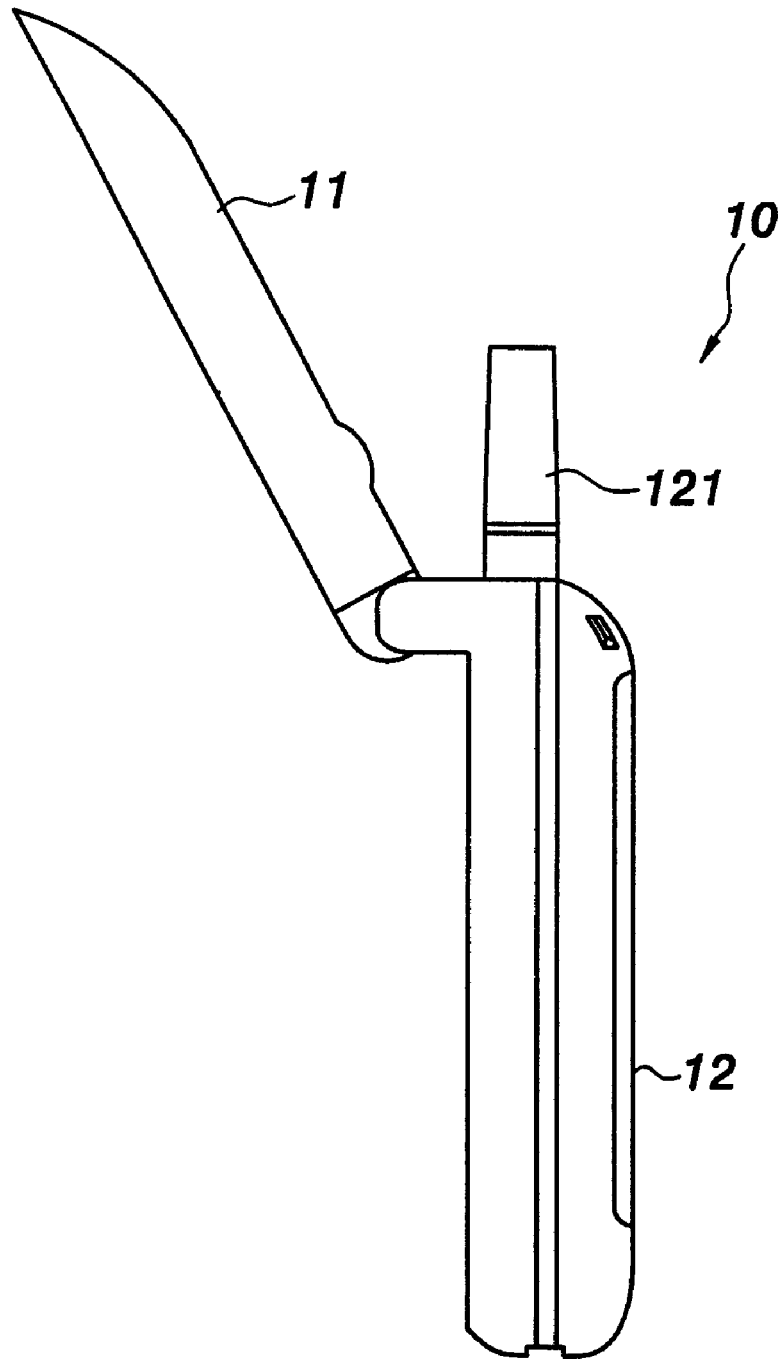


FIG. 2
PRIOR ART

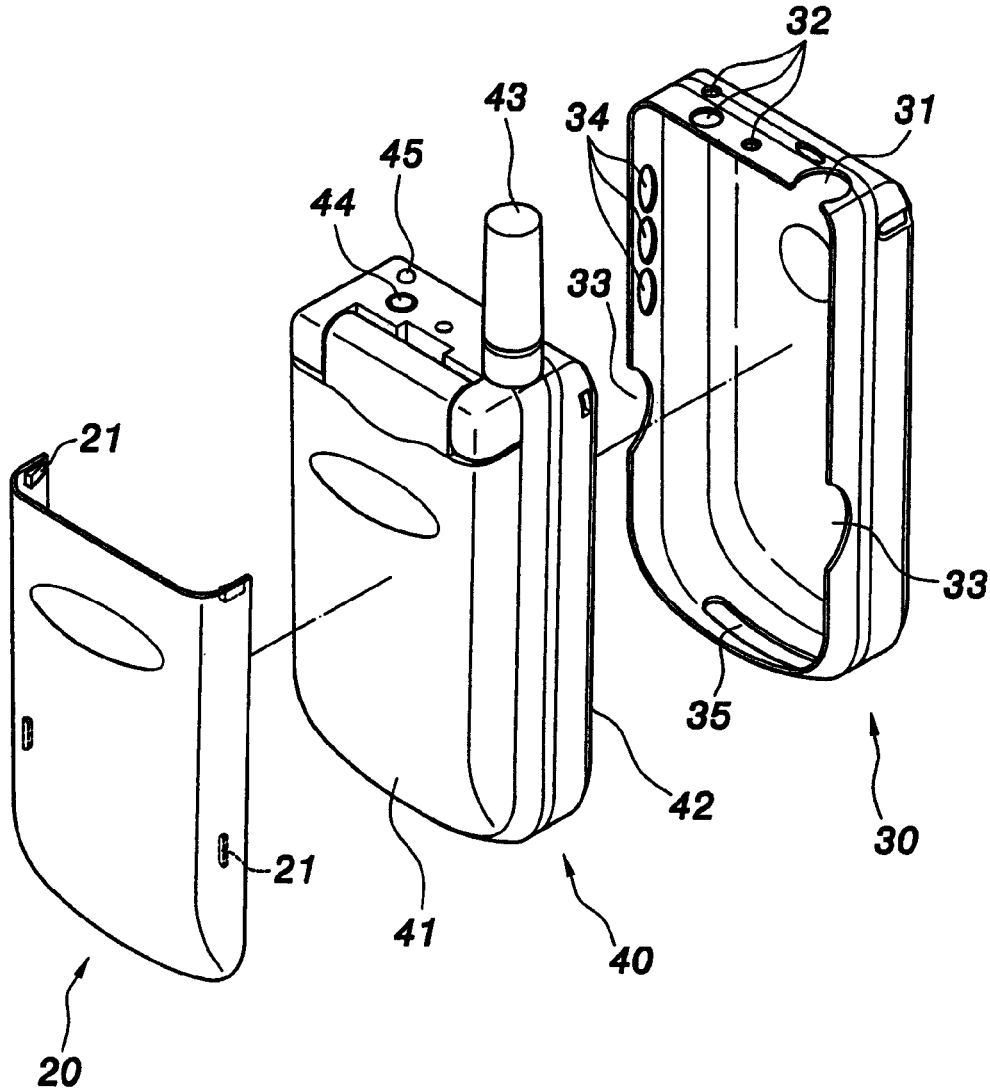


FIG. 3

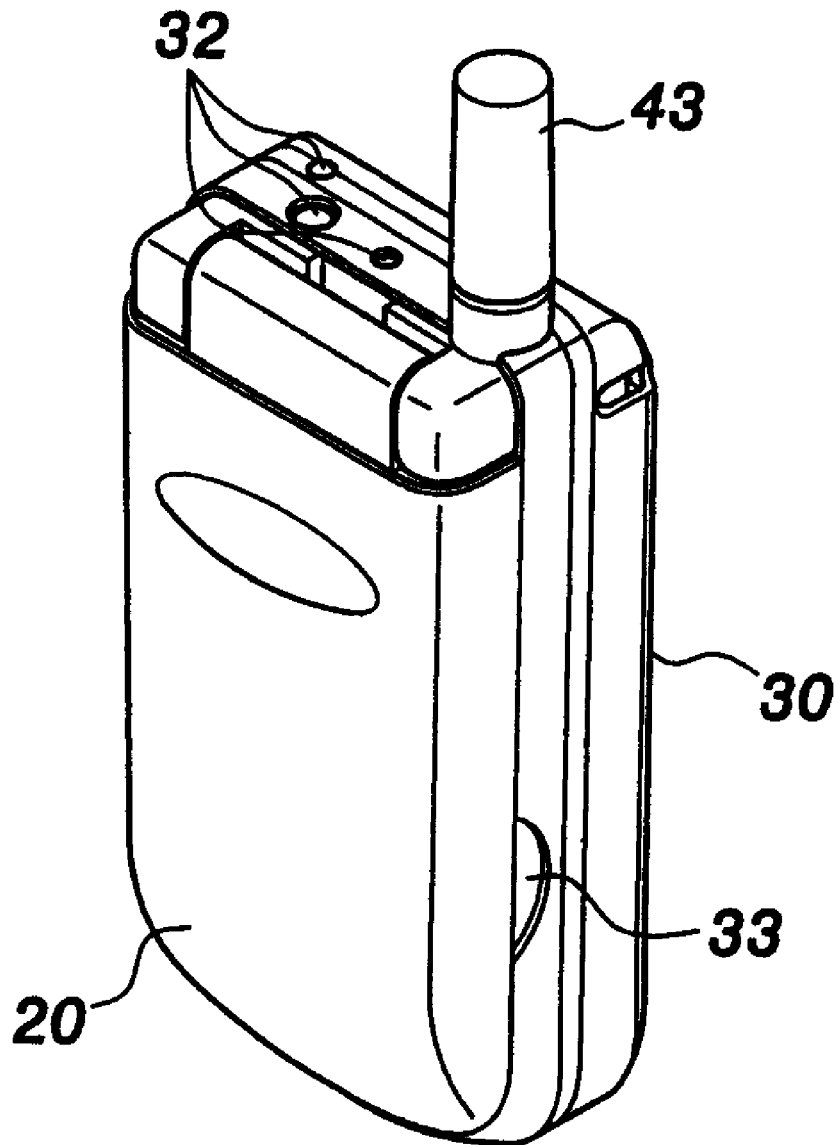


FIG. 4

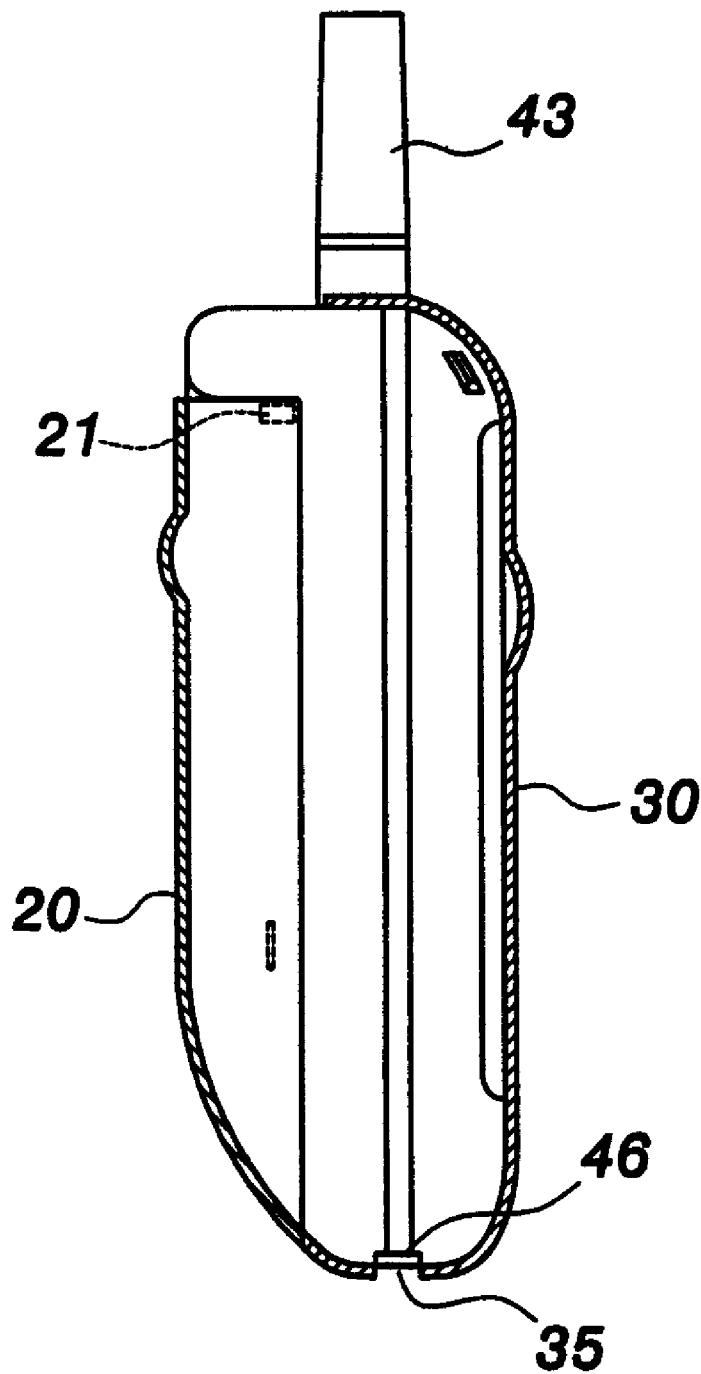


FIG. 5

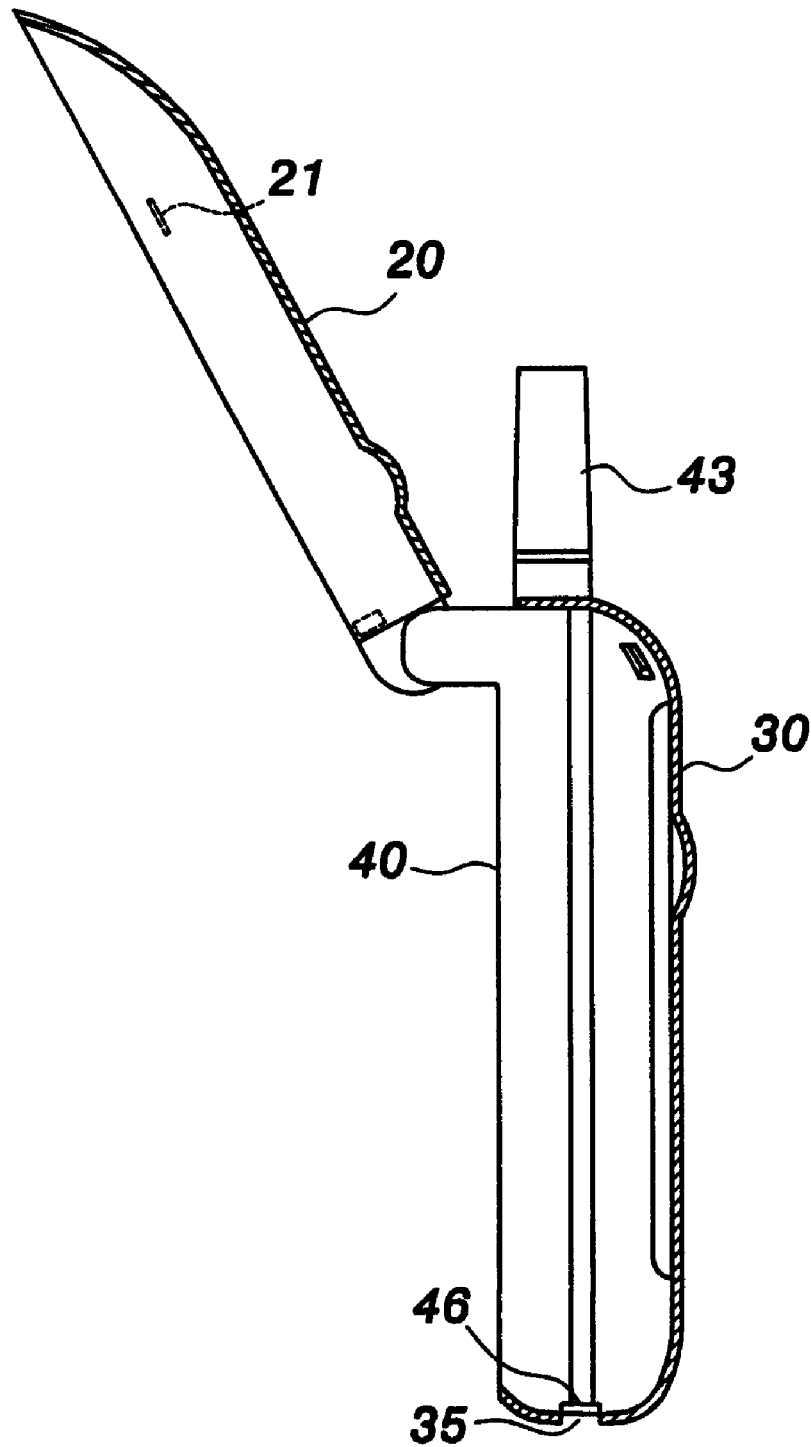


FIG. 6

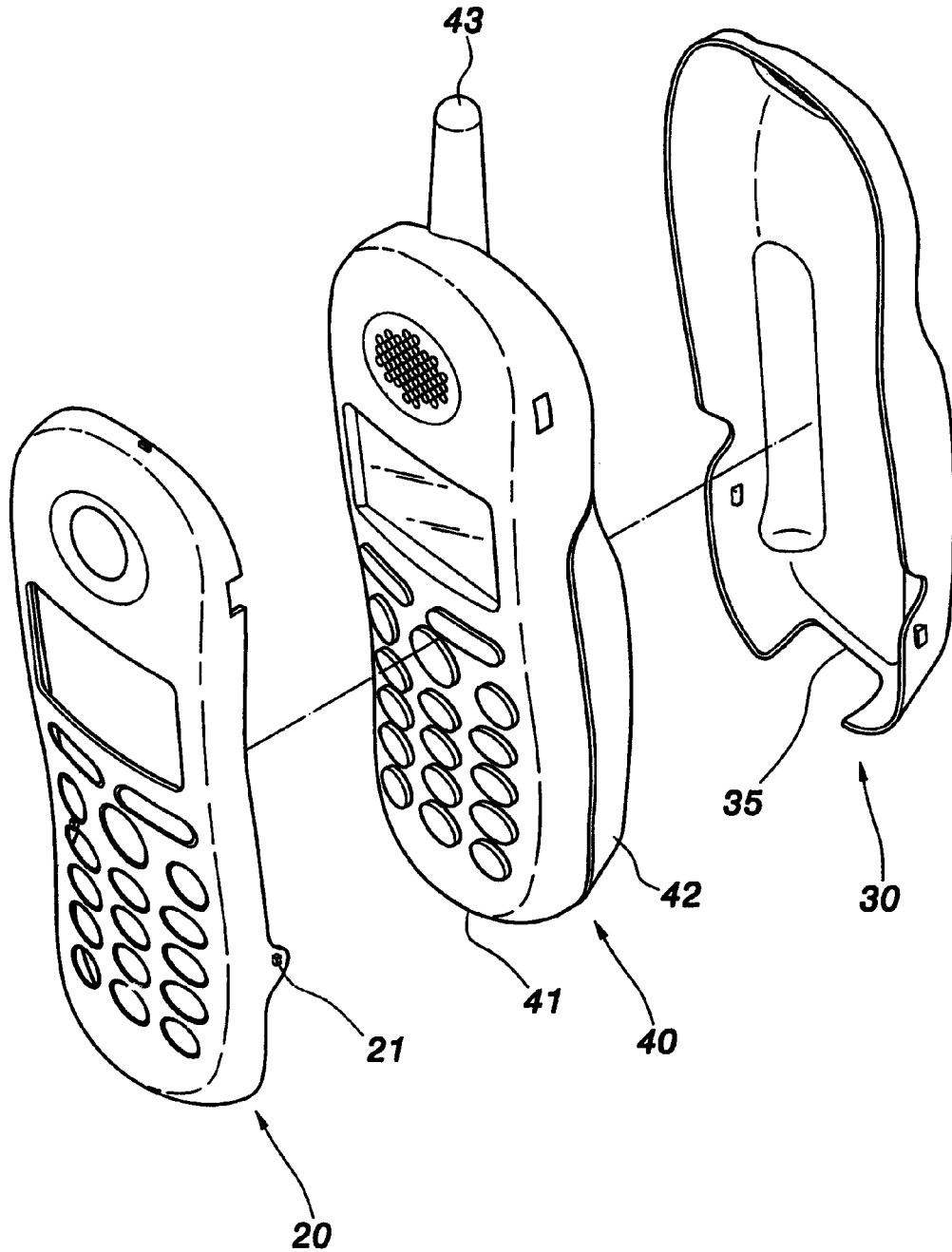


FIG. 7

US 7,941,195 B2

1

PROTECTIVE MASK OF MOBILE PHONE

CROSS-REFERENCE TO RELATED PATENT APPLICATIONS

This continuation application claims priority to U.S. patent application Ser. No. 09/888,488 filed Jun. 26, 2001, now U.S. Pat. No. 7,194,291 and Chinese Patent Application No. CN00252902.5 filed Nov. 17, 2000, which are expressly incorporated by reference herein.

FIELD OF THE INVENTION

The present invention relates to a protective mask of mobile phone and, more particularly, to an assembly structure used in a mobile phone

BACKGROUND OF THE INVENTION

FIGS. 1 and 2 show the structure of a prior art mobile phone. The outer look of the structure is approximately a rectangular parallelepiped comprising a front phone housing and a rear phone housing. One end of the front phone housing 11 is pivotally joined with one end of the rear phone housing 12, as shown in FIG. 2. An antenna 121 is disposed on the rear phone housing 12. A mobile phone 10 is formed after assembling the front and rear phone housings 11 and 12. The mobile phone 10 can be used for receiving a call, dialing a telephone number, making a call, displaying messages, and setting functions.

However, because the front and rear phone housings 11 and 12 of the mobile phone 10 are very smooth and delicate, abrasion may easily arise due to carelessness of a user so as to generate ill-favored scars thereon, resulting in the deterioration of the quality of the mobile phone and the fall of its value.

Moreover, the design of the mobile phone 10 tends to be more and more diversified in consideration of trend and fashion. The user usually spends a lot of money to change the mobile phone 10 to adhere to the fashion, resulting in waste of money.

Accordingly, the above mobile phone structure has inconvenience and drawbacks in practical installation and use. The present invention aims to resolve the problems in the prior art.

SUMMARY OF THE INVENTION

The primary object of the present invention is to provide a protective mask of mobile phone to effectively prevent abrasion of a mobile phone due to carelessness of a user, thereby preventing ill-favored scars on the mobile phone. Therefore, the deterioration of the quality of the mobile phone and the fall of its value can be avoided.

The secondary object of the present invention is to provide a protective mask of mobile phone so that trend and fashion of a mobile phone can be achieved without the need of replacing the mobile phone. Therefore, waste of money can be avoided, and economic burden to the user can be lessened.

To achieve the above objects, the present invention provides a protective mask of mobile phone comprising an upper cover body and a lower cover body. The upper and lower cover bodies are integrally formed by means of mold ejection of plastic. Patterns, types, or nameplates can be printed on the upper and lower cover bodies. The upper and lower cover bodies can sheathe a mobile phone therein. A gap, cavities, and slots corresponding to an antenna, an earphone cavity, an incoming-call informing light and so on of the mobile phone are disposed on the lower cover body so that a user can

2

successfully receive a call and use various kinds of functions and settings of the mobile phone.

The various objects and advantages of the present invention will be more readily understood from the following detailed description when read in conjunction with the appended drawings, in which:

BRIEF DESCRIPTION OF THE DRAWINGS

- 10 FIG. 1 is a perspective view of a prior art mobile phone;
- FIG. 2 is a diagram showing the use state of a prior art mobile phone;
- FIG. 3 is an exploded perspective view of the present invention and a mobile phone;
- 15 FIG. 4 is a perspective view of the present invention assembled with a mobile phone;
- FIG. 5 is a cross-sectional view of the present invention assembled with a mobile phone;
- FIG. 6 is a diagram showing the use state of the present invention assembled 10 with a mobile phone; and
- FIG. 7 is an exploded perspective view according to a second embodiment of the present invention.

DETAILED DESCRIPTION OF THE PREFERRED EMBODIMENTS

As shown in FIGS. 3 to 6, the present invention relates to a protective mask of mobile phone and, more particularly, to an assembly structure used in a mobile phone. The protective mask of mobile phone of the present invention comprises an upper cover body 20 and a lower cover body 30.

The upper cover body 20 is integrally formed by mold ejection of plastic. Patterns, types, or nameplates can be printed on a front side face of the upper 20 cover body 20. The upper cover body 20 can be joined with a front phone housing 41 of a mobile phone 40, as shown in FIG. 4. A rear side face of the upper cover body 20 has a plurality of flanges 21, as shown in FIG. 3. The flanges 21 can be retained at the edge of the front phone housing 41 of the mobile phone 40. The front phone housing 41 of the mobile phone 40 can be sheathed in the upper cover body 20, as shown in FIG. 5.

The lower cover body 30 is integrally formed by mold ejection of plastic. Patterns, types, or nameplates can be printed on the lower cover body 30. The lower cover body 30 can be joined with a rear phone housing 42 of the mobile phone 40, as shown in FIG. 4. The lower cover body 30 has a gap 31 to retain an antenna 43 of the mobile phone 40, as shown in FIG. 3. A plurality of cavities 32 are disposed beside the gap 31 of the lower cover body 30. The cavities 32 can correspond to an earphone cavity 44, an incoming-call informing light 45 and so on of the mobile phone 40 so that a user can conveniently use the functions of the mobile phone 40.

Finger recessions 33 are respectively disposed at two sides of the lower cover body 30 so that a user can easily unfold the pivotally joined front phone housing 41 and rear phone housing 42 to receive a call or operate the mobile phone 40, as shown in FIG. 6. The finger recessions 33 can also let the user conveniently separate the mobile phone 40 and the lower cover body 30 for performing operations such as replacing a battery (not shown) of the mobile phone 40. A plurality of holes 34 are disposed at one side of the lower cover body 30. The holes 34 can correspond to function keys (not shown) of the mobile phone 40 so that the user can successfully receive a call or set functions.

A bottom of the lower cover body 30 has a slot 35, which can correspond to a socket 46 (shown in FIG. 5) of the mobile

US 7,941,195 B2

3

phone 40 so that a user can plug in a power supply (not shown) of the mobile phone 40 to charge or recharge the mobile phone 40.

As shown in FIG. 7, a different upper cover body 20 and a different lower cover body 30 are matched according to the outer look of a different mobile phone 40 so as to satisfy users having different mobile phones 40. The connection and disposition ways are the same as the above first embodiment of the present invention.

The present invention uses the upper cover body 20 and the lower cover body 30 to sheathe the mobile phone 40 therein so as to effectively prevent abrasion of the mobile phone 40 due to the carelessness of a user, thereby preventing ill-favored scars on the mobile phone. Moreover, trend and fashion of the mobile phone 40 can be achieved without the need of replacing the mobile phone 40.

Although the present invention has been described with reference to the preferred embodiments thereof, it will be understood that the invention is not limited to the details thereof. Various substitutions and modifications have been suggested in the foregoing description, and others will occur to those of ordinary skill in the art. Therefore, all such substitutions and modifications are intended to be embraced within the scope of the invention as defined in the appended claims.

What is claimed is:

1. A protective mask adapted to be coupled to an exterior housing of a mobile phone having internal components including circuitry and a battery, which are covered by the exterior housing, the protective mask comprising:

a first mask portion, molded to conform to the shape of a first portion of the exterior housing of the mobile phone, the first mask portion adapted to be coupled to the mobile phone to retain the first mask portion to the first portion of the exterior housing so that the first mask portion covers the first portion of the exterior housing of the mobile phone; and

a second mask portion, molded to conform to the shape of a second portion of the exterior housing of the mobile phone, the second mask portion adapted to be coupled to the mobile phone to retain the second mask portion to the second portion of the exterior housing so that the second mask portion covers the second portion of the exterior housing of the mobile phone;

wherein said first and second mask portions are retained to the exterior housing of the mobile phone.

2. The protective mask of claim 1, wherein patterns, types, or nameplates can be printed on said first and second mask portions.

3. The protective mask of claim 1, wherein the first mask portion includes at least one opening to permit access to features of the mobile phone.

4. The protective mask of claim 1, wherein said second mask portion includes at least one opening to permit access to features of the mobile phone.

5. The protective mask of claim 1, wherein said second mask portion includes an opening corresponding to a socket

4

of said mobile phone so that a user can conveniently plug in a power supply to charge said mobile phone.

6. A protective mask adapted to be coupled to an exterior housing of a mobile phone, the mobile phone having internal components including circuitry and a battery, which are covered by the exterior housing, the protective mask comprising:

a first mask portion, molded to conform to the shape of a first portion of the exterior housing of the mobile phone, the first mask portion is adapted to be coupled to the mobile phone to retain the first mask portion to the first portion of the exterior housing so that the first mask portion covers the first portion of the exterior housing of the mobile phone;

said first mask portion including an opening that is associated with an opening in the exterior housing to permit access to a feature of the mobile phone; and

a second mask portion, molded to conform to the shape of a second portion of the exterior housing of the mobile phone, the second mask portion adapted to be coupled to the mobile phone to retain the second mask portion to the second portion of the exterior housing so that the second mask portion covers the second portion of the exterior housing of the mobile phone;

wherein said first and second mask portions are retained to the exterior housing of the mobile phone.

7. The protective mask of claim 6, wherein patterns, types, or nameplates can be printed on said first and second mask portions.

8. The protective mask of claim 6, wherein the second mask portion includes an opening to permit access to a feature of the mobile phone.

9. A protective mask adapted to be coupled to an exterior housing of a mobile phone having internal components including circuitry and a battery, which are covered by the exterior housing, the protective mask comprising:

a first mask portion, molded to conform to the shape of a first portion of the exterior housing of the mobile phone, the first mask portion having flanges to allow the first mask portion to be coupled to the mobile phone to retain the first mask portion to the first portion of the exterior housing so that the first mask portion covers the first portion of the exterior housing of the mobile phone.

10. The protective mask of claim 9, further comprising a second mask portion, molded to conform to the shape of a second portion of the exterior housing of the mobile phone, the second mask portion adapted to be coupled to the mobile phone to retain the second mask portion to the second portion of the exterior housing so that the second mask portion covers the second portion of the exterior housing of the mobile phone.

11. The protective mask of claim 10, wherein patterns, types, or nameplates can be printed on the first and second mask portions.

12. The protective mask of claim 11, wherein the first mask portion includes at least one opening to permit access to features of the mobile phone.

* * * * *

EXHIBIT B

TO

**COMPLAINT FOR PATENT
INFRINGEMENT**



(12) **United States Patent**
Peng

(10) **Patent No.:** **US 10,097,676 B2**
(45) **Date of Patent:** ***Oct. 9, 2018**

(54) **PROTECTIVE MASK OF MOBILE PHONE**

USPC 455/90.1, 90.3, 348, 349, 433.01, 433.11,
455/451, 550, 550.1, 575.1
See application file for complete search history.

(75) Inventor: **Kuan-Lin Peng**, Taipai (TW)

(73) Assignee: **Gregory Jukyoung Kim**, Westmont, IL (US)

(56) **References Cited**

(*) Notice: Subject to any disclaimer, the term of this patent is extended or adjusted under 35 U.S.C. 154(b) by 119 days.

This patent is subject to a terminal disclaimer.

U.S. PATENT DOCUMENTS

D211,355 S 6/1968 Farnham et al.
D219,451 S 12/1970 Blackman
4,121,061 A 10/1978 Donaldson
5,012,513 A 4/1991 Dale et al.
D337,435 S 7/1993 Kaneko et al.

(Continued)

(21) Appl. No.: **13/094,428**

FOREIGN PATENT DOCUMENTS

(22) Filed: **Apr. 26, 2011**

CN 00252902.5 11/2000
DE 20019958 U1 2/2001
DE 20111112 U1 9/2001

(65) **Prior Publication Data**

US 2011/0201394 A1 Aug. 18, 2011

OTHER PUBLICATIONS

Related U.S. Application Data

IL Telefono Cellulare & C. 2 pages. Date: Oct. 2000. (Shows replacement mobile telephone housing portions.).

(63) Continuation of application No. 11/673,237, filed on Feb. 9, 2007, now Pat. No. 7,941,195, which is a continuation of application No. 09/888,488, filed on Jun. 26, 2001, now Pat. No. 7,194,291.

Primary Examiner — Dinh Nguyen

(74) *Attorney, Agent, or Firm* — Invention Mine LLC

(30) **Foreign Application Priority Data**

Nov. 17, 2000 (CN) 252902

(57) **ABSTRACT**

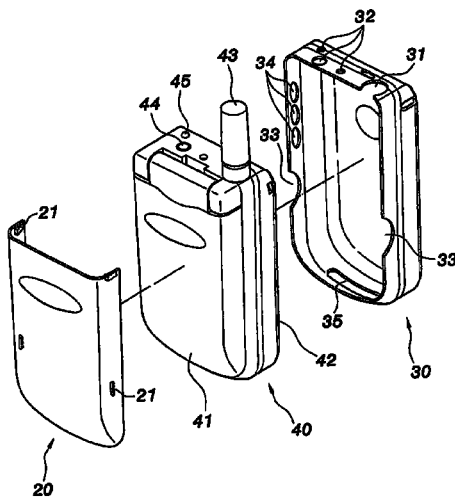
(51) **Int. Cl.**
H04M 1/02 (2006.01)
H04B 1/3888 (2015.01)

The present invention relates to a protective mask of mobile phone comprising an upper cover body and a lower cover body. The upper and lower cover bodies can be joined with a front and a rear phone housing of a mobile phone, respectively, to effectively prevent abrasion of the mobile phone due to carelessness of a user, thereby preventing ill-favored scars on the mobile phone. Therefore, the deterioration of the quality of the mobile phone and the fall of its value can be avoided. Moreover, trend and fashion of the mobile phone can be achieved without the need of replacing the mobile phone. Therefore, waste of money can be avoided, and economic burden to the user can be lessened.

(52) **U.S. Cl.**
CPC **H04M 1/0283** (2013.01); **H04B 1/3888** (2013.01); **H04M 1/0214** (2013.01)

(58) **Field of Classification Search**
CPC . H04W 88/02; H04M 1/0283; H04M 1/0214;
H04M 1/0202; H04M 1/0212; H04M
1/0216; H04B 1/3888

12 Claims, 7 Drawing Sheets



US 10,097,676 B2

Page 2

(56)

References Cited

U.S. PATENT DOCUMENTS

D338,470 S	8/1993	Clayton	6,011,699 A	1/2000	Murray et al.	
D342,262 S	12/1993	Hester	D425,907 S	5/2000	Frye et al.	
D348,472 S	7/1994	Cyfko	6,073,027 A	6/2000	Norman et al.	
5,383,091 A	1/1995	Snell	6,073,034 A	6/2000	Jacobsen et al.	
D365,927 S	1/1996	Cho	6,075,977 A	6/2000	Bayrami	
D369,903 S	5/1996	Tetrault	6,082,535 A	7/2000	Mitchell	
5,586,704 A	12/1996	Alexander et al.	6,128,515 A *	10/2000	Kabler	H04B 1/3805 455/556.2
D382,538 S	8/1997	Brunette	6,130,945 A	10/2000	Shin	
D385,283 S	10/1997	Snyder et al.	6,157,545 A	12/2000	Janninck et al.	
D385,554 S	10/1997	Nuovo et al.	6,184,835 B1	2/2001	Chen et al.	
5,678,204 A	10/1997	Naylor	6,201,867 B1	3/2001	Koike	
D395,749 S	7/1998	Jayez	6,224,225 B1	5/2001	Chen	
D396,951 S	8/1998	Huber	D448,368 S *	9/2001	Bettag	D14/250
D397,246 S	8/1998	Hoofnagle et al.	6,430,400 B1	8/2002	MacDonald, Jr. et al.	
5,809,403 A	9/1998	MacDonald, Jr. et al.	6,563,927 B2	5/2003	Mote et al.	
D400,541 S	11/1998	Harrison	6,591,088 B1	7/2003	Watanabe	
D408,402 S	4/1999	Shimelfarb et al.	6,594,472 B1	7/2003	Curtis et al.	
5,896,277 A	4/1999	Leon et al.	6,842,633 B1	1/2005	Deo et al.	
5,923,752 A *	7/1999	McBride et al. 379/433.11	6,876,837 B2	4/2005	Kuroshima et al.	
5,933,330 A	8/1999	Beutler et al.	6,898,283 B2	5/2005	Wycherley et al.	
5,988,577 A	11/1999	Phillips et al.	7,069,063 B2	6/2006	Halkosaari et al.	
6,006,074 A	12/1999	De Larminat et al.	7,194,291 B2	3/2007	Peng	
			7,941,195 B2	5/2011	Peng	

* cited by examiner

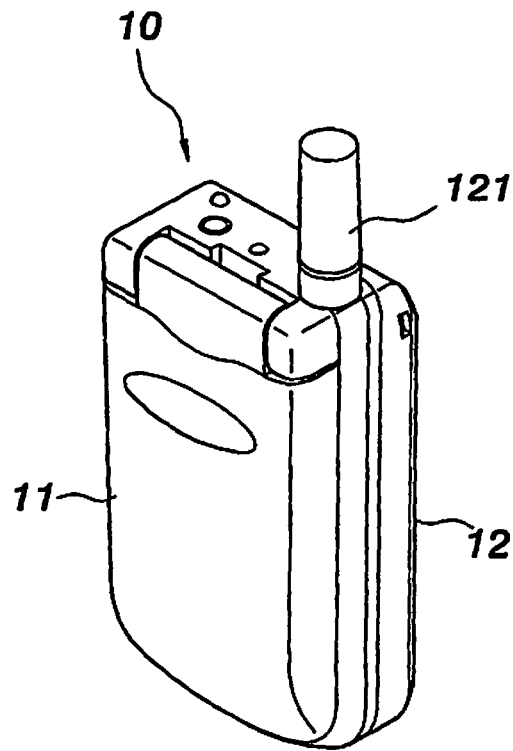


FIG. 1
PRIOR ART

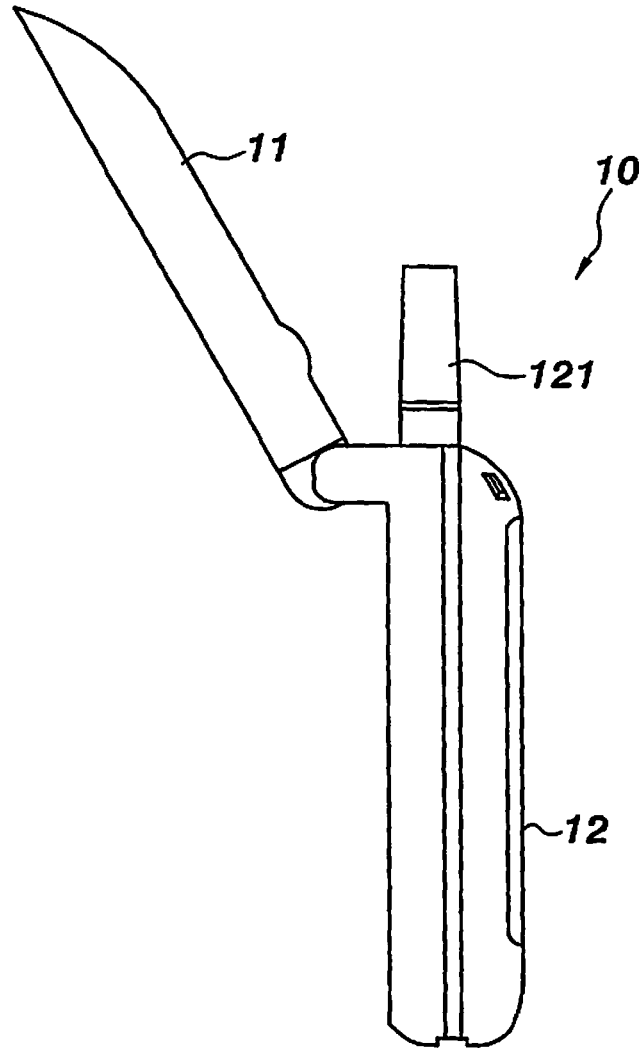


FIG. 2
PRIOR ART

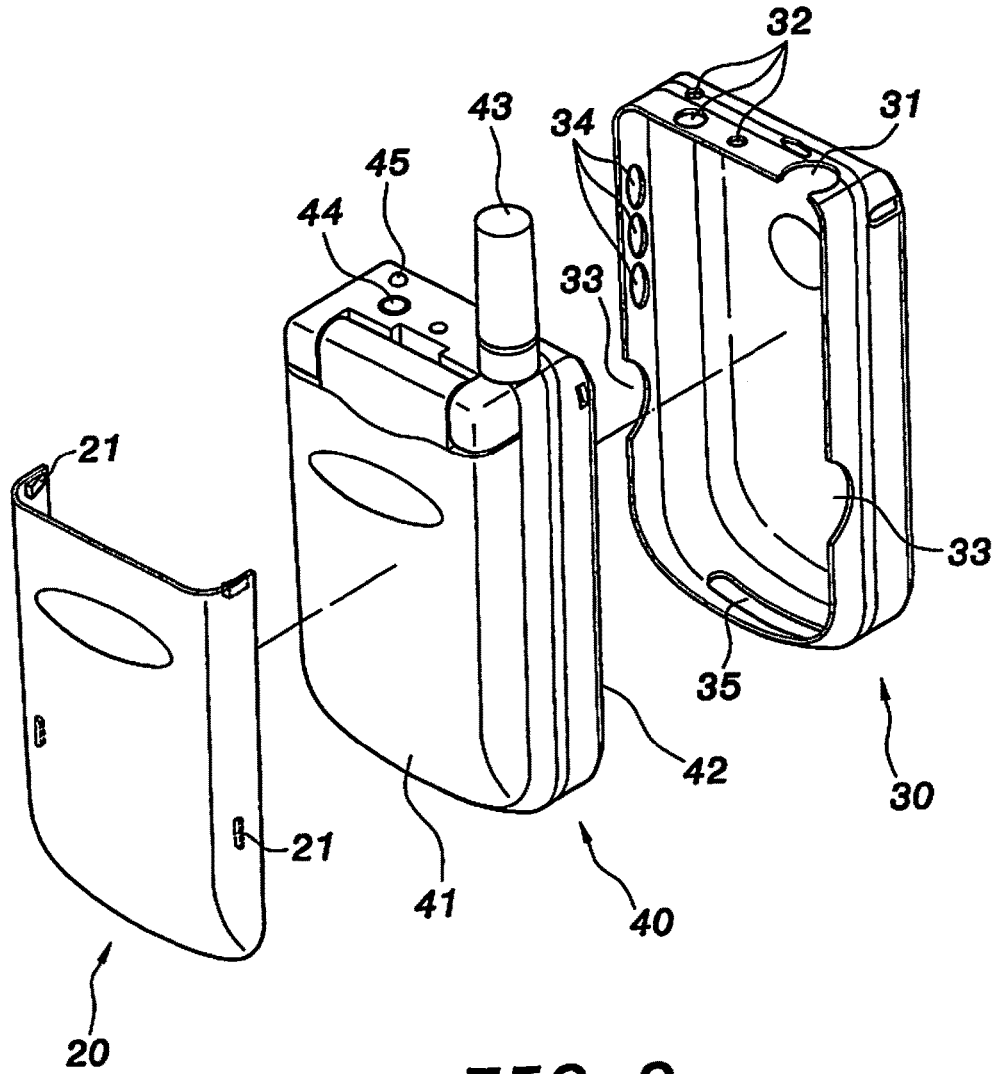


FIG. 3

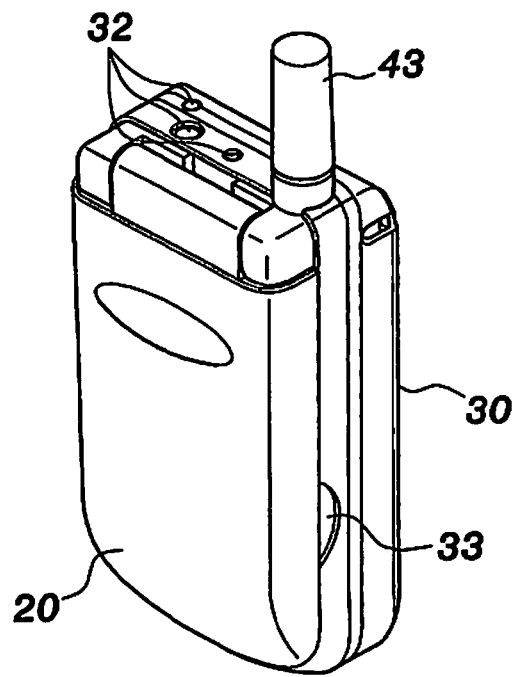


FIG. 4

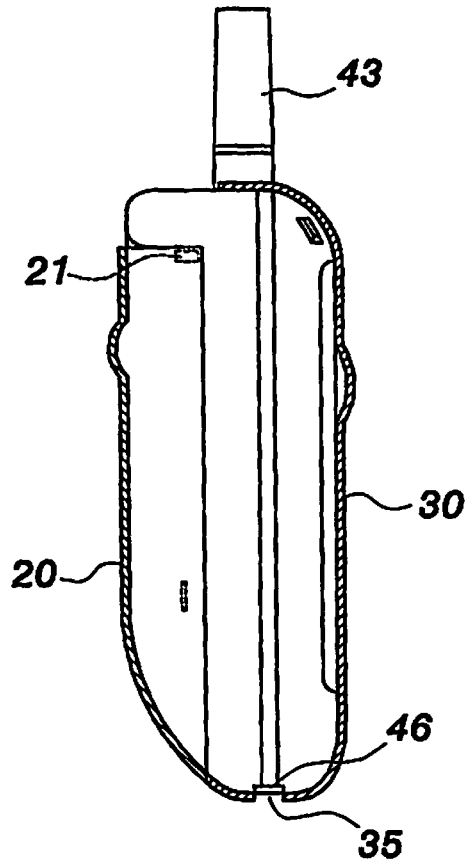


FIG. 5

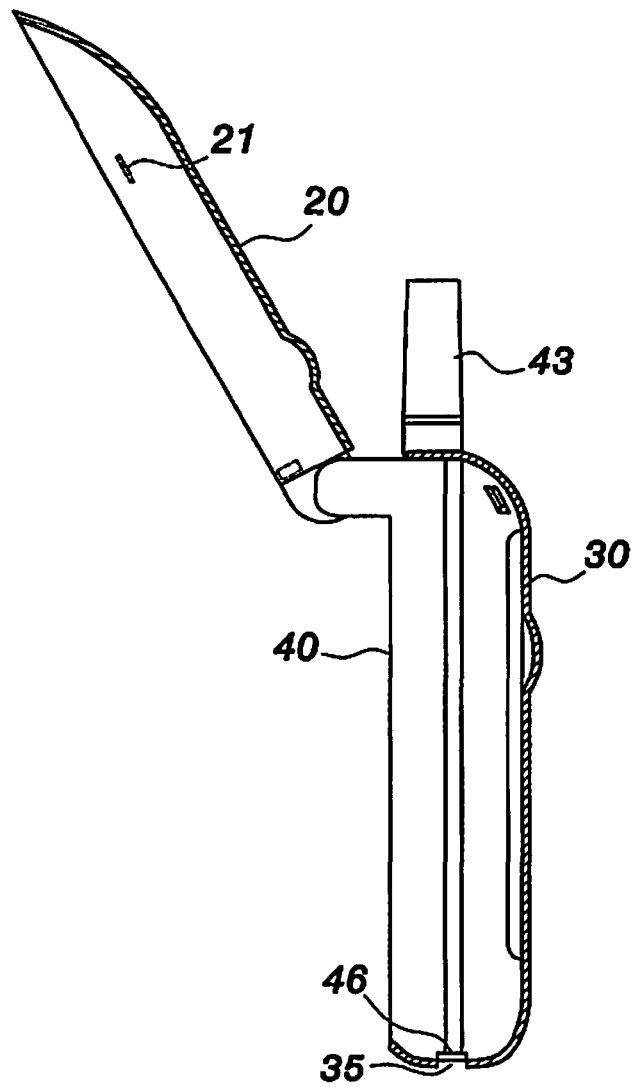


FIG. 6

US 10,097,676 B2

1

PROTECTIVE MASK OF MOBILE PHONE

RELATED APPLICATIONS

This application is a continuation of U.S. patent application Ser. No. 11/673,237, filed Feb. 9, 2007, now U.S. Pat. No. 7,941,195, which (i) is a continuation application of U.S. patent application Ser. No. 09/888,488, filed Jun. 26, 2001, now U.S. Pat. No. 7,194,291, and (ii) claims priority to Chinese Patent Application No. CN00252902.5, filed Nov. 17, 2000, the contents of which are incorporated herein by reference.

FIELD OF THE INVENTION

The present invention relates to a protective mask of mobile phone and, more particularly, to an assembly structure used in a mobile phone.

BACKGROUND OF THE INVENTION

FIGS. 1 and 2 show the structure of a prior art mobile phone. The outer look of the structure is approximately a rectangular parallelepiped comprising a front phone housing and a rear phone housing. One end of the front phone housing 11 is pivotally joined with one end of the rear phone housing 12, as shown in FIG. 2. An antenna 121 is disposed on the rear phone housing 12. A mobile phone 10 is formed after assembling the front and rear phone housings 11 and 12. The mobile phone 10 can be used for receiving a call, dialing a telephone number, making a call, displaying messages, and setting functions.

However, because the front and rear phone housings 11 and 12 of the mobile phone 10 are very smooth and delicate, abrasion may easily arise due to carelessness of a user so as to generate ill-favored scars thereon, resulting in the deterioration of the quality of the mobile phone and the fall of its value.

Moreover, the design of the mobile phone 10 tends to be more and more diversified in consideration of trend and fashion. The user usually spends a lot of money to change the mobile phone 10 to adhere to the fashion, resulting in waste of money.

Accordingly, the above mobile phone structure has inconvenience and drawbacks in practical installation and use. The present invention aims to resolve the problems in the prior art.

SUMMARY OF THE INVENTION

The primary object of the present invention is to provide a protective mask of mobile phone to effectively prevent abrasion of a mobile phone due to carelessness of a user, thereby preventing ill-favored scars on the mobile phone. Therefore, the deterioration of the quality of the mobile phone and the fall of its value can be avoided.

The secondary object of the present invention is to provide a protective mask of mobile phone so that trend and fashion of a mobile phone can be achieved without the need of replacing the mobile phone. Therefore, waste of money can be avoided, and economic burden to the user can be lessened.

To achieve the above objects, the present invention provides a protective mask for a mobile phone comprising an upper cover body and a lower cover body. The upper and lower cover bodies are integrally formed by means of mold ejection of plastic. Patterns, types, or nameplates can be

2

printed on the upper and lower cover bodies. The upper and lower cover bodies can sheathe a mobile phone therein. A gap, cavities, and slots corresponding to an antenna, an earphone cavity, an incoming-call informing light and so on of the mobile phone are disposed on the lower cover body so that a user can successfully receive a call and use various kinds of functions and settings of the mobile phone.

The various objects and advantages of the present invention will be more readily understood from the following detailed description when read in conjunction with the appended drawings, in which:

BRIEF DESCRIPTION OF THE DRAWINGS

FIG. 1 is a perspective view of a prior art mobile phone; FIG. 2 is a diagram showing the use state of a prior art mobile phone;

FIG. 3 is an exploded perspective view of the present invention and a mobile phone;

FIG. 4 is a perspective view of the present invention assembled with a mobile phone;

FIG. 5 is a cross-sectional view of the present invention assembled with a mobile phone;

FIG. 6 is a diagram showing the use state of the present invention assembled 10 with a mobile phone; and

FIG. 7 is an exploded perspective view according to a second embodiment of the present invention.

DETAILED DESCRIPTION OF PREFERRED EMBODIMENTS

As shown in FIGS. 3 to 6, the present invention relates to a protective mask of mobile phone and, more particularly, to an assembly structure used in a mobile phone. The protective mask of mobile phone of the present invention comprises an upper cover body 20 and a lower cover body 30.

The upper cover body 20 is integrally formed by mold injection of plastic. Patterns, types, or nameplates can be printed on a front side face of the upper cover body 20. The upper cover body 20 can be joined with a front phone housing 41 of a mobile phone 40, as shown in FIG. 4. A rear side face of the upper cover body 20 has a plurality of flanges 21, as shown in FIG. 3. The flanges 21 can be retained at the edge of the front phone housing 41 of the mobile phone 40. The front phone housing 41 of the mobile phone 40 can be sheathed in the upper cover body 20, as shown in FIG. 5.

The lower cover body 30 is integrally formed by mold injection of plastic. Patterns, types, or nameplates can be printed on the lower cover body 30. The lower cover body 30 can be joined with a rear phone housing 42 of the mobile phone 40, as shown in FIG. 4. The lower cover body 30 has a gap 31 to retain an antenna 43 of the mobile phone 40, as shown in FIG. 3. A plurality of cavities 32 are disposed beside the gap 31 of the lower cover body 30. The cavities 32 can correspond to an earphone cavity 44, an incoming-call informing light 45 and so on of the mobile phone 40 so that a user can conveniently use the functions of the mobile phone 40.

Finger recessions 33 are respectively disposed at two sides of the lower cover body 30 so that a user can easily unfold the pivotally joined front phone housing 41 and rear phone housing 42 to receive a call or operate the mobile phone 40, as shown in FIG. 6. The finger recessions 33 can also let the user conveniently separate the mobile phone 40 and the lower cover body 30 for performing operations such as replacing a battery (not shown) of the mobile phone 40.

US 10,097,676 B2

3

A plurality of holes 34 are disposed at one side of the lower cover body 30. The holes 34 can correspond to function keys (not shown) of the mobile phone 40 so that the user can successfully receive a call or set functions.

A bottom of the lower cover body 30 has a slot 35, which can correspond to a socket 46 (shown in FIG. 5) of the mobile phone 40 so that a user can plug in a power supply (not shown) of the mobile phone 40 to charge or recharge the mobile phone 40.

As shown in FIG. 7, a different upper cover body 20 and a different lower cover body 30 are matched according to the outer look of a different mobile phone 40 so as to satisfy users having different mobile phones 40. The connection and disposition ways are the same as the above first embodiment of the present invention.

The present invention uses the upper cover body 20 and the lower cover body 30 to sheathe the mobile phone 40 therein so as to effectively prevent abrasion of the mobile phone 40 due to the carelessness of a user, thereby preventing ill-favored scars on the mobile phone. Moreover, trend and fashion of the mobile phone 40 can be achieved without the need of replacing the mobile phone 40.

Although the present invention has been described with reference to the preferred embodiments thereof, it will be understood that the invention is not limited to the details thereof. Various substitutions and modifications have been suggested in the foregoing description, and others will occur to those of ordinary skill in the art. Therefore, all such substitutions and modifications are intended to be embraced within the scope of the invention as defined in the appended claims.

The invention claimed is:

1. A protective mask molded for frictional retention to an exterior housing of a mobile phone having user input and output interfaces, and internal components including circuitry and a battery, wherein the exterior housing completely encloses the circuitry and the battery when the mobile phone is fully assembled and ready for use, the exterior housing having an exterior shape formed by a back surface, and at least portions of opposed side surfaces, the protective mask comprising:

an integrally-formed mask body molded and contoured to conform and frictionally-fit tightly against the exterior shape of the exterior housing;

an inner surface of the integrally-formed mask body defining an interior space of the integrally-formed mask body and conforming to and in substantially continuous surface-to-surface contact with the exterior shape of the exterior housing, with no substantial space between the inner surface of the integrally-formed mask body and the exterior shape of the exterior housing;

at least one opening defined by the integrally-formed mask body permitting user access to at least the user input and output interfaces; and

at least one retainer having an extension protruding laterally inward from the integrally-formed mask body and toward and into the integrally-formed mask body interior space, wherein the at least one retainer is retained to the exterior housing at an exterior housing edge when the mask is coupled to the mobile communication device, the at least one retainer participating in retaining the integrally-formed mask body to the mobile communication device.

2. The protective mask of claim 1, wherein the integrally-formed mask body further includes indicia selected from the group consisting of text, graphic elements and combinations thereof.

4

3. The protective mask of claim 1, wherein the integrally-formed mask body includes at least one feature opening to permit access to at least one feature of the mobile phone.

4. The protective mask of claim 1, wherein the integrally-formed mask body includes a socket opening corresponding to a socket of the mobile phone and permitting a user to plug a power supply into the socket to charge the mobile phone.

5. A protective mask molded for frictional retention to an exterior housing of, and adapted to be coupled to, a mobile communication device having internal components including circuitry and a battery, wherein the exterior housing completely encloses the circuitry and battery when the mobile communication device is fully assembled and ready for use, and wherein the exterior housing has an exterior shape including a back face and at least portions of opposed side surfaces, the protective mask comprising:

an integrally-formed mask body molded and contoured to conform and frictionally fit to the exterior shape of the exterior housing;

an inner surface of the integrally-formed mask body defining an interior space of the integrally-formed mask body and conforming to and in substantially continuous surface-to-surface contact with the exterior shape of the exterior housing in overlying and protecting relationship, without a substantial gap between the inner surface of the integrally-formed mask body and the exterior shape of the exterior housing, the integrally-formed mask body defining an opening enabling the mask to be placed over the exterior shape in overlying and protecting relationship; and

at least one retainer having an extension protruding laterally inward from the integrally-formed mask body and toward and into the integrally-formed mask body interior space, wherein the at least one retainer is retained to the exterior housing at an exterior housing edge when the mask is coupled to the mobile communication device, the at least one retainer participating in retaining the integrally-formed mask body to the mobile communication device.

6. The protective mask of claim 5, wherein the mobile communication device includes a socket for battery charging and the integrally-formed mask body defines at least a battery-charging socket opening permitting a power supply to be connected to the socket.

7. The protective mask of claim 5, wherein the mobile communication device includes an earphone-connection socket and the integrally-formed mask body defines at least one earphone-connection socket opening permitting an earphone to be connected to the earphone-connection socket.

8. A mask for attachment to a hand-held mobile phone, the mobile phone having user input and output interfaces, internal components including circuitry and a battery, and an exterior housing completely enclosing the circuitry and battery when the mobile phone is fully assembled and ready for use, the exterior housing including a first face, a second face and opposed side surfaces there between, the mask comprising:

an integrally-formed mask body molded to conform to a shape of the exterior housing; and

inner and outer surfaces, the surfaces defining at least one opening in the integrally-formed mask body providing access to at least one of the user input and output interfaces, the integrally-formed mask body being configured such that, when the mask is attached to the mobile phone, the integrally-formed mask body is coextensive with, contours to and overlies the opposed

US 10,097,676 B2

5

side surfaces, with substantially no space between the mask body and the opposed side surfaces; and
 at least one retainer having an extension protruding laterally inward from the integrally-formed mask body and toward and into the integrally-formed mask body interior space, wherein the at least one retainer is retained to the exterior housing at an exterior housing edge when the mask is coupled to the mobile communication device, the at least one retainer participating in retaining the integrally-formed mask body to the mobile communication device.

9. A protective mask molded for frictional retention to an exterior housing of a fully assembled mobile communication device having user input and output interfaces, the mobile communication device further having internal components including circuitry and a battery completely enclosed by the exterior housing, and the exterior housing having an exterior shape formed by a back surface and at least portions of opposed side surfaces, the protective mask comprising:

an inner surface closely conforming to the exterior shape of the exterior housing and in substantially continuous surface-to-surface contact with the exterior shape of the exterior housing, with substantially no space between the inner surface of the protective mask and the exterior shape when the protective mask is retained to the exterior housing, the protective mask being molded, integrally formed, contoured and sized to fit tightly

6

against the exterior shape of the exterior housing, thereby providing retention of the protective mask to the exterior housing;

at least one opening defined by the protective mask permitting user access to at least the user input and output interfaces; and

at least one retainer having an extension protruding laterally inward from the integrally-formed mask body and toward and into the integrally-formed mask body interior space, wherein the at least one retainer is retained to the exterior housing at an exterior housing edge when the mask is coupled to the mobile communication device, the at least one retainer participating in retaining the integrally-formed mask body to the mobile communication device.

10. The protective mask of claim 9, wherein the protective mask further includes indicia selected from the group consisting of text, graphic elements and combinations thereof.

11. The protective mask of claim 9, wherein the protective mask includes at least one feature opening to permit access to at least one feature of the mobile communication device.

12. The protective mask of claim 9, wherein the protective mask includes a socket opening corresponding to a socket of the mobile communication device, permitting a user to plug a power supply into the socket to charge the mobile communication device.

* * * * *

EXHIBIT C

TO

**COMPLAINT FOR PATENT
INFRINGEMENT**

Main Sources:

- <https://cellcasesusa.com/>
- <https://cellcasesusa.com/> and click pulldown for “Apple”
- <https://cellcasesusa.com/> and click pulldown for “LG”
- <https://cellcasesusa.com/> and click pulldown for “Samsung”
- <https://cellcasesusa.com/> and click pulldown for “Motorola”

MOBILE DEVICE CASE SYLES

Case Style Name	Exemplary Photographs	Source for Photograph
<p>Double Layer Phone Case Cover</p>		<p>https://cellcasesusa.com/collections/iphone-11/products/for-apple-iphone-11-tiger-polkadots-design-double-layer-phone-case-cover</p> <p>https://cellcasesusa.com/collections/iphone-12-pro-max/products/for-apple-iphone-12-pro-max-he-is-risen-text-easter-jesus-christian-flowers-double-layer-phone-case-cover</p> <p>https://cellcasesusa.com/collections/galaxy-s21/products/for-samsung-galaxy-s21-ultra-love-like-jesus-flower-text-christian-double-layer-phone-case-cover</p>

MOBILE DEVICE MODELS FOR WHICH THERE ARE ACCUSED PRODUCTS

PHONE CASES

Apple: <https://cellcasesusa.com/> and click pulldown for “Apple”

iPhone 13 Pro Max	iPhone 11 Pro Max	iPhone 8 Plus
iPhone 13 Pro	iPhone 11 Pro	iPhone 7
iPhone 13	iPhone 11	iPhone 8
iPhone 13 Mini	iPhone Xs Max	iPhone SE
iPhone 12 Pro Max	iPhone Xs	iPhone 6S Plus
iPhone 12 Pro	iPhone X	iPhone 6S
iPhone 12	iPhone XR	
iPhone 12 Mini	iPhone 7 Plus	

LG: <https://cellcasesusa.com/> and click pulldown for “LG”

K92	Escape PLUS	Aristo 2
Stylo 6	Tribute Royal	Aristo 3
K51	K40	Risio 3
Aristo 5	Harmony 3	Fortune 2
K31	Stylo 5	Tribute Dynasty
Fortune 3	Stylo 4	Empire
Aristo 4 PLUS	G7 ThinQ	

Samsung: <https://cellcasesusa.com/> and click pulldown for “Samsung”

Galaxy A22	Galaxy A32	Galaxy S10 Plus
Galaxy A13	Galaxy A71 5G	Galaxy S10
Galaxy A02S	Galaxy A71 4G	Galaxy S10e Lite
Galaxy S21 Ultra	Galaxy A01	Galaxy A6
Galaxy S21 Plus	Galaxy A11	Galaxy Note 9
Galaxy S21	Galaxy S20 Ultra	Galaxy S9 Plus
Galaxy Note 20 Ultra	Galaxy S20 Plus	Galaxy S9
Galaxy Note 20	Galaxy S20	Galaxy J7 2018
Galaxy A51	Galaxy Note 10 Plus	Galaxy Refine
Galaxy A12	Galaxy Note 10	Galaxy Star
Galaxy A02	Galaxy A20	Galaxy J3 2018
Galaxy A72	Galaxy A30	Galaxy Amp Prime 3
Galaxy A21	Galaxy A50	Galaxy Express Prime 3
Galaxy A52	Galaxy A10E	

Motorola: <https://cellcasesusa.com/> and click pulldown for “Motorola”

One 5G Ace	Moto G Power 2021	Moto G Stylus
One 5G	Moto One Action	Moto G7 Play
Moto G Stylus 2021	Moto G Fast	Moto E6
Moto G Play 2021	Moto G Power 6.4 (2020)	Moto G7 Power Supra

Apple iPhone 11 Tiger Polkadots Design Double Layer Phone Case Cover

<https://cellcasesusa.com/collections/iphone-11/products/for-apple-iphone-11-tiger-polkadots-design-double-layer-phone-case-cover>

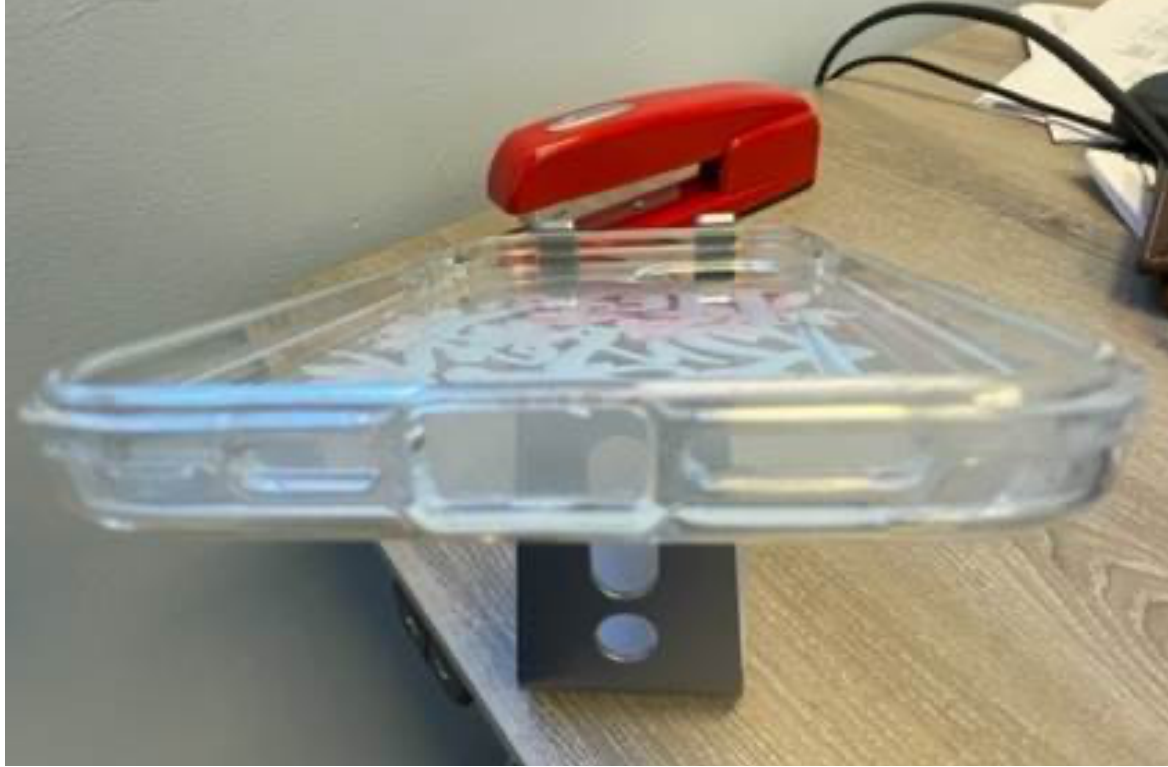




Apple iPhone 12 Pro Max He Is Risen Text Easter Jesus Christian Flowers Double Layer Phone Case Cover

<https://cellcasesusa.com/collections/iphone-12-pro-max/products/for-apple-iphone-12-pro-max-he-is-risen-text-easter-jesus-christian-flowers-double-layer-phone-case-cover>





Samsung Galaxy S21 Ultra Love Like Jesus Flower Text Christian Double Layer Phone Case Cover

<https://cellcasesusa.com/collections/galaxy-s21/products/for-samsung-galaxy-s21-ultra-love-like-jesus-flower-text-christian-double-layer-phone-case-cover>



