

1 LAW OFFICES OF MARC LIBARLE
2 Marc Libarle (CABN: 071678)
3 1388 Sutter St, Ste 910
4 San Francisco, CA 94109
5 Phone: (415) 928-2400
6 Email: ml7006@gmail.com

7 HALLER LAW PLLC
8 Timothy J. Haller (*Pro Hac Vice Pending*)
9 230 E Delaware Pl, Ste 5E
10 Chicago, IL 60611
11 Phone: (630) 336-4283
12 Email: haller@haller-iplaw.com

13 *Attorneys for Plaintiff,*
14 *BelAir Electronics, Inc.*

15 **UNITED STATES DISTRICT COURT**
16 **CENTRAL DISTRICT OF CALIFORNIA**
17 **WESTERN DIVISION**

18 **BELAIR ELECTRONICS, INC.,**

19 **Plaintiff,**

20 **v.**

21 **CASE LOGISTICS INC. AND**
22 **ECOMERS MARKETING, INC.,**

23 **Defendants.**

24 **Case No. 2:23-cv-3698**

25 **COMPLAINT FOR PATENT**
26 **INFRINGEMENT**

27
28 Plaintiff BelAir Electronics, Inc. complains of Defendants Case Logistics Inc. (also known as ULAK) and eComers Marketing, Inc. (collectively, “ULAK” or “Defendants”) as follows, all upon Plaintiff’s best information and belief:

COMPLAINT FOR PATENT INFRINGEMENT

1 **NATURE OF LAWSUIT**

2 1. This is a claim for patent infringement arising under the patent laws of the
3 United States, Title 35 of the United States Code.

4 **THE PARTIES**

5 2. Plaintiff BelAir Electronics, Inc. (“BelAir” or “Plaintiff”) is an Illinois
6 corporation with its principal place of business at 5723 Antler Lane, Westmont, Illinois
7 60559.

8 3. BelAir is the named assignee of, owns all right, title and interest in, and has
9 standing to sue for infringement of United States Patent No. 7,941,195, entitled “Protective
10 Mask of Mobile Phone,” which issued on May 10, 2011 (the “195 Patent”) (a true and
11 correct copy is attached as Exhibit A) and United States Patent No. 10,097,676, entitled
12 “Protective Mask of Mobile Phone,” which issued on October 9, 2018 (the “676 Patent”)
13 (a true and correct copy is attached as Exhibit B) (collectively, the “Asserted Patents”).

14 4. BelAir has the exclusive right to license, enforce and collect all past damages
15 for infringement of the Asserted Patents for the period starting six years prior to the filing
16 date of this suit (May 15, 2017) through the expirations of the Asserted Patents. BelAir
17 also has standing to sue for infringement of the Asserted Patents.

18 5. Upon information and belief, Defendant Case Logistics Inc. (also known as
19 ULAK) is a domestic California corporation with a registered principal address at 26565
20 Agoura Road, Suite 220, Calabasas, California 91302 and a further place of business at
21 17959 Ajax Circle, City Of Industry, California 91748.

22 6. Upon information and belief, Defendant eComers Marketing, Inc. is a
23 domestic California corporation with a registered principal address at 26565 Agoura Road,
24 Suite 220, Calabasas, California 91302 and a further place of business at 17959 Ajax
25 Circle, City Of Industry, California 91748.

26 7. In furtherance of Plaintiff’s review and analysis prior to filing this action,
27 Plaintiff studied Defendants’ publicly-available product literature and, among other things,
28 purchased an “ULAK Compatible with iPhone 14 Case Matte with Black Border, Hybrid

1 Shockproof Protective Phone Case, Not Yellowing Slim Thin Anti-Scratch TPU Bumper
2 Cover for iPhone 14 2022 6.1”, Frosted Black;” an “ULAK Compatible with iPhone 11
3 Wallet Case for Women Girls, PU Leather Flip Cover with Card Holder Kickstand
4 Magnetic Closure, TPU Interior Protective Purse Case for iPhone 11 6.1 Inch, Silver;” and
5 an “ULAK iPad 9th Generation Case 2021, iPad 8th 7th Generation Case 2020 2019, iPad
6 10.2 Case, Slim Lightweight Trifold Smart Shell with Auto Sleep/Wake Premium
7 Shockproof Cover for iPad 10.2 inch, Mint” from Defendants’ Amazon storefront for
8 assessment as representative of the products identified in Exhibit C.

9 8. Defendants primarily advertise and sell Accused Products at
10 <https://www.ulakcases.com/> and related urls in the ulakcases.com domain;
11 [https://www.amazon.com/stores/ULAK/page/25C1A400-E436-4C62-972A-](https://www.amazon.com/stores/ULAK/page/25C1A400-E436-4C62-972A-0D0FE90CF559?ref_=ast_bln)
12 [0D0FE90CF559?ref_=ast_bln](https://www.amazon.com/stores/ULAK/page/25C1A400-E436-4C62-972A-0D0FE90CF559?ref_=ast_bln) and related “ULAK” product pages accessed through
13 Amazon.com’s website; and <https://www.walmart.com/c/brand/ulak> and related “ULAK”
14 product pages accessed through Walmart.com’s website.

15 9. Defendants offer for sale and sell the Accused Products (as further identified
16 below) for mobile devices throughout the United States and this Judicial District.

17 JURISDICTION AND VENUE

18 10. BelAir’s claims for patent infringement against Defendants arise under the
19 patent laws of the United States including 35 U.S.C. §§ 271 and 281. Consequently, this
20 Court has original and exclusive subject matter jurisdiction over this Complaint pursuant
21 to 28 U.S.C. §§ 1331 and 1338(a).

22 11. Defendants own, operate, and conduct business in the state of California and
23 direct advertisements at residents of California – which are covered by claims of the
24 Asserted Patents – and throughout the United States including California and this Judicial
25 District.

26 12. Case Logistics Inc. (also known as ULAK) is a registered California
27 corporation currently doing business in this Judicial District, has purposefully availed itself
28 of the privilege of conducting business with residents of this Judicial District, has

1 purposefully reached out to residents of this Judicial District, and has established sufficient
2 minimum contacts with the State of California such that it should reasonably and fairly
3 anticipate being haled into court in California.

4 13. eComers Marketing, Inc. is a registered California corporation currently doing
5 business in this Judicial District, has purposefully availed itself of the privilege of
6 conducting business with residents of this Judicial District, has purposefully reached out to
7 residents of this Judicial District, and has established sufficient minimum contacts with the
8 State of California such that it should reasonably and fairly anticipate being haled into court
9 in California.

10 14. Venue in this Judicial District is proper under 28 U.S.C. § 1400(b) because
11 Defendants reside in this Judicial District.

12 **THE ACCUSED PRODUCTS**

13 15. Defendants have infringed certain claims of the Asserted Patents through the
14 manufacture, sale, offer for sale, advertisement, importation, shipment, distribution, and/or
15 use of Defendants' protective masks for mobile devices (herein referred to as the "Accused
16 Products").

17 16. As presently advised, the Accused Products include the following categories
18 of protective masks for mobile devices ("Case Styles"): Soft TPU and Hard PC Back Case;
19 Wallet Case; Soft TPU Case; Slim Dual Layer Soft Silicone and Hard Back Case; Silicon
20 Case; Reflective Case; Slim Lightweight Trifold Smart Case; and Multi-Angle Viewing
21 Case. (See Exhibit C; <https://www.ulakcases.com/> and related urls in the ulakcases.com
22 domain; [https://www.amazon.com/stores/ULAK/page/25C1A400-E436-4C62-972A-
23 0D0FE90CF559?ref_=ast_bln](https://www.amazon.com/stores/ULAK/page/25C1A400-E436-4C62-972A-0D0FE90CF559?ref_=ast_bln) and related "ULAK" product pages accessed through
24 Amazon.com's website; and <https://www.walmart.com/c/brand/ulak> and related "ULAK"
25 product pages accessed through Walmart.com's website).

26 17. As presently advised, the Accused Products include protective masks for at
27 least the following mobile devices: iPhone 5; iPhone 5s; iPhone 6; iPhone 6 Plus; iPhone
28 6s; iPhone 6s Plus; iPhone 7; iPhone 7 Plus; iPhone 8; iPhone 8 Plus; iPhone SE 2016;

1 iPhone SE 2020; iPhone SE 2022; iPhone X; iPhone XR; iPhone XS; iPhone XS Max;
2 iPhone 11; iPhone 11 Pro; iPhone 11 Pro Max; iPhone 12; iPhone 12 Mini; iPhone 12 Pro;
3 iPhone 12 Pro Max; iPhone 13; iPhone 13 Mini; iPhone 13 Pro; iPhone 13 Pro Max; iPhone
4 14; iPhone 14 Plus; iPhone 14 Pro; iPhone 14 Pro Max; Google Pixel 4 XL; LG Velvet;
5 Galaxy A32; Galaxy A51; Galaxy A71; Galaxy Note 3; Galaxy Note 4; Galaxy Note 5;
6 Galaxy Note 8; Galaxy Note 9; Galaxy Note 10+; Galaxy Note 10+ 5G; Galaxy Note 20;
7 Galaxy Note 20 Ultra; Galaxy S5; Galaxy S6; Galaxy S6 Edge; Galaxy S6 Edge+; Galaxy
8 S7; Galaxy S7 Edge; Galaxy S8; Galaxy S8+; Galaxy S9; Galaxy S9+; Galaxy S10; Galaxy
9 S10+; Galaxy S20 FE; Galaxy S20+; Galaxy S21; Galaxy S21 FE; Galaxy S21+; Galaxy
10 S22; Galaxy S22 Ultra; iPad 5 9.7” (2017); iPad 6 9.7” (2018); iPad 7 10.2” (2019); iPad
11 8 10.2” (2020); iPad 9 10.2” (2021); iPad Air 4 10.9” (2020); iPad Air 5 10.9” (2022); iPad
12 Mini 1; iPad Mini 2; iPad Mini 3; iPad Mini 4; iPad Mini 5; iPad Mini 6; iPad Pro 11”
13 (2018); and iPad Pro 11” (2020). (See Exhibit C; <https://www.ulakcases.com/> and related
14 urls in the [ulakcases.com](https://www.ulakcases.com/) domain;
15 [https://www.amazon.com/stores/ULAK/page/25C1A400-E436-4C62-972A-
16 0D0FE90CF559?ref_=ast_bln](https://www.amazon.com/stores/ULAK/page/25C1A400-E436-4C62-972A-0D0FE90CF559?ref_=ast_bln) and related “ULAK” product pages accessed through
17 Amazon.com’s website; and <https://www.walmart.com/c/brand/ulak> and related “ULAK”
18 product pages accessed through Walmart.com’s website).

19 18. As presently advised, the Accused Products include Defendants’ cases found
20 at <https://www.ulakcases.com/> and related urls in the [ulakcases.com](https://www.ulakcases.com/) domain;
21 [https://www.amazon.com/stores/ULAK/page/25C1A400-E436-4C62-972A-
22 0D0FE90CF559?ref_=ast_bln](https://www.amazon.com/stores/ULAK/page/25C1A400-E436-4C62-972A-0D0FE90CF559?ref_=ast_bln) and related “ULAK” product pages accessed through
23 Amazon.com’s website; and <https://www.walmart.com/c/brand/ulak> and related “ULAK”
24 product pages accessed through Walmart.com’s website.

25 19. The Accused Products, as illustrated below, are those protective masks that
26 are capable of being coupled to a portion of a mobile device so that the mobile device will
27 not fall out of the protective mask. The Accused Products are those protective masks that
28 comprise a flange or retainer (as recited in the asserted claims, *infra*). The Accused

1 Products also may use flange(s) or retainer(s) in conjunction with substantial surface to
2 surface contact by the inner surface of the protective mask which conforms to the contour
3 of the outer surface of the mobile device, working together to provide non-permanent,
4 temporary protection to the mobile device. While not required by all asserted claims, the
5 Accused Products are protective masks that include openings to allow access to the
6 interface as well as inputs and outputs, as well as protective masks that have patterns,
7 nameplates, type, text, or graphic elements. See Exhibit C for exemplary photos for all
8 categories of Defendants' case styles. Below are pictures of representative Accused
9 Products.



26 ULAK Compatible with iPhone 14 Case Matte with Black Border, Hybrid Shockproof
27 Protective Phone Case, Not Yellowing Slim Thin Anti-Scratch TPU Bumper Cover for
28

1 iPhone 14 2022 6.1”, Frosted Black: <https://www.amazon.com/dp/B0B97DHS7Q> (See
2 Exhibit C and pictures of representative products).



15 ULAK Compatible with iPhone 11 Wallet Case for Women Girls, PU Leather Flip Cover
16 with Card Holder Kickstand Magnetic Closure, TPU Interior Protective Purse Case for
17 iPhone 11 6.1 Inch, Silver: <https://www.amazon.com/dp/B0B568SZW8> (See Exhibit C
18 and pictures of representative products).



1
2
3
4
5
6
7
8
9
10
11
12
13
14
15
16
17
18
19
20
21
22
23
24
25
26
27
28



ULAK iPad 9th Generation Case 2021, iPad 8th 7th Generation Case 2020 2019, iPad 10.2 Case, Slim Lightweight Trifold Smart Shell with Auto Sleep/Wake Premium Shockproof Cover for iPad 10.2 inch, Mint: <https://www.amazon.com/dp/B07ZH5S7VT> (See Exhibit C and pictures of representative products).

20. The Accused Products subject to this Complaint include all substantively similar products and any predecessor and/or successor versions that satisfy each limitation of, and therefore infringed, any asserted claim of the Asserted Patents whether sold directly or via other online marketplaces or brick and mortar retail stores.

21. After adequate discovery, BelAir may seek leave to amend this Complaint to include additional details of infringement, if any, by other products hereafter discovered to infringe the Asserted Patents.

INFRINGEMENT BY DEFENDANTS

COUNT I: INFRINGEMENT OF UNITED STATES PATENT NO. 7,941,195

22. Plaintiff BelAir realleges and incorporates by reference paragraphs 1 through 21, inclusive, as though fully set forth herein.

1 23. Defendants directly infringed at least independent Claim 9 of the ‘195 Patent
2 (prior to its expiration on or about November 16, 2022).

3 **CLAIM 9**

4 24. The Accused Products, as manufactured, sold, offered for sale, advertised,
5 imported, shipped, distributed, and/or used by Defendants, comprised a protective mask
6 adapted to be coupled to an exterior housing of a mobile phone having internal components
7 including circuitry and a battery, which are covered by the exterior housing, in accordance
8 with the limitations of Claim 9 of the ‘195 Patent.

9 25. Specifically, the Accused Products comprised:

- 10 a. a first mask portion, molded to conform to the shape of a first portion
11 of the exterior housing of the mobile phone; and
12 b. the first mask portion having flanges to allow the first mask portion to
13 be coupled to the mobile phone to retain the first mask portion to the
14 first portion of the exterior housing so that the first mask portion covers
15 the first portion of the exterior housing of the mobile phone.

16 26. To the extent required by law, BelAir has complied with the provisions of 35
17 U.S.C. § 287.

18 27. Defendants had notice of the ‘195 Patent and the likelihood of infringement
19 thereof at least as early as November 18, 2022, pursuant to email correspondence from
20 BelAir to Defendants via ULAK’s and Resident Agent, Yong (George) Chen. A follow up
21 email was sent on December 21, 2022. Defendants did not respond to either the November
22 18 or December 21, 2022, communications, leaving BelAir no choice but to file this
23 litigation in order to protect its intellectual property rights.

24 28. Defendants’ direct infringement as described above, either literally or under
25 the doctrine of equivalents, has injured BelAir and BelAir is entitled to recover damages
26 adequate to compensate it for such infringement, but in no event less than a reasonable
27 royalty.

1 integrally-formed mask body interior space, wherein the at least one
2 retainer is retained to the exterior housing at an exterior housing edge
3 when the mask is coupled to the mobile communication device, the at
4 least one retainer participating in retaining the integrally-formed mask
5 body to the mobile communication device.

6 33. As presently advised, one or more Accused Products also likely satisfied the
7 limitations of, and infringed, dependent Claims 2, 3, and 4 of the '676 Patent.

8 **CLAIM 5**

9 34. The Accused Products, as manufactured, sold, offered for sale, advertised,
10 imported, shipped, distributed, and/or used by Defendants, comprised a protective mask
11 molded for frictional retention to an exterior housing of, and adapted to be coupled to, a
12 mobile communication device having internal components including circuitry and a
13 battery, wherein the exterior housing completely encloses the circuitry and battery when
14 the mobile communication device is fully assembled and ready for use, and wherein the
15 exterior housing has an exterior shape including a back face and at least portions of opposed
16 side surfaces, in accordance with the limitations of Claim 5 of the '676 Patent.

17 35. Specifically, the Accused Products comprised:

- 18 a. an integrally-formed mask body molded and contoured to conform and
19 frictionally fit to the exterior shape of the exterior housing;
- 20 b. an inner surface of the integrally-formed mask body defining an interior
21 space of the integrally-formed mask body and conforming to and in
22 substantially continuous surface-to-surface contact with the exterior
23 shape of the exterior housing in overlying and protecting relationship,
24 without a substantial gap between the inner surface of the integrally-
25 formed mask body and the exterior shape of the exterior housing, the
26 integrally-formed mask body defining an opening enabling the mask to
27 be placed over the exterior shape in overlying and protecting
28 relationship; and

1 c. at least one retainer having an extension protruding laterally inward
2 from the integrally-formed mask body and toward and into the
3 integrally-formed mask body interior space, wherein the at least one
4 retainer is retained to the exterior housing at an exterior housing edge
5 when the mask is coupled to the mobile communication device, the at
6 least one retainer participating in retaining the integrally-formed mask
7 body to the mobile communication device.

8 36. As presently advised, one or more Accused Products also likely satisfied the
9 limitations of, and infringed, dependent Claims 6 and 7 of the '676 Patent.

10 **CLAIM 8**

11 37. The Accused Products, as manufactured, sold, offered for sale, advertised,
12 imported, shipped, distributed, and/or used by Defendants, comprised a mask for
13 attachment to a hand-held mobile phone, the mobile phone having user input and output
14 interfaces, internal components including circuitry and a battery, and an exterior housing
15 completely enclosing the circuitry and battery when the mobile phone is fully assembled
16 and ready for use, the exterior housing including a first face, a second face and opposed
17 side surfaces there between, in accordance with the limitations of Claim 8 of the '676
18 Patent.

19 38. Specifically, the Accused Products comprised:

- 20 a. an integrally-formed mask body molded to conform to a shape of the
21 exterior housing;
- 22 b. inner and outer surfaces, the surfaces defining at least one opening in
23 the integrally-formed mask body providing access to at least one of the
24 user input and output interfaces, the integrally-formed mask body being
25 configured such that, when the mask is attached to the mobile phone,
26 the integrally-formed mask body is coextensive with, contours to and
27 overlies the opposed side surfaces, with substantially no space between
28 the mask body and the opposed side surfaces; and

- 1 c. at least one retainer having an extension protruding laterally inward
2 from the integrally-formed mask body and toward and into the
3 integrally-formed mask body interior space, wherein the at least one
4 retainer is retained to the exterior housing at an exterior housing edge
5 when the mask is coupled to the mobile communication device, the at
6 least one retainer participating in retaining the integrally-formed mask
7 body to the mobile communication device.

8 **CLAIM 9**

9 39. The Accused Products, as manufactured, sold, offered for sale, advertised,
10 imported, shipped, distributed, and/or used by Defendants, comprised a protective mask
11 molded for frictional retention to an exterior housing of a fully assembled mobile
12 communication device having user input and output interfaces, the mobile communication
13 device further having internal components including circuitry and a battery completely
14 enclosed by the exterior housing, and the exterior housing having an exterior shape formed
15 by a back surface and at least portions of opposed side surfaces, in accordance with the
16 limitations of Claim 9 of the '676 Patent.

17 40. Specifically, the Accused Products comprised:

- 18 a. an inner surface closely conforming to the exterior shape of the exterior
19 housing and in substantially continuous surface-to-surface contact with
20 the exterior shape of the exterior housing, with substantially no space
21 between the inner surface of the protective mask and the exterior shape
22 when the protective mask is retained to the exterior housing, the
23 protective mask being molded, integrally formed, contoured and sized
24 to fit tightly against the exterior shape of the exterior housing, thereby
25 providing retention of the protective mask to the exterior housing;
- 26 b. at least one opening defined by the protective mask permitting user
27 access to at least the user input and output interfaces; and
28

1 c. at least one retainer having an extension protruding laterally inward
2 from the integrally-formed mask body and toward and into the
3 integrally-formed mask body interior space, wherein the at least one
4 retainer is retained to the exterior housing at an exterior housing edge
5 when the mask is coupled to the mobile communication device, the at
6 least one retainer participating in retaining the integrally-formed mask
7 body to the mobile communication device.

8 41. As presently advised, one or more Accused Products also likely satisfied the
9 limitations of, and infringed, dependent Claims 10, 11, and 12 of the '676 Patent.

10 42. To the extent required by law, BelAir has complied with the provisions of 35
11 U.S.C. § 287.

12 43. Defendants had notice of the '676 Patent and the likelihood of infringement
13 thereof at least as early as November 18, 2022, pursuant to email correspondence from
14 BelAir to Defendants via ULAK's and Resident Agent, Yong (George) Chen. A follow up
15 email was sent on December 21, 2022. Defendants did not respond to either the November
16 18 or December 21, 2022, communications, leaving BelAir no choice but to file this
17 litigation in order to protect its intellectual property rights.

18 44. Defendants' direct infringement as described above, either literally or under
19 the doctrine of equivalents, has injured BelAir and BelAir is entitled to recover damages
20 adequate to compensate it for such infringement, but in no event less than a reasonable
21 royalty.

22 PRAYER FOR RELIEF

23 A. WHEREFORE, Plaintiff BelAir Electronics, Inc. respectfully requests this
24 Court to enter judgment against Case Logistics Inc. and eComers Marketing, Inc. – and
25 against each of their subsidiaries, successors, parents, affiliates, officers, directors, agents,
26 servants, employees, and all persons in active concert or participation with them – granting
27 the following relief:

28 B. The entry of judgment in favor of Plaintiff and against Defendants;

1 C. An award of damages against Defendants adequate to compensate Plaintiff
2 for the infringement that occurred from at least May 15, 2017 through expirations of the
3 Asserted Patents, but in no event less than a reasonable royalty as permitted by 35 U.S.C.
4 § 284, together with prejudgment interest from the date infringement began; and

5 D. Such other relief to which Plaintiff is entitled under the law and any other and
6 further relief that this Court or a jury may deem just and proper.

7 **JURY DEMAND**

8 Plaintiff demands a trial by jury on all issues presented in this Complaint.

9
10 Dated: May 15, 2023

Respectfully submitted,

11 /s/ Marc Libarle

12 LAW OFFICES OF MARC LIBARLE

13 Marc Libarle (CABN: 071678)

14 ml7006@gmail.com

15 1388 Sutter St, Ste 910

San Francisco, CA 94109

16 (415) 928-2400

17 HALLER LAW PLLC

18 Timothy J. Haller (*Pro Hac Vice Pending*)

19 haller@haller-iplaw.com

20 *Attorneys for Plaintiff,*

21 *BelAir Electronics, Inc.*

EXHIBIT A

TO

**COMPLAINT FOR PATENT
INFRINGEMENT**

**United States Patent No.
7,941,195**



US007941195B2

(12) **United States Patent**
Peng

(10) **Patent No.:** US 7,941,195 B2
(45) **Date of Patent:** *May 10, 2011

(54) **PROTECTIVE MASK OF MOBILE PHONE**

5,012,513 A 4/1991 Dale et al.
D337,435 S 7/1993 Kaneko et al.
D338,470 S 8/1993 Clayton
D342,262 S 12/1993 Hester
D348,472 S 7/1994 Cyfko
5,383,091 A 1/1995 Snell

(75) Inventor: **Kuan-Lin Peng**, Taipei (TW)

(73) Assignee: **Gregory J. Kim**, Westmont, IL (US)

(*) Notice: Subject to any disclaimer, the term of this patent is extended or adjusted under 35 U.S.C. 154(b) by 654 days.

This patent is subject to a terminal disclaimer.

(Continued)

FOREIGN PATENT DOCUMENTS

DE 20019958.7 2/2001

(Continued)

(21) Appl. No.: **11/673,237**

OTHER PUBLICATIONS

(22) Filed: **Feb. 9, 2007**

IL Telefono Cellulare & C. 2 pages. Date: Oct. 2000. (Shows replacement mobile telephone housing portions.).

(65) **Prior Publication Data**

US 2007/0191079 A1 Aug. 16, 2007

Related U.S. Application Data

(63) Continuation of application No. 09/888,488, filed on Jun. 26, 2001, now Pat. No. 7,194,291.

Primary Examiner — Kent Chang

Assistant Examiner — Dinh P Nguyen

(74) *Attorney, Agent, or Firm* — Jansson Shupe & Munger Ltd.

(30) **Foreign Application Priority Data**

Nov. 17, 2000 (CN) 00 2 52902 U

(57) **ABSTRACT**

The present invention relates to a protective mask of mobile phone comprising an upper cover body and a lower cover body. The upper and lower cover bodies can be joined with a front and a rear phone housings of a mobile phone, respectively, to effectively prevent abrasion of the mobile phone due to carelessness of a user, thereby preventing ill-favored scars on the mobile phone. Therefore, the deterioration of the quality of the mobile phone and the fall of its value can be avoided. Moreover, trend and fashion of the mobile phone can be achieved without the need of replacing the mobile phone. Therefore, waste of money can be avoided, and economic burden to the user can be lessened.

(51) **Int. Cl.**

H04M 1/00 (2006.01)

(52) **U.S. Cl.** **455/575.8**; 455/550.1; 455/575.1

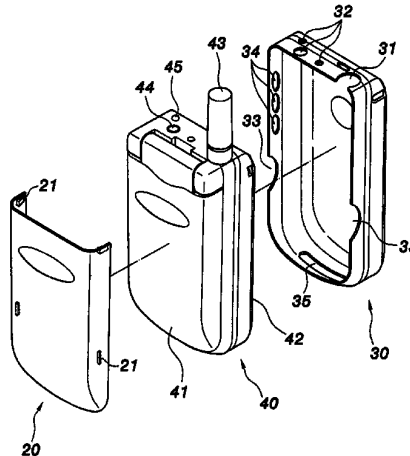
(58) **Field of Classification Search** 455/575.8, 455/575.9, 575.1, 550.1, 90.1, 90.3, 348, 455/349, 550; 379/433.01, 433.11, 451
See application file for complete search history.

(56) **References Cited**

U.S. PATENT DOCUMENTS

D211,355 S 6/1968 Farnham et al.
D219,451 S 12/1970 Blackman
4,121,061 A 10/1978 Donaldson

12 Claims, 7 Drawing Sheets



US 7,941,195 B2

Page 2

U.S. PATENT DOCUMENTS

D365,927 S 1/1996 Cho
 D369,903 S 5/1996 Tetrault
 5,586,704 A 12/1996 Alexander et al.
 D382,538 S 8/1997 Brunette
 D385,283 S 10/1997 Snyder et al.
 D385,554 S 10/1997 Nuovo et al.
 5,678,204 A 10/1997 Naylor
 D395,749 S 7/1998 Jayez
 D396,951 S 8/1998 Huber
 D397,246 S 8/1998 Hoofnagle et al.
 5,809,403 A 9/1998 MacDonald, Jr. et al.
 D400,541 S 11/1998 Harrison
 D408,402 S 4/1999 Shimelfarb et al.
 5,896,277 A 4/1999 Leon et al.
 5,933,330 A 8/1999 Beutler et al.
 5,988,577 A 11/1999 Phillips et al.
 6,006,074 A 12/1999 De Larminat et al.
 6,011,699 A 1/2000 Murray et al.

D425,907 S 5/2000 Frye et al.
 6,073,034 A 6/2000 Jacobsen et al.
 6,075,977 A 6/2000 Bayrami
 6,082,535 A 7/2000 Mitchell
 6,130,945 A 10/2000 Shin
 6,157,545 A 12/2000 Janninck et al.
 6,201,867 B1 3/2001 Koike
 D448,368 S 9/2001 Bettag et al.
 6,591,088 B1 7/2003 Watanabe
 6,594,472 B1 7/2003 Curtis et al.
 6,842,633 B1 1/2005 Deo et al.
 7,194,291 B2* 3/2007 Peng 455/575.8
 2001/0034211 A1 10/2001 Kuroshima et al.
 2002/0193136 A1 12/2002 Halkosaari et al.

FOREIGN PATENT DOCUMENTS

DE 20111112.8 9/2001

* cited by examiner

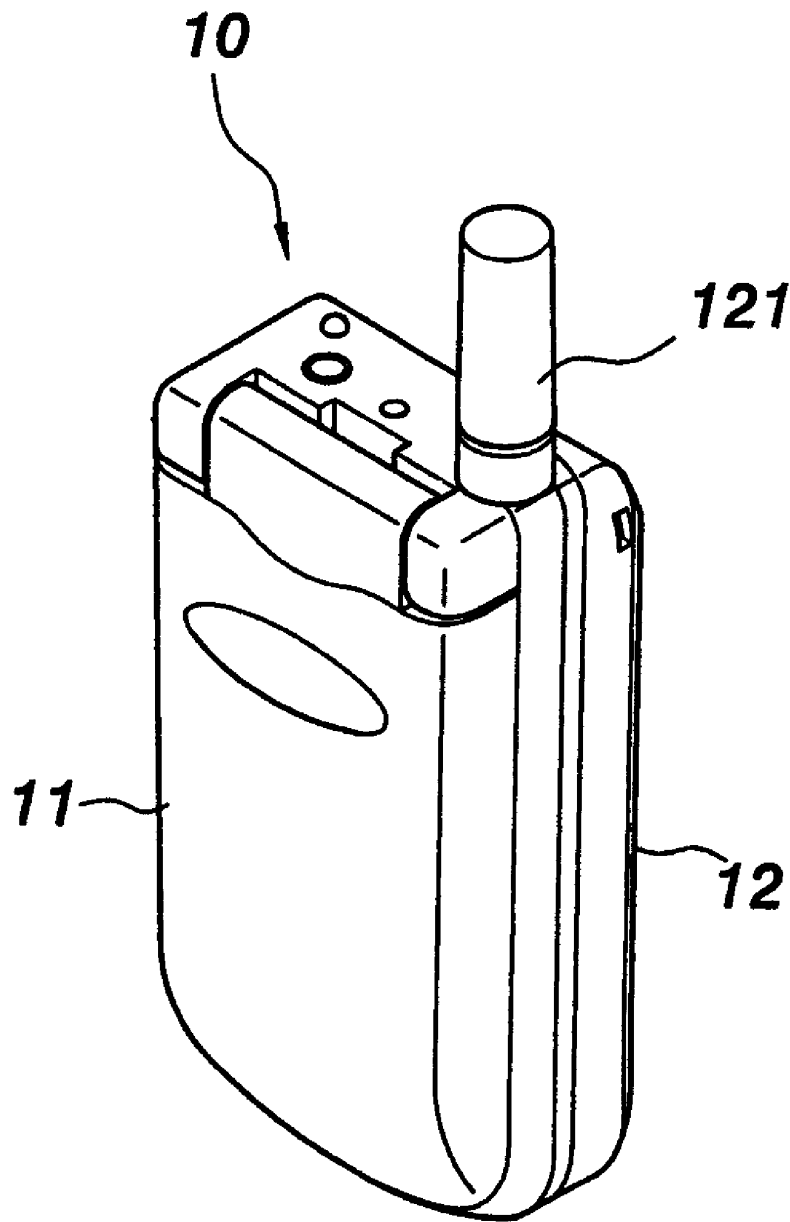


FIG. 1
PRIOR ART

U.S. Patent

May 10, 2011

Sheet 2 of 7

US 7,941,195 B2

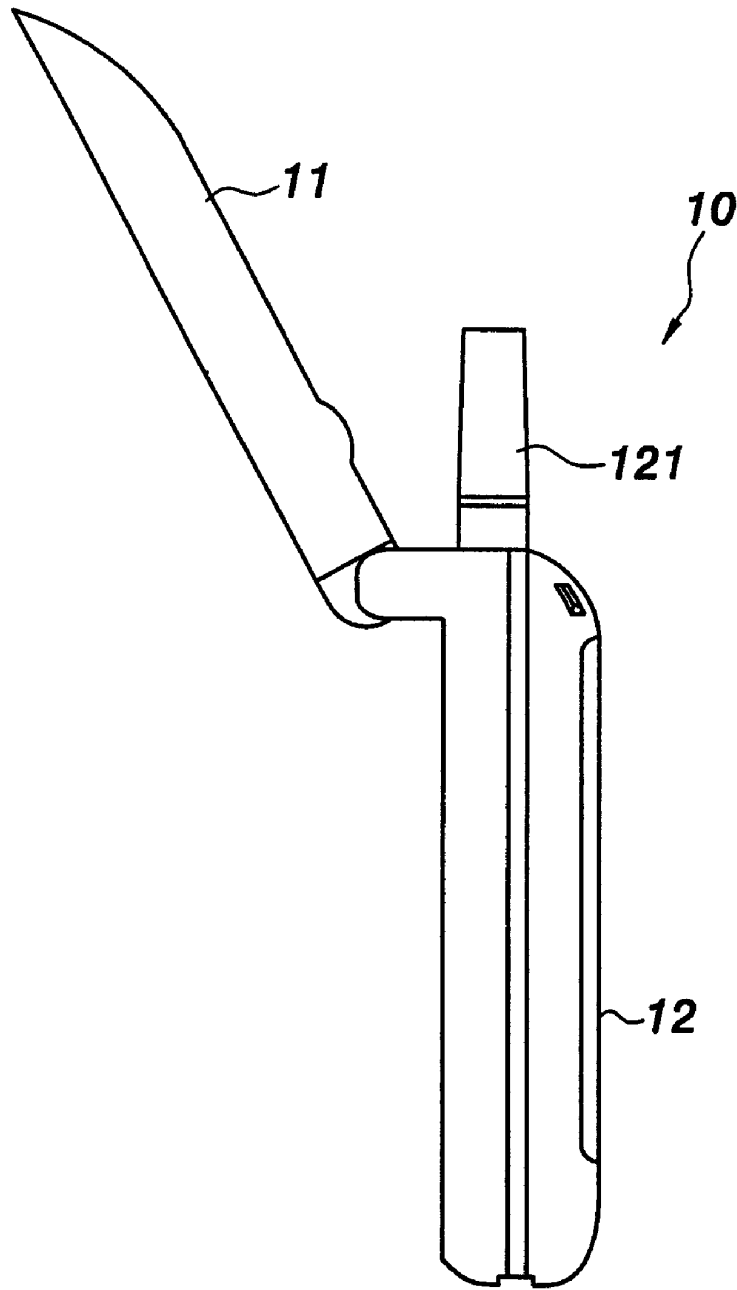


FIG. 2
PRIOR ART

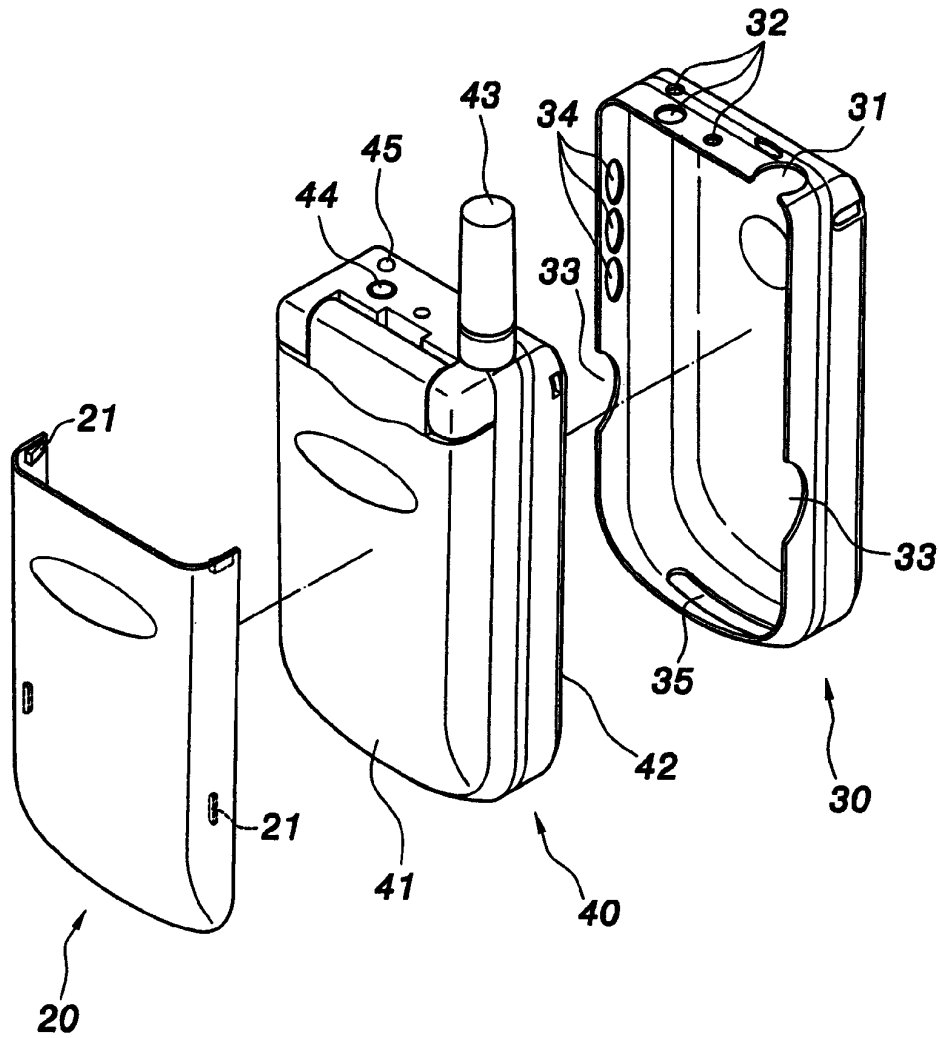


FIG. 3

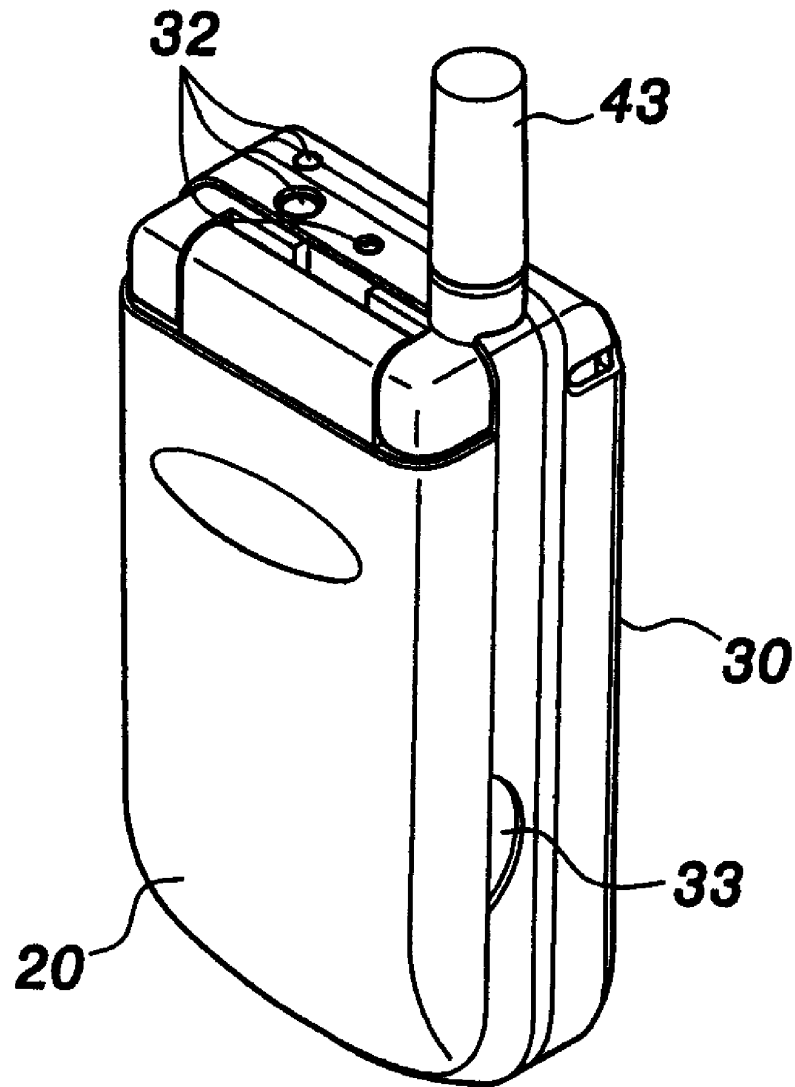


FIG. 4

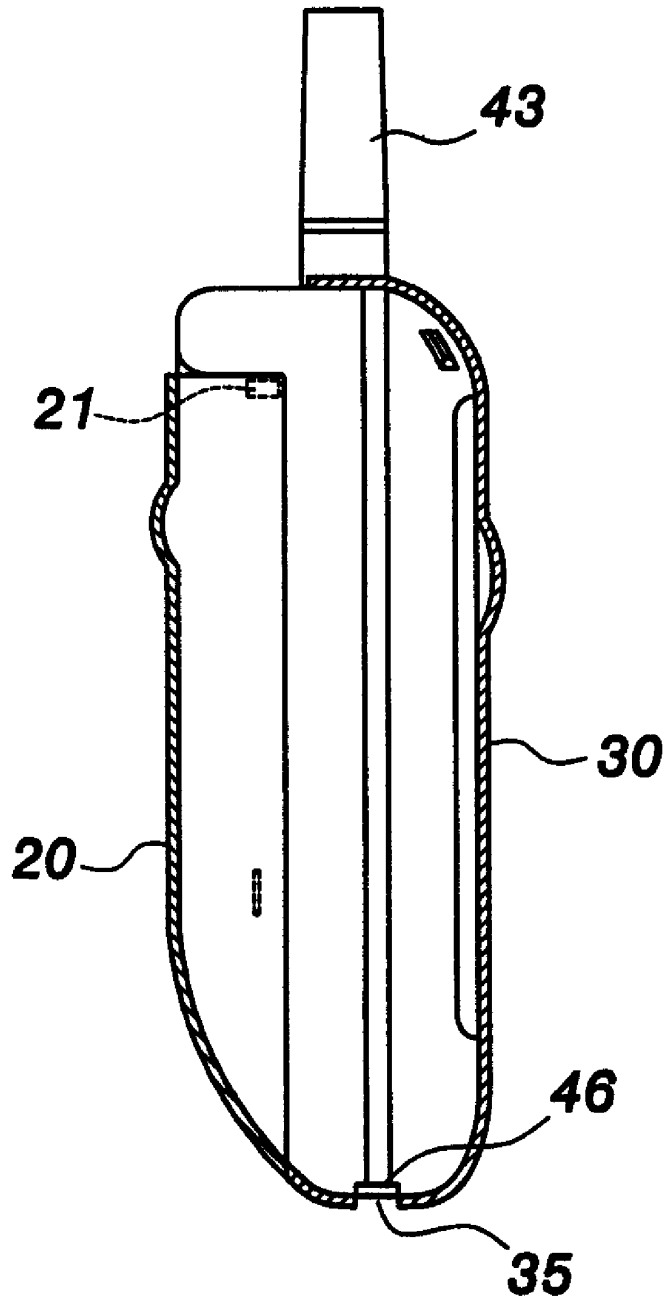


FIG. 5

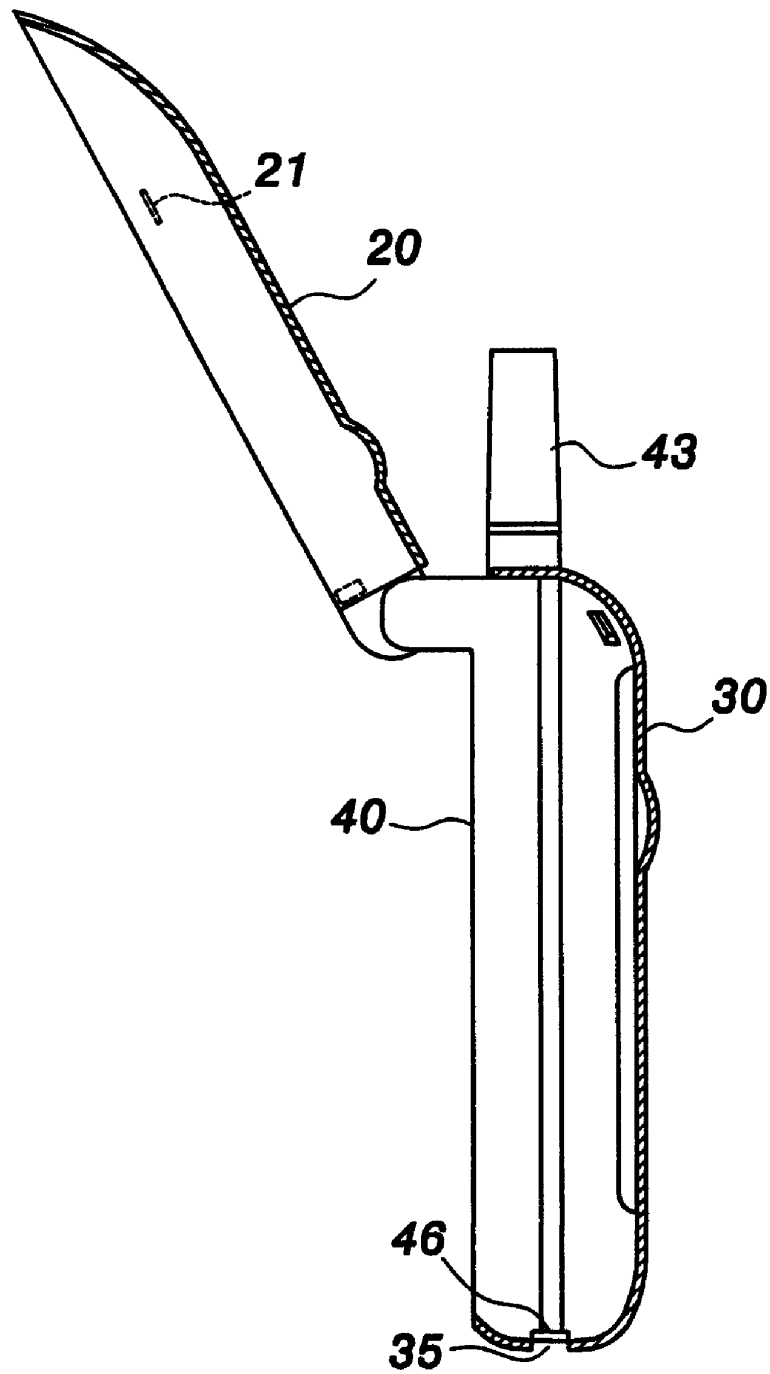


FIG. 6

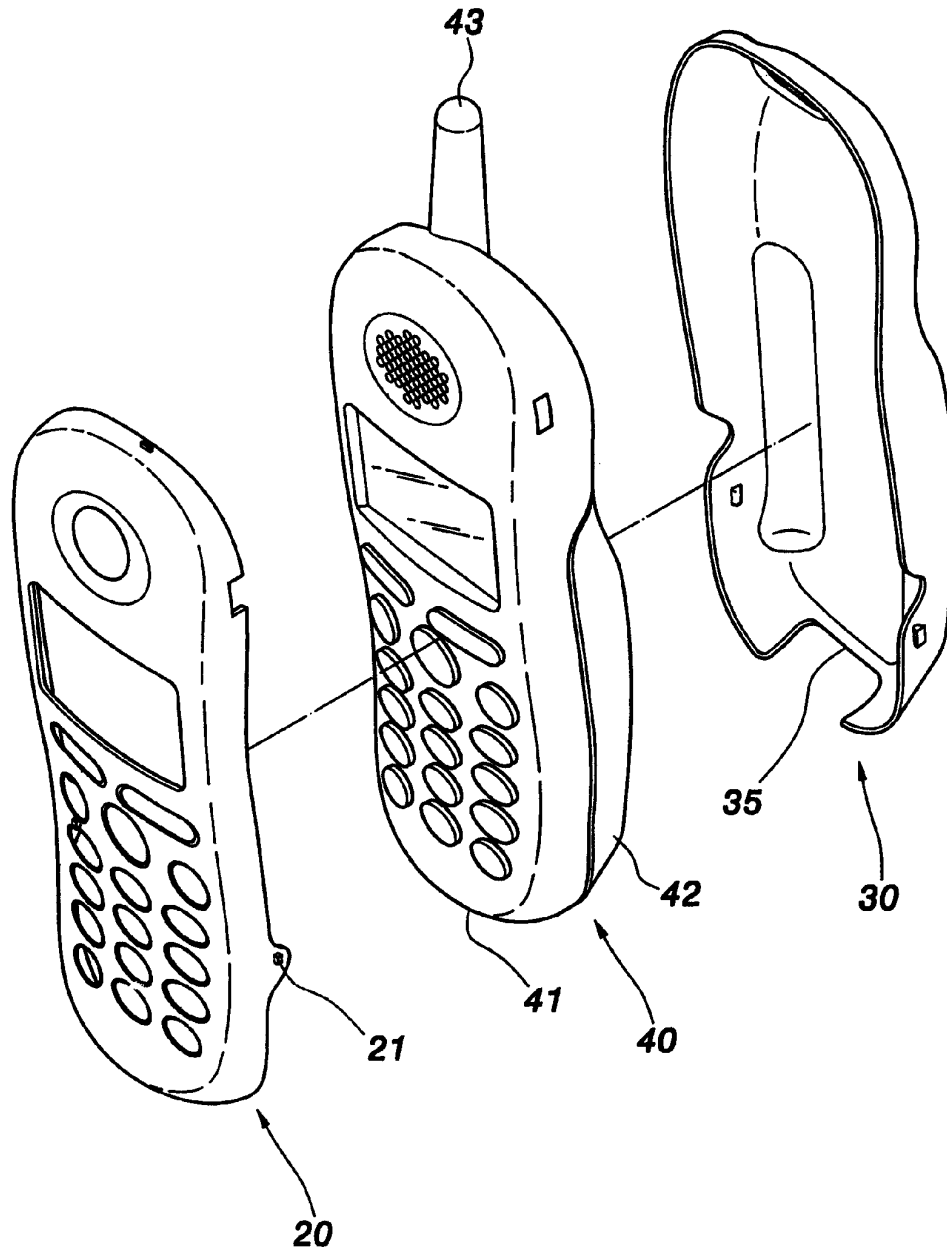


FIG. 7

US 7,941,195 B2

1

PROTECTIVE MASK OF MOBILE PHONECROSS-REFERENCE TO RELATED PATENT
APPLICATIONS

This continuation application claims priority to U.S. patent application Ser. No. 09/888,488 filed Jun. 26, 2001, now U.S. Pat. No. 7,194,291 and Chinese Patent Application No. CN00252902.5 filed Nov. 17, 2000, which are expressly incorporated by reference herein.

FIELD OF THE INVENTION

The present invention relates to a protective mask of mobile phone and, more particularly, to an assembly structure used in a mobile phone

BACKGROUND OF THE INVENTION

FIGS. 1 and 2 show the structure of a prior art mobile phone. The outer look of the structure is approximately a rectangular parallelepiped comprising a front phone housing and a rear phone housing. One end of the front phone housing 11 is pivotally joined with one end of the rear phone housing 12, as shown in FIG. 2. An antenna 121 is disposed on the rear phone housing 12. A mobile phone 10 is formed after assembling the front and rear phone housings 11 and 12. The mobile phone 10 can be used for receiving a call, dialing a telephone number, making a call, displaying messages, and setting functions.

However, because the front and rear phone housings 11 and 12 of the mobile phone 10 are very smooth and delicate, abrasion may easily arise due to carelessness of a user so as to generate ill-favored scars thereon, resulting in the deterioration of the quality of the mobile phone and the fall of its value.

Moreover, the design of the mobile phone 10 tends to be more and more diversified in consideration of trend and fashion. The user usually spends a lot of money to change the mobile phone 10 to adhere to the fashion, resulting in waste of money.

Accordingly, the above mobile phone structure has inconvenience and drawbacks in practical installation and use. The present invention aims to resolve the problems in the prior art.

SUMMARY OF THE INVENTION

The primary object of the present invention is to provide a protective mask of mobile phone to effectively prevent abrasion of a mobile phone due to carelessness of a user, thereby preventing ill-favored scars on the mobile phone. Therefore, the deterioration of the quality of the mobile phone and the fall of its value can be avoided.

The secondary object of the present invention is to provide a protective mask of mobile phone so that trend and fashion of a mobile phone can be achieved without the need of replacing the mobile phone. Therefore, waste of money can be avoided, and economic burden to the user can be lessened.

To achieve the above objects, the present invention provides a protective mask of mobile phone comprising an upper cover body and a lower cover body. The upper and lower cover bodies are integrally formed by means of mold ejection of plastic. Patterns, types, or nameplates can be printed on the upper and lower cover bodies. The upper and lower cover bodies can sheathe a mobile phone therein. A gap, cavities, and slots corresponding to an antenna, an earphone cavity, an incoming-call informing light and so on of the mobile phone are disposed on the lower cover body so that a user can

2

successfully receive a call and use various kinds of functions and settings of the mobile phone.

The various objects and advantages of the present invention will be more readily understood from the following detailed description when read in conjunction with the appended drawings, in which:

BRIEF DESCRIPTION OF THE DRAWINGS

FIG. 1 is a perspective view of a prior art mobile phone; FIG. 2 is a diagram showing the use state of a prior art mobile phone;

FIG. 3 is an exploded perspective view of the present invention and a mobile phone;

FIG. 4 is a perspective view of the present invention assembled with a mobile phone;

FIG. 5 is a cross-sectional view of the present invention assembled with a mobile phone;

FIG. 6 is a diagram showing the use state of the present invention assembled 10 with a mobile phone; and

FIG. 7 is an exploded perspective view according to a second embodiment of the present invention.

DETAILED DESCRIPTION OF THE PREFERRED
EMBODIMENTS

As shown in FIGS. 3 to 6, the present invention relates to a protective mask of mobile phone and, more particularly, to an assembly structure used in a mobile phone. The protective mask of mobile phone of the present invention comprises an upper cover body 20 and a lower cover body 30.

The upper cover body 20 is integrally formed by mold ejection of plastic. Patterns, types, or nameplates can be printed on a front side face of the upper 20 cover body 20. The upper cover body 20 can be joined with a front phone housing 41 of a mobile phone 40, as shown in FIG. 4. A rear side face of the upper cover body 20 has a plurality of flanges 21, as shown in FIG. 3. The flanges 21 can be retained at the edge of the front phone housing 41 of the mobile phone 40. The front phone housing 41 of the mobile phone 40 can be sheathed in the upper cover body 20, as shown in FIG. 5.

The lower cover body 30 is integrally formed by mold ejection of plastic. Patterns, types, or nameplates can be printed on the lower cover body 30. The lower cover body 30 can be joined with a rear phone housing 42 of the mobile phone 40, as shown in FIG. 4. The lower cover body 30 has a gap 31 to retain an antenna 43 of the mobile phone 40, as shown in FIG. 3. A plurality of cavities 32 are disposed beside the gap 31 of the lower cover body 30. The cavities 32 can correspond to an earphone cavity 44, an incoming-call informing light 45 and so on of the mobile phone 40 so that a user can conveniently use the functions of the mobile phone 40.

Finger recessions 33 are respectively disposed at two sides of the lower cover body 30 so that a user can easily unfold the pivotally joined front phone housing 41 and rear phone housing 42 to receive a call or operate the mobile phone 40, as shown in FIG. 6. The finger recessions 33 can also let the user conveniently separate the mobile phone 40 and the lower cover body 30 for performing operations such as replacing a battery (not shown) of the mobile phone 40. A plurality of holes 34 are disposed at one side of the lower cover body 30. The holes 34 can correspond to function keys (not shown) of the mobile phone 40 so that the user can successfully receive a call or set functions.

A bottom of the lower cover body 30 has a slot 35, which can correspond to a socket 46 (shown in FIG. 5) of the mobile

US 7,941,195 B2

3

phone **40** so that a user can plug in a power supply (not shown) of the mobile phone **40** to charge or recharge the mobile phone **40**.

As shown in FIG. 7, a different upper cover body **20** and a different lower cover body **30** are matched according to the outer look of a different mobile phone **40** so as to satisfy users having different mobile phones **40**. The connection and disposition ways are the same as the above first embodiment of the present invention.

The present invention uses the upper cover body **20** and the lower cover body **30** to sheathe the mobile phone **40** therein so as to effectively prevent abrasion of the mobile phone **40** due to the carelessness of a user, thereby preventing ill-favored scars on the mobile phone. Moreover, trend and fashion of the mobile phone **40** can be achieved without the need of replacing the mobile phone **40**.

Although the present invention has been described with reference to the preferred embodiments thereof, it will be understood that the invention is not limited to the details thereof. Various substitutions and modifications have been suggested in the foregoing description, and others will occur to those of ordinary skill in the art. Therefore, all such substitutions and modifications are intended to be embraced within the scope of the invention as defined in the appended claims.

What is claimed is:

1. A protective mask adapted to be coupled to an exterior housing of a mobile phone having internal components including circuitry and a battery, which are covered by the exterior housing, the protective mask comprising:

a first mask portion, molded to conform to the shape of a first portion of the exterior housing of the mobile phone, the first mask portion adapted to be coupled to the mobile phone to retain the first mask portion to the first portion of the exterior housing so that the first mask portion covers the first portion of the exterior housing of the mobile phone; and

a second mask portion, molded to conform to the shape of a second portion of the exterior housing of the mobile phone, the second mask portion adapted to be coupled to the mobile phone to retain the second mask portion to the second portion of the exterior housing so that the second mask portion covers the second portion of the exterior housing of the mobile phone;

wherein said first and second mask portions are retained to the exterior housing of the mobile phone.

2. The protective mask of claim **1**, wherein patterns, types, or nameplates can be printed on said first and second mask portions.

3. The protective mask of claim **1**, wherein the first mask portion includes at least one opening to permit access to features of the mobile phone.

4. The protective mask of claim **1**, wherein said second mask portion includes at least one opening to permit access to features of the mobile phone.

5. The protective mask of claim **1**, wherein said second mask portion includes an opening corresponding to a socket

4

of said mobile phone so that a user can conveniently plug in a power supply to charge said mobile phone.

6. A protective mask adapted to be coupled to an exterior housing of a mobile phone, the mobile phone having internal components including circuitry and a battery, which are covered by the exterior housing, the protective mask comprising:

a first mask portion, molded to conform to the shape of a first portion of the exterior housing of the mobile phone, the first mask portion is adapted to be coupled to the mobile phone to retain the first mask portion to the first portion of the exterior housing so that the first mask portion covers the first portion of the exterior housing of the mobile phone;

said first mask portion including an opening that is associated with an opening in the exterior housing to permit access to a feature of the mobile phone; and

a second mask portion, molded to conform to the shape of a second portion of the exterior housing of the mobile phone, the second mask portion adapted to be coupled to the mobile phone to retain the second mask portion to the second portion of the exterior housing so that the second mask portion covers the second portion of the exterior housing of the mobile phone;

wherein said first and second mask portions are retained to the exterior housing of the mobile phone.

7. The protective mask of claim **6**, wherein patterns, types, or nameplates can be printed on said first and second mask portions.

8. The protective mask of claim **6**, wherein the second mask portion includes an opening to permit access to a feature of the mobile phone.

9. A protective mask adapted to be coupled to an exterior housing of a mobile phone having internal components including circuitry and a battery, which are covered by the exterior housing, the protective mask comprising:

a first mask portion, molded to conform to the shape of a first portion of the exterior housing of the mobile phone, the first mask portion having flanges to allow the first mask portion to be coupled to the mobile phone to retain the first mask portion to the first portion of the exterior housing so that the first mask portion covers the first portion of the exterior housing of the mobile phone.

10. The protective mask of claim **9**, further comprising a second mask portion, molded to conform to the shape of a second portion of the exterior housing of the mobile phone, the second mask portion adapted to be coupled to the mobile phone to retain the second mask portion to the second portion of the exterior housing so that the second mask portion covers the second portion of the exterior housing of the mobile phone.

11. The protective mask of claim **10**, wherein patterns, types, or nameplates can be printed on the first and second mask portions.

12. The protective mask of claim **11**, wherein the first mask portion includes at least one opening to permit access to features of the mobile phone.

* * * * *

EXHIBIT B

TO

**COMPLAINT FOR PATENT
INFRINGEMENT**

**United States Patent No.
10,097,676**



US010097676B2

(12) **United States Patent**
Peng

(10) **Patent No.:** **US 10,097,676 B2**
(45) **Date of Patent:** ***Oct. 9, 2018**

(54) **PROTECTIVE MASK OF MOBILE PHONE**

USPC 455/90.1, 90.3, 348, 349, 433.01, 433.11,
455/451, 550, 550.1, 575.1
See application file for complete search history.

(75) Inventor: **Kuan-Lin Peng**, Taipai (TW)

(73) Assignee: **Gregory Jukyong Kim**, Westmont, IL (US)

(56) **References Cited**

U.S. PATENT DOCUMENTS

(*) Notice: Subject to any disclaimer, the term of this patent is extended or adjusted under 35 U.S.C. 154(b) by 119 days.

This patent is subject to a terminal disclaimer.

D211,355 S	6/1968	Farnham et al.
D219,451 S	12/1970	Blackman
4,121,061 A	10/1978	Donaldson
5,012,513 A	4/1991	Dale et al.
D337,435 S	7/1993	Kaneko et al.

(Continued)

(21) Appl. No.: **13/094,428**

FOREIGN PATENT DOCUMENTS

(22) Filed: **Apr. 26, 2011**

CN	00252902.5	11/2000
DE	20019958 U1	2/2001
DE	20111112 U1	9/2001

(65) **Prior Publication Data**

US 2011/0201394 A1 Aug. 18, 2011

OTHER PUBLICATIONS

Related U.S. Application Data

IL Telefono Cellulare & C. 2 pages. Date: Oct. 2000. (Shows replacement mobile telephone housing portions.).

(63) Continuation of application No. 11/673,237, filed on Feb. 9, 2007, now Pat. No. 7,941,195, which is a continuation of application No. 09/888,488, filed on Jun. 26, 2001, now Pat. No. 7,194,291.

Primary Examiner — Dinh Nguyen

(74) *Attorney, Agent, or Firm* — Invention Mine LLC

(30) **Foreign Application Priority Data**

Nov. 17, 2000 (CN) 252902

(57) **ABSTRACT**

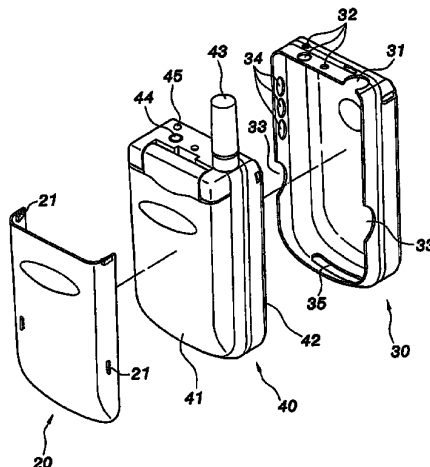
The present invention relates to a protective mask of mobile phone comprising an upper cover body and a lower cover body. The upper and lower cover bodies can be joined with a front and a rear phone housing of a mobile phone, respectively, to effectively prevent abrasion of the mobile phone due to carelessness of a user, thereby preventing ill-favored scars on the mobile phone. Therefore, the deterioration of the quality of the mobile phone and the fall of its value can be avoided. Moreover, trend and fashion of the mobile phone can be achieved without the need of replacing the mobile phone. Therefore, waste of money can be avoided, and economic burden to the user can be lessened.

(51) **Int. Cl.**
H04M 1/02 (2006.01)
H04B 1/3888 (2015.01)

(52) **U.S. Cl.**
CPC **H04M 1/0283** (2013.01); **H04B 1/3888** (2013.01); **H04M 1/0214** (2013.01)

(58) **Field of Classification Search**
CPC . H04W 88/02; H04M 1/0283; H04M 1/0214;
H04M 1/0202; H04M 1/0212; H04M
1/0216; H04B 1/3888

12 Claims, 7 Drawing Sheets



US 10,097,676 B2

Page 2

(56)

References Cited

U.S. PATENT DOCUMENTS

D338,470 S	8/1993	Clayton	6,011,699 A	1/2000	Murray et al.	
D342,262 S	12/1993	Hester	D425,907 S	5/2000	Frye et al.	
D348,472 S	7/1994	Cyfko	6,073,027 A	6/2000	Norman et al.	
5,383,091 A	1/1995	Snell	6,073,034 A	6/2000	Jacobsen et al.	
D365,927 S	1/1996	Cho	6,075,977 A	6/2000	Bayrami	
D369,903 S	5/1996	Tetrault	6,082,535 A	7/2000	Mitchell	
5,586,704 A	12/1996	Alexander et al.	6,128,515 A *	10/2000	Kabler	H04B 1/3805 455/556.2
D382,538 S	8/1997	Brunette	6,130,945 A	10/2000	Shin	
D385,283 S	10/1997	Snyder et al.	6,157,545 A	12/2000	Janninck et al.	
D385,554 S	10/1997	Nuovo et al.	6,184,835 B1	2/2001	Chen et al.	
5,678,204 A	10/1997	Naylor	6,201,867 B1	3/2001	Koike	
D395,749 S	7/1998	Jayez	6,224,225 B1	5/2001	Chen	
D396,951 S	8/1998	Huber	D448,368 S *	9/2001	Bettag	D14/250
D397,246 S	8/1998	Hoofnagle et al.	6,430,400 B1	8/2002	MacDonald, Jr. et al.	
5,809,403 A	9/1998	MacDonald, Jr. et al.	6,563,927 B2	5/2003	Mote et al.	
D400,541 S	11/1998	Harrison	6,591,088 B1	7/2003	Watanabe	
D408,402 S	4/1999	Shimelfarb et al.	6,594,472 B1	7/2003	Curtis et al.	
5,896,277 A	4/1999	Leon et al.	6,842,633 B1	1/2005	Deo et al.	
5,923,752 A *	7/1999	McBride et al. 379/433.11	6,876,837 B2	4/2005	Kuroshima et al.	
5,933,330 A	8/1999	Beutler et al.	6,898,283 B2	5/2005	Wycherley et al.	
5,988,577 A	11/1999	Phillips et al.	7,069,063 B2	6/2006	Halkosaari et al.	
6,006,074 A	12/1999	De Larminat et al.	7,194,291 B2	3/2007	Peng	
			7,941,195 B2	5/2011	Peng	

* cited by examiner

U.S. Patent

Oct. 9, 2018

Sheet 1 of 7

US 10,097,676 B2

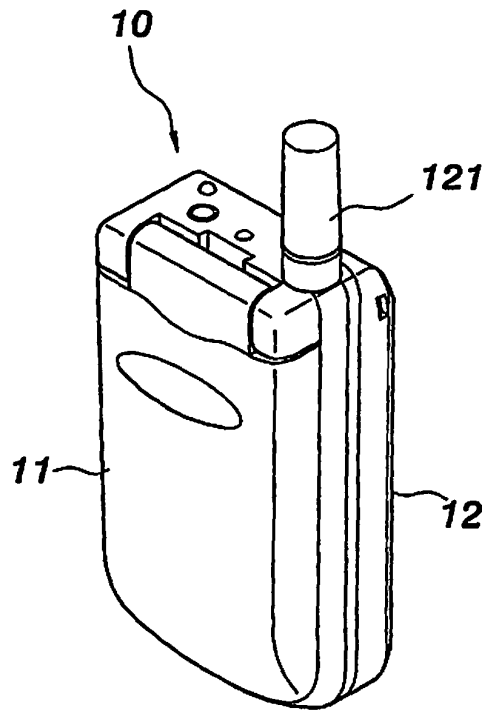


FIG. 1
PRIOR ART

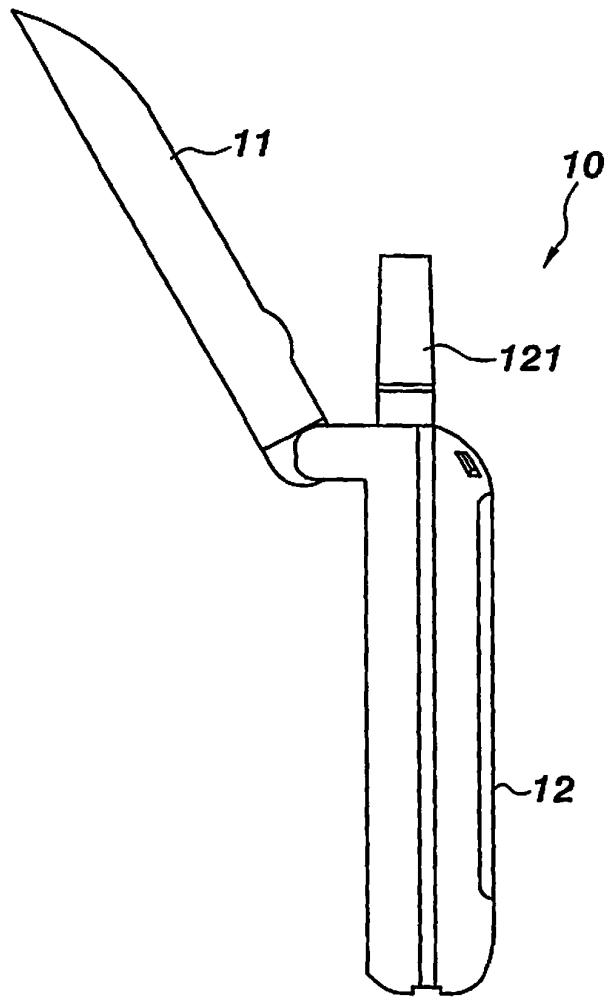


FIG. 2
PRIOR ART

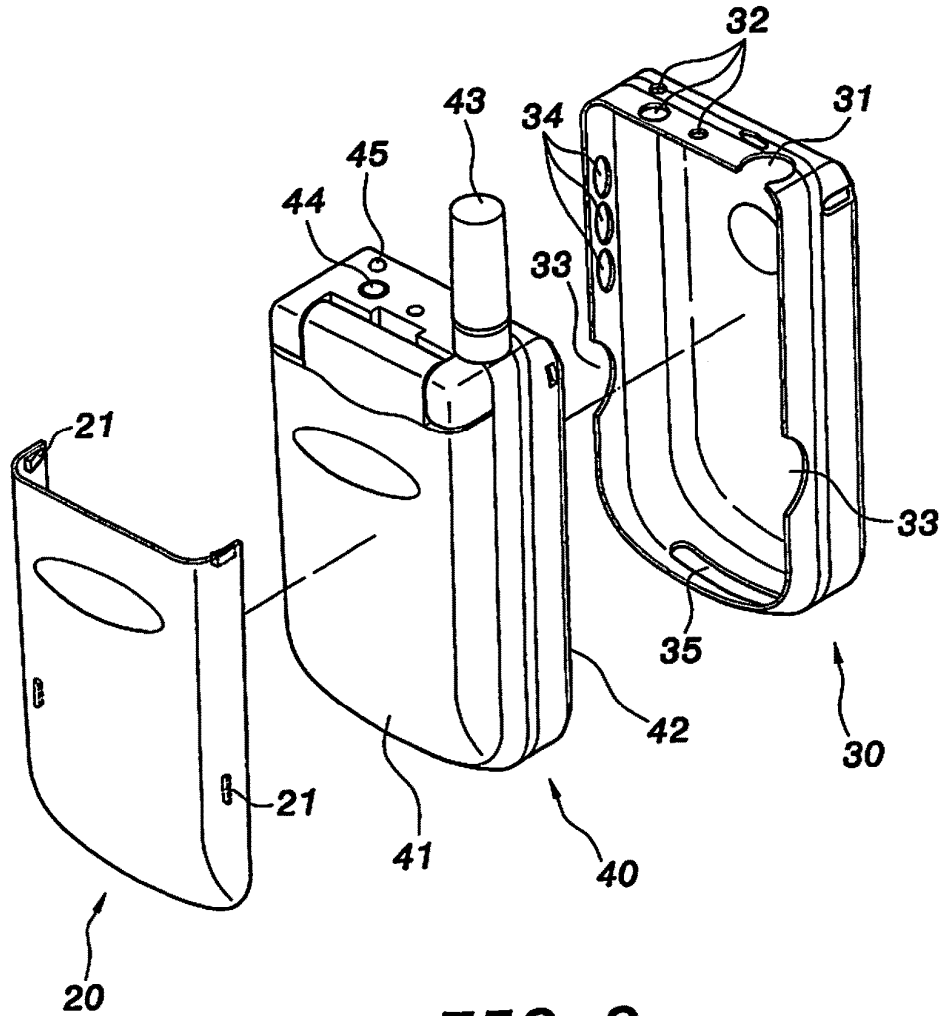


FIG. 3

U.S. Patent

Oct. 9, 2018

Sheet 4 of 7

US 10,097,676 B2

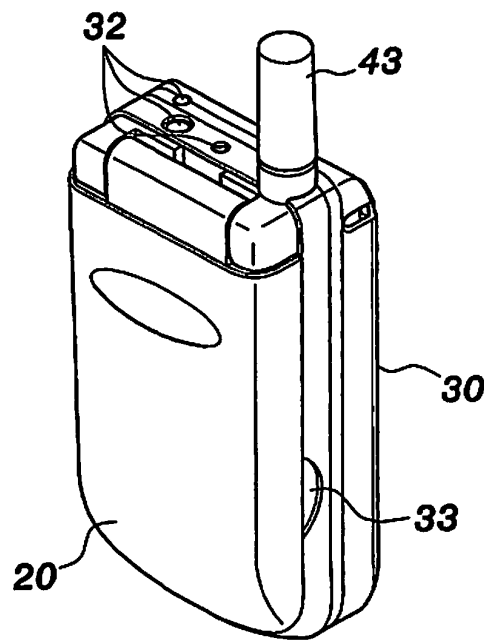


FIG. 4

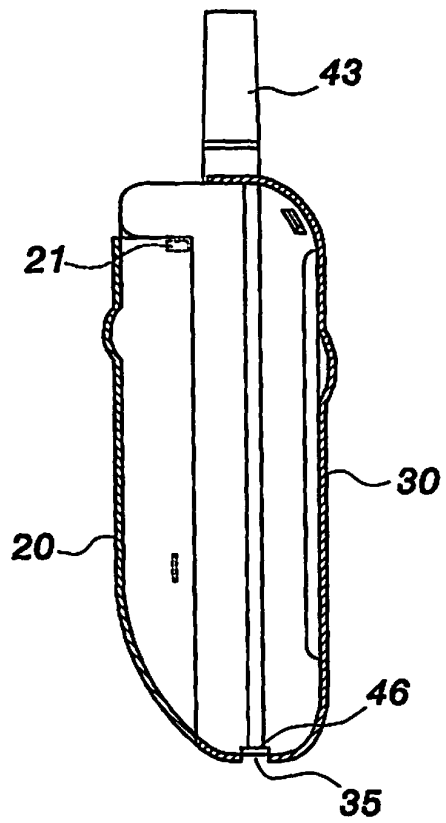


FIG. 5

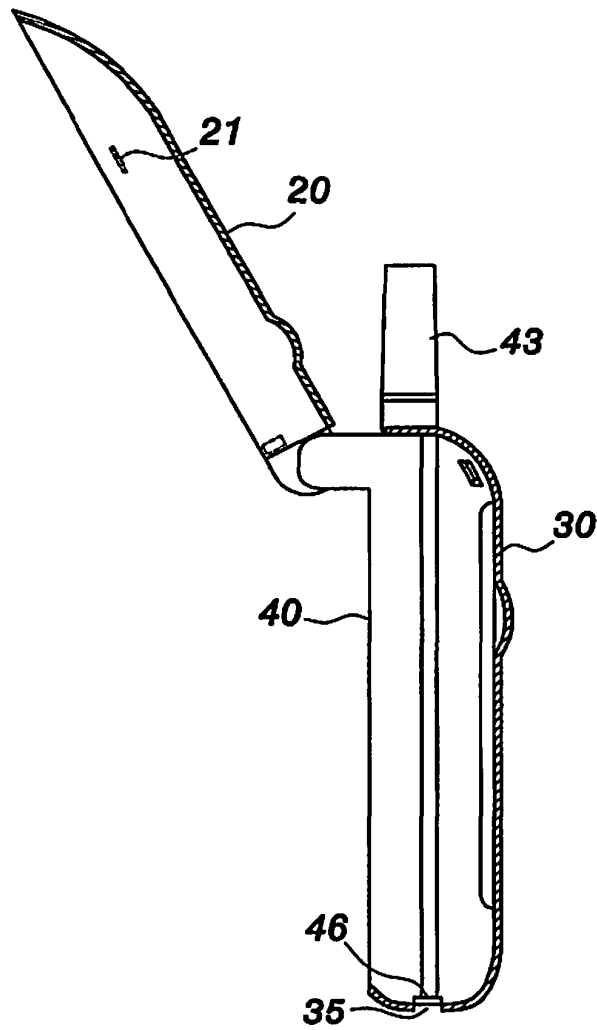


FIG. 6

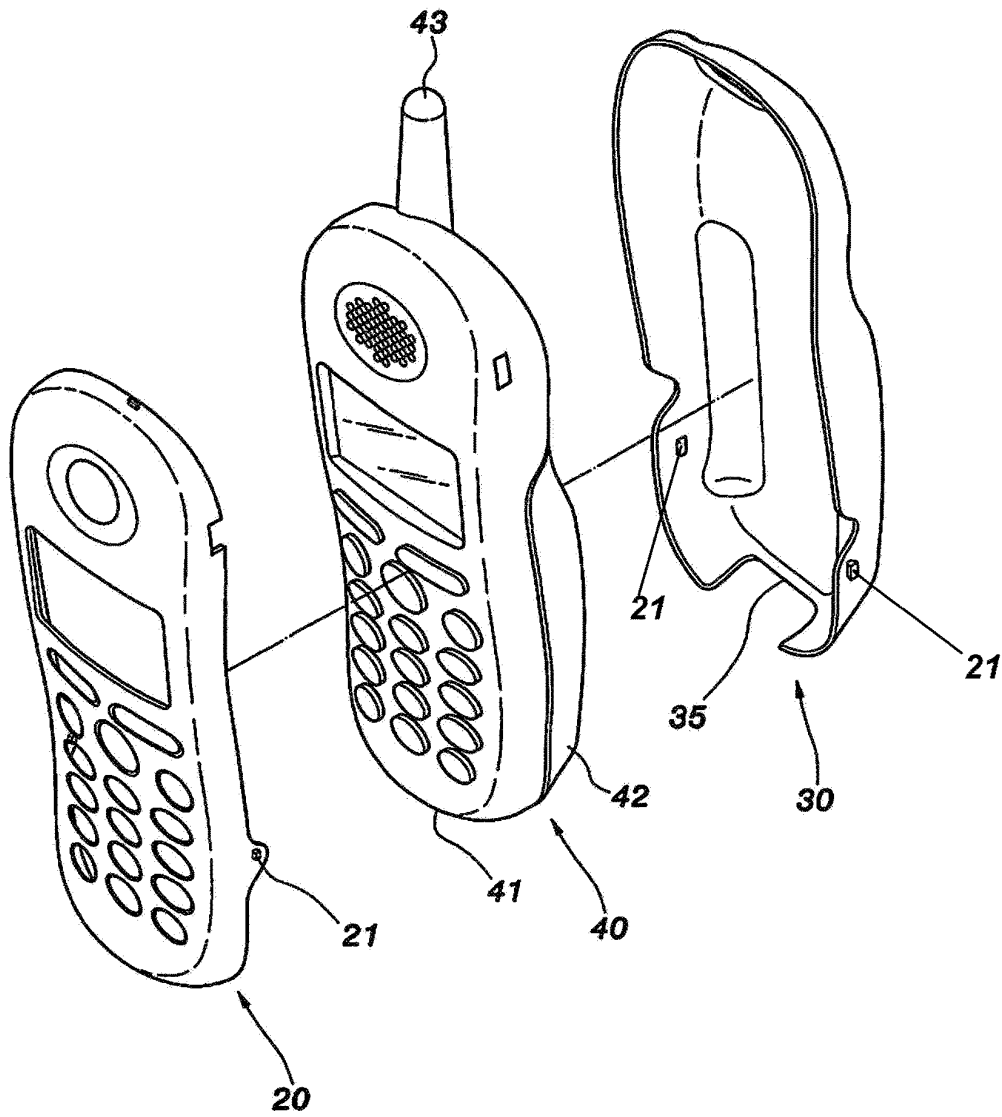


FIG. 7

US 10,097,676 B2

1

PROTECTIVE MASK OF MOBILE PHONE

RELATED APPLICATIONS

This application is a continuation of U.S. patent applica- 5
tion Ser. No. 11/673,237, filed Feb. 9, 2007, now U.S. Pat. No. 7,941,195, which (i) is a continuation application of U.S. patent application Ser. No. 09/888,488, filed Jun. 26, 2001, now U.S. Pat. No. 7,194,291, and (ii) claims priority to Chinese Patent Application No. CN00252902.5, filed 10
Nov. 17, 2000, the contents of which are incorporated herein by reference.

FIELD OF THE INVENTION

The present invention relates to a protective mask of mobile phone and, more particularly, to an assembly structure used in a mobile phone.

BACKGROUND OF THE INVENTION

FIGS. 1 and 2 show the structure of a prior art mobile phone. The outer look of the structure is approximately a rectangular parallelepiped comprising a front phone housing and a rear phone housing. One end of the front phone housing 11 is pivotally joined with one end of the rear phone housing 12, as shown in FIG. 2. An antenna 121 is disposed on the rear phone housing 12. A mobile phone 10 is formed after assembling the front and rear phone housings 11 and 12. The mobile phone 10 can be used for receiving a call, 30
dialing a telephone number, making a call, displaying messages, and setting functions.

However, because the front and rear phone housings 11 and 12 of the mobile phone 10 are very smooth and delicate, abrasion may easily arise due to carelessness of a user so as 35
to generate ill-favored scars thereon, resulting in the deterioration of the quality of the mobile phone and the fall of its value.

Moreover, the design of the mobile phone 10 tends to be more and more diversified in consideration of trend and fashion. The user usually spends a lot of money to change 40
the mobile phone 10 to adhere to the fashion, resulting in waste of money.

Accordingly, the above mobile phone structure has inconvenience and drawbacks in practical installation and use. 45
The present invention aims to resolve the problems in the prior art.

SUMMARY OF THE INVENTION

The primary object of the present invention is to provide a protective mask of mobile phone to effectively prevent abrasion of a mobile phone due to carelessness of a user, thereby preventing ill-favored scars on the mobile phone. Therefore, the deterioration of the quality of the mobile phone and the fall of its value can be avoided. 55

The secondary object of the present invention is to provide a protective mask of mobile phone so that trend and fashion of a mobile phone can be achieved without the need of replacing the mobile phone. Therefore, waste of money can be avoided, and economic burden to the user can be lessened. 60

To achieve the above objects, the present invention provides a protective mask for a mobile phone comprising an upper cover body and a lower cover body. The upper and lower cover bodies are integrally formed by means of mold ejection of plastic. Patterns, types, or nameplates can be

2

printed on the upper and lower cover bodies. The upper and lower cover bodies can sheathe a mobile phone therein. A gap, cavities, and slots corresponding to an antenna, an earphone cavity, an incoming-call informing light and so on of the mobile phone are disposed on the lower cover body so that a user can successfully receive a call and use various kinds of functions and settings of the mobile phone.

The various objects and advantages of the present invention will be more readily understood from the following detailed description when read in conjunction with the appended drawings, in which:

BRIEF DESCRIPTION OF THE DRAWINGS

15 FIG. 1 is a perspective view of a prior art mobile phone; FIG. 2 is a diagram showing the use state of a prior art mobile phone;

FIG. 3 is an exploded perspective view of the present invention and a mobile phone;

20 FIG. 4 is a perspective view of the present invention assembled with a mobile phone;

FIG. 5 is a cross-sectional view of the present invention assembled with a mobile phone;

FIG. 6 is a diagram showing the use state of the present invention assembled 10 with a mobile phone; and

FIG. 7 is an exploded perspective view according to a second embodiment of the present invention.

DETAILED DESCRIPTION OF PREFERRED EMBODIMENTS

As shown in FIGS. 3 to 6, the present invention relates to a protective mask of mobile phone and, more particularly, to an assembly structure used in a mobile phone. The protective mask of mobile phone of the present invention comprises an upper cover body 20 and a lower cover body 30.

The upper cover body 20 is integrally formed by mold injection of plastic. Patterns, types, or nameplates can be printed on a front side face of the upper cover body 20. The upper cover body 20 can be joined with a front phone housing 41 of a mobile phone 40, as shown in FIG. 4. A rear side face of the upper cover body 20 has a plurality of flanges 21, as shown in FIG. 3. The flanges 21 can be retained at the edge of the front phone housing 41 of the mobile phone 40. The front phone housing 41 of the mobile phone 40 can be sheathed in the upper cover body 20, as shown in FIG. 5.

The lower cover body 30 is integrally formed by mold injection of plastic. Patterns, types, or nameplates can be printed on the lower cover body 30. The lower cover body 30 can be joined with a rear phone housing 42 of the mobile phone 40, as shown in FIG. 4. The lower cover body 30 has a gap 31 to retain an antenna 43 of the mobile phone 40, as shown in FIG. 3. A plurality of cavities 32 are disposed beside the gap 31 of the lower cover body 30. The cavities 32 can correspond to an earphone cavity 44, an incoming-call informing light 45 and so on of the mobile phone 40 so that a user can conveniently use the functions of the mobile phone 40. 60

Finger recessions 33 are respectively disposed at two sides of the lower cover body 30 so that a user can easily unfold the pivotally joined front phone housing 41 and rear phone housing 42 to receive a call or operate the mobile phone 40, as shown in FIG. 6. The finger recessions 33 can also let the user conveniently separate the mobile phone 40 and the lower cover body 30 for performing operations such as replacing a battery (not shown) of the mobile phone 40. 65

US 10,097,676 B2

3

A plurality of holes **34** are disposed at one side of the lower cover body **30**. The holes **34** can correspond to function keys (not shown) of the mobile phone **40** so that the user can successfully receive a call or set functions.

A bottom of the lower cover body **30** has a slot **35**, which can correspond to a socket **46** (shown in FIG. 5) of the mobile phone **40** so that a user can plug in a power supply (not shown) of the mobile phone **40** to charge or recharge the mobile phone **40**.

As shown in FIG. 7, a different upper cover body **20** and a different lower cover body **30** are matched according to the outer look of a different mobile phone **40** so as to satisfy users having different mobile phones **40**. The connection and disposition ways are the same as the above first embodiment of the present invention.

The present invention uses the upper cover body **20** and the lower cover body **30** to sheathe the mobile phone **40** therein so as to effectively prevent abrasion of the mobile phone **40** due to the carelessness of a user, thereby preventing ill-favored scars on the mobile phone. Moreover, trend and fashion of the mobile phone **40** can be achieved without the need of replacing the mobile phone **40**.

Although the present invention has been described with reference to the preferred embodiments thereof, it will be understood that the invention is not limited to the details thereof. Various substitutions and modifications have been suggested in the foregoing description, and others will occur to those of ordinary skill in the art. Therefore, all such substitutions and modifications are intended to be embraced within the scope of the invention as defined in the appended claims.

The invention claimed is:

1. A protective mask molded for frictional retention to an exterior housing of a mobile phone having user input and output interfaces, and internal components including circuitry and a battery, wherein the exterior housing completely encloses the circuitry and the battery when the mobile phone is fully assembled and ready for use, the exterior housing having an exterior shape formed by a back surface, and at least portions of opposed side surfaces, the protective mask comprising:

an integrally-formed mask body molded and contoured to conform and frictionally-fit tightly against the exterior shape of the exterior housing;

an inner surface of the integrally-formed mask body defining an interior space of the integrally-formed mask body and conforming to and in substantially continuous surface-to-surface contact with the exterior shape of the exterior housing, with no substantial space between the inner surface of the integrally-formed mask body and the exterior shape of the exterior housing;

at least one opening defined by the integrally-formed mask body permitting user access to at least the user input and output interfaces; and

at least one retainer having an extension protruding laterally inward from the integrally-formed mask body and toward and into the integrally-formed mask body interior space, wherein the at least one retainer is retained to the exterior housing at an exterior housing edge when the mask is coupled to the mobile communication device, the at least one retainer participating in retaining the integrally-formed mask body to the mobile communication device.

2. The protective mask of claim **1**, wherein the integrally-formed mask body further includes indicia selected from the group consisting of text, graphic elements and combinations thereof.

4

3. The protective mask of claim **1**, wherein the integrally-formed mask body includes at least one feature opening to permit access to at least one feature of the mobile phone.

4. The protective mask of claim **1**, wherein the integrally-formed mask body includes a socket opening corresponding to a socket of the mobile phone and permitting a user to plug a power supply into the socket to charge the mobile phone.

5. A protective mask molded for frictional retention to an exterior housing of, and adapted to be coupled to, a mobile communication device having internal components including circuitry and a battery, wherein the exterior housing completely encloses the circuitry and battery when the mobile communication device is fully assembled and ready for use, and wherein the exterior housing has an exterior shape including a back face and at least portions of opposed side surfaces, the protective mask comprising:

an integrally-formed mask body molded and contoured to conform and frictionally fit to the exterior shape of the exterior housing;

an inner surface of the integrally-formed mask body defining an interior space of the integrally-formed mask body and conforming to and in substantially continuous surface-to-surface contact with the exterior shape of the exterior housing in overlying and protecting relationship, without a substantial gap between the inner surface of the integrally-formed mask body and the exterior shape of the exterior housing, the integrally-formed mask body defining an opening enabling the mask to be placed over the exterior shape in overlying and protecting relationship; and

at least one retainer having an extension protruding laterally inward from the integrally-formed mask body and toward and into the integrally-formed mask body interior space, wherein the at least one retainer is retained to the exterior housing at an exterior housing edge when the mask is coupled to the mobile communication device, the at least one retainer participating in retaining the integrally-formed mask body to the mobile communication device.

6. The protective mask of claim **5**, wherein the mobile communication device includes a socket for battery charging and the integrally-formed mask body defines at least a battery-charging socket opening permitting a power supply to be connected to the socket.

7. The protective mask of claim **5**, wherein the mobile communication device includes an earphone-connection socket and the integrally-formed mask body defines at least one earphone-connection socket opening permitting an earphone to be connected to the earphone-connection socket.

8. A mask for attachment to a hand-held mobile phone, the mobile phone having user input and output interfaces, internal components including circuitry and a battery, and an exterior housing completely enclosing the circuitry and battery when the mobile phone is fully assembled and ready for use, the exterior housing including a first face, a second face and opposed side surfaces there between, the mask comprising:

an integrally-formed mask body molded to conform to a shape of the exterior housing; and

inner and outer surfaces, the surfaces defining at least one opening in the integrally-formed mask body providing access to at least one of the user input and output interfaces, the integrally-formed mask body being configured such that, when the mask is attached to the mobile phone, the integrally-formed mask body is coextensive with, contours to and overlies the opposed

US 10,097,676 B2

5

side surfaces, with substantially no space between the mask body and the opposed side surfaces; and at least one retainer having an extension protruding laterally inward from the integrally-formed mask body and toward and into the integrally-formed mask body interior space, wherein the at least one retainer is retained to the exterior housing at an exterior housing edge when the mask is coupled to the mobile communication device, the at least one retainer participating in retaining the integrally-formed mask body to the mobile communication device.

9. A protective mask molded for frictional retention to an exterior housing of a fully assembled mobile communication device having user input and output interfaces, the mobile communication device further having internal components including circuitry and a battery completely enclosed by the exterior housing, and the exterior housing having an exterior shape formed by a back surface and at least portions of opposed side surfaces, the protective mask comprising:

an inner surface closely conforming to the exterior shape of the exterior housing and in substantially continuous surface-to-surface contact with the exterior shape of the exterior housing, with substantially no space between the inner surface of the protective mask and the exterior shape when the protective mask is retained to the exterior housing, the protective mask being molded, integrally formed, contoured and sized to fit tightly

6

against the exterior shape of the exterior housing, thereby providing retention of the protective mask to the exterior housing;

at least one opening defined by the protective mask permitting user access to at least the user input and output interfaces; and

at least one retainer having an extension protruding laterally inward from the integrally-formed mask body and toward and into the integrally-formed mask body interior space, wherein the at least one retainer is retained to the exterior housing at an exterior housing edge when the mask is coupled to the mobile communication device, the at least one retainer participating in retaining the integrally-formed mask body to the mobile communication device.

10. The protective mask of claim 9, wherein the protective mask further includes indicia selected from the group consisting of text, graphic elements and combinations thereof.

11. The protective mask of claim 9, wherein the protective mask includes at least one feature opening to permit access to at least one feature of the mobile communication device.

12. The protective mask of claim 9, wherein the protective mask includes a socket opening corresponding to a socket of the mobile communication device, permitting a user to plug a power supply into the socket to charge the mobile communication device.

* * * * *

EXHIBIT C

TO

**COMPLAINT FOR PATENT
INFRINGEMENT**

Accused Products

MOBILE DEVICE CASE SYLES

Main Sources:

<https://www.ulakcases.com/>

https://www.amazon.com/stores/ULAK/page/25C1A400-E436-4C62-972A-0D0FE90CF559?ref_=ast_bln

<https://www.walmart.com/c/brand/ulak>

Case Style Name	Exemplary Photograph	Source for Photograph
PHONE CASES		
Soft TPU and Hard PC Back Case		<p>https://www.amazon.com/dp/B0B97DHS7Q</p> <p>https://www.amazon.com/dp/B09GLJN53J</p>

Case Style Name	Exemplary Photograph	Source for Photograph
	 The 'Exemplary Photograph' column contains three distinct images of iPhone cases. The top image shows a clear, protective case for an iPhone, with the phone's screen displaying the time 9:41 and the date Monday. The middle image shows a purple, semi-transparent case with a black Apple logo on the back. The bottom image shows a yellow case with a pink inner lining, also featuring a black Apple logo on the back.	<p data-bbox="902 264 1408 342">https://www.amazon.com/dp/B07X48BD6J</p> <p data-bbox="902 646 1408 724">https://www.amazon.com/dp/B0B1LQWY93</p> <p data-bbox="902 1161 1408 1239">https://www.amazon.com/dp/B0B7119R49</p>

Case Style Name	Exemplary Photograph	Source for Photograph
<p>Wallet Case</p>		<p>https://www.amazon.com/dp/B0B568SZW8</p> <p>https://www.amazon.com/dp/B00R3ZSIZO</p>
<p>Soft TPU Case</p>		<p>https://www.amazon.com/dp/B07584QZKT</p> <p>https://www.amazon.com/dp/B08FHZWK66</p>

Case Style Name	Exemplary Photograph	Source for Photograph
Slim Dual Layer Soft Silicone and Hard Back Case		https://www.amazon.com/dp/B01M0EXJFZ
Silicon Case		https://www.amazon.com/dp/B08JLGFQY https://www.amazon.com/dp/B073P28MJ7

Case Style Name	Exemplary Photograph	Source for Photograph
Reflective Case		https://www.amazon.com/dp/B0BP1NFSJN
TABLET CASES		
Slim Lightweight Trifold Smart Case		https://www.amazon.com/dp/B07ZH5S7VT
Multi-Angle Viewing Case		https://www.amazon.com/dp/B08JLGFQY

**MOBILE DEVICE MODELS FOR WHICH THERE ARE ACCUSED
PRODUCTS**

Main Sources:

<https://www.ulakcases.com/>

https://www.amazon.com/stores/ULAK/page/25C1A400-E436-4C62-972A-0D0FE90CF559?ref_=ast_bln

<https://www.walmart.com/c/brand/ulak>

PHONE MODELS

Apple:

iPhone 5	iPhone SE 2020	iPhone 12 Pro
iPhone 5s	iPhone SE 2022	iPhone 12 Pro Max
iPhone 6	iPhone X	iPhone 13
iPhone 6 Plus	iPhone XR	iPhone 13 Mini
iPhone 6s	iPhone XS	iPhone 13 Pro
iPhone 6s Plus	iPhone XS Max	iPhone 13 Pro Max
iPhone 7	iPhone 11	iPhone 14
iPhone 7 Plus	iPhone 11 Pro	iPhone 14 Plus
iPhone 8	iPhone 11 Pro Max	iPhone 14 Pro
iPhone 8 Plus	iPhone 12	iPhone 14 Pro Max
iPhone SE 2016	iPhone 12 Mini	

Google:

Google Pixel 4 XL

LG:

LG Velvet

Samsung:

Galaxy A32	Galaxy Note 20 Ultra	Galaxy S10
Galaxy A51	Galaxy S5	Galaxy S10+
Galaxy A71	Galaxy S6	Galaxy S20 FE
Galaxy Note 3	Galaxy S6 Edge	Galaxy S20+
Galaxy Note 4	Galaxy S6 Edge+	Galaxy S21
Galaxy Note 5	Galaxy S7	Galaxy S21 FE
Galaxy Note 8	Galaxy S7 Edge	Galaxy S21+
Galaxy Note 9	Galaxy S8	Galaxy S22
Galaxy Note 10+	Galaxy S8+	Galaxy S22 Ultra
Galaxy Note 10+ 5G	Galaxy S9	
Galaxy Note 20	Galaxy S9+	

TABLET MODELS

Apple:

iPad 5 9.7" (2017)

iPad 6 9.7" (2018)

iPad 7 10.2" (2019)

iPad 8 10.2" (2020)

iPad 9 10.2" (2021)

iPad Air 4 10.9" (2020)

iPad Air 5 10.9" (2022)

iPad Mini 1

iPad Mini 2

iPad Mini 3

iPad Mini 4

iPad Mini 5

iPad Mini 6

iPad Pro 11" (2018)

iPad Pro 11" (2020)

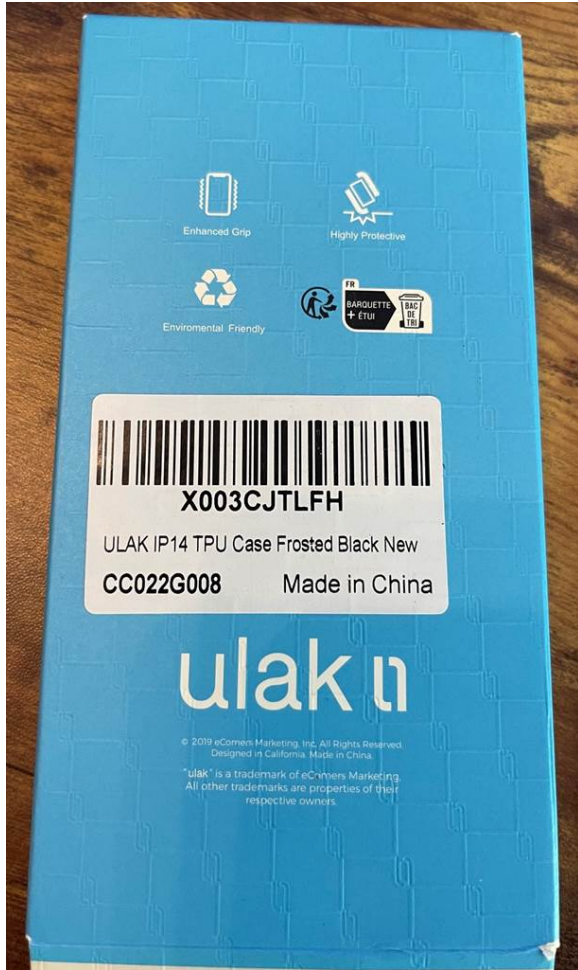
ULAK Compatible with iPhone 14 Case Matte with Black Border, Hybrid Shockproof Protective Phone Case, Not Yellowing Slim Thin Anti-Scratch TPU Bumper Cover for iPhone 14 2022 6.1", Frosted Black

<https://www.amazon.com/dp/B0B97DHS7Q>









ULAK Compatible with iPhone 11 Wallet Case for Women Girls, PU Leather Flip Cover with Card Holder Kickstand Magnetic Closure, TPU Interior Protective Purse Case for iPhone 11 6.1 Inch, Silver

<https://www.amazon.com/dp/B0B568SZW8>



Multiple viewing angles

Acts as a secure stand for reading and for watching videos



Card slots & side pocket

Securely store your ID card, credit cards, receipts or some cash

Magnetic lock closure



All-round Shockproof

Shock Absorbing protects from drop & shock



Cushioning Anti-fall



Soft TPU



RFID BLOCKING

Protect your private information from unauthorized scans



RFID Blocking Material



Stop Rfid Theft



Precise Cutouts

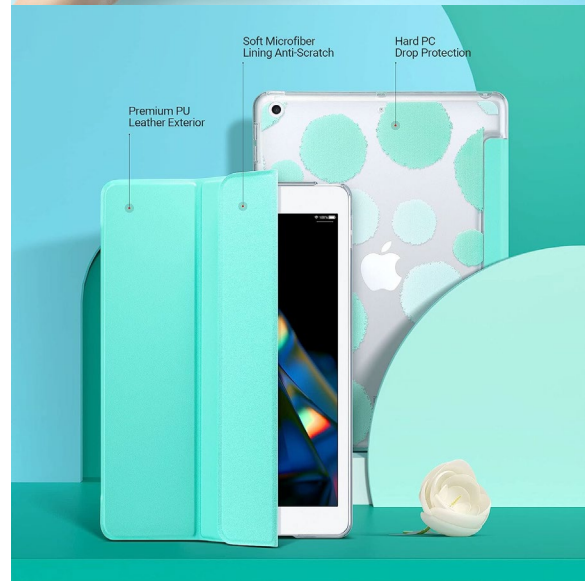
Allows easy access to all buttons and ports





ULAK iPad 9th Generation Case 2021, iPad 8th 7th Generation Case 2020 2019, iPad 10.2 Case, Slim Lightweight Trifold Smart Shell with Auto Sleep/Wake Premium Shockproof Cover for iPad 10.2 inch, Mint

<https://www.amazon.com/dp/B07ZH5S7VT>





SPECIALLY DESIGNED
For iPad 10.2 inch 2020/2019

iPad	Models Number
iPad 8th generation 2020 10.2 inch	A2270 / A2428 / A2429 / A2430
iPad 7th generation 2019 10.2 inch	A2197 / A2198 / A2200

find your ipad model here





