

FILED	RECEIVED
ENTERED	SERVED ON
COUNSEL/PARTIES OF RECORD	
NOV 01 2022	
CLERK US DISTRICT COURT DISTRICT OF NEVADA	
BY: _____	DEPUTY

1 **DICKINSON WRIGHT PLLC**
 2 STEVEN A. CALOJARO
 Nevada Bar No. 12344
 100 W. Liberty Street, Suite 940
 3 Reno, Nevada 89501
 Tel.: (775) 343-7500
 4 Fax: (844) 670-6009
scaloiaro@dickinsonwright.com

5 KEVIN D. EVERAGE
 Nevada Bar No. 15913
 3883 Howard Hughes Pkwy, Suite 800
 7 Las Vegas, Nevada 89169
 Tel.: (702) 550-4426
 8 Fax: (844) 670-6009
keverage@dickinsonwright.com

9 *Attorneys for Plaintiff*
 10 *SATA GmbH & Co. KG*

11 **IN THE UNITED STATES DISTRICT COURT**
 12 **FOR THE DISTRICT OF NEVADA**

13 SATA GmbH & Co. KG, a German)
 Corporation,)
 14)
 15 *Plaintiff,*)

16 v.)

17 Qingdao Hanspray New Material)
 Technology Co., Ltd., a Chinese company;)
 18 Qingdao Hanbo Plastic Technology Co.)
 Ltd., a Chinese company; and Hanspray)
 19 Industries Holding Co., Ltd. , a Chinese)
 20 company,)
)
 21 *Defendants.*)

CASE NO. 2:22-cv-01832-GMN-EJY *SEALED*
**COMPLAINT FOR PATENT
 INFRINGEMENT**
JURY TRIAL DEMANDED

23 Plaintiff, SATA GmbH & Co. KG, (“Plaintiff” or “SATA”), by and through its attorneys
 24 DICKINSON WRIGHT PLLC, states as follows for its Complaint against Qingdao Hanspray New
 25 Material Technology Co., Ltd. (“Hanspray Material”), Qingdao Hanbo Plastic Technology Co.
 26 Ltd. (“Hanbo Plastic”), and Hanspray Industries Holding Co., Ltd. (“Hanspray Holding”)
 27 (collectively, “Hanspray” or “Defendants”):

1 **NATURE OF THE ACTION**

2 1. This is an action for patent infringement under 35 U.S.C. §§ 271, 283, 284, and
3 285. Hanspray has made, used, offered for sale, sold, and/or imported disposable cups for paint
4 spray guns as part of its PISA paint spray gun cup product line (the “Accused Products”) that use
5 a vent device infringing Plaintiff’s rights in U.S. Patent No. 7,416,140 (the “140 Patent”) entitled
6 “DISPOSABLE CUP TO BE SET UP ON A SPRAY GUN FOR PREPARING, APPLYING AND
7 PRESERVING A PAINT”.

8 **THE PARTIES**

9 2. SATA is a German corporation established in 1907 and organized under the laws
10 of Germany.

11 3. Upon information and belief, Hanspray Material is a Chinese company with its
12 principal place of business located at No. 777 Douloushan Road, Huangdao District Qingdao,
13 China and/or No. 1550 Dongyue Middle Road, Huangda O, Qingdao, China.

14 4. Upon information and belief, Hanbo Plastic is a Chinese company with its principal
15 place of business located at 27 F, Linrui Business Plaza, No. 676 Shuangzhu Road, Huangdao
16 District, Qingdao, China.

17 5. Upon information and belief, Hanspray Holding is a Chinese company with its
18 principal place of business located at No. 1550 Dongyue Middle Road, Huangda O, Qingdao,
19 China and/or No. 777 Douloushan Road, Huangdao District Qingdao, China.

20 6. On information and belief, Hanspray markets, imports, and sells its products,
21 including the Accused Products, in the United States through its website at www.hanspray.com,
22 www.sigspray.com, and Alibaba (<https://hanspraychina.en.alibaba.com/>).

23 **JURISDICTION AND VENUE**

24 7. This Court has subject matter jurisdiction over this matter pursuant to 28 U.S.C. §§
25 1331 and 1338(a).

26 8. This Court has personal jurisdiction over Defendants because Defendants has
27 transacted business in Nevada by among other things, their acts of importing, marketing,

1 distributing, providing, offering for sale, and/or selling the Accused Products in the United States
2 that infringe the '140 Patent. Defendants has in the past and continues to cause harm to SATA in
3 Nevada and other parts of the United States as a result of acts they have and continue to commit
4 both inside and outside of the state of Nevada. *See* Fed. R. Civ. P. 4(h).

5 9. Defendants offer for sale, sell, distribute, make, and/or import products into the
6 United States and this judicial district. This includes importation, distribution, sale, and offer of
7 sale of the Accused Products in the United States and this judicial district.

8 10. For example, Defendants knowingly imported, marketed, offered for sale, and sold
9 the Accused Products at the SEMA Show trade show at the Las Vegas Convention Center in Las
10 Vegas, Nevada on November 2, 2021 and is set to do so again at the 2022 SEMA show taking
11 place on November 1, 2022.

12 11. As another example, Defendants offer to sell, sell, import, distribute, and/or ship
13 the Accused Products to distributor(s) and/or customers located in the United States and this
14 judicial district as components to be used with and installed on automotive paint spray guns.
15 Defendants facilitate the sale of the Accused Products on its website at
16 http://www.hanspray.com/p_detals57.html.

17 12. As a result, Defendants have directly, jointly, contributorily, and/or by inducement,
18 through a coordinated distribution network, regularly placed the Accused Product in the stream of
19 commerce with the knowledge and/or understanding that such products will be sold and used in
20 this judicial district. Defendants are subject to the general jurisdiction of this Court because they
21 have regular and systemic contacts with this forum such that the exercise of jurisdiction over them
22 will not offend the traditional notions of fair play and substantial justice.

23 13. Further, this Court has personal jurisdiction over Defendants because Defendants
24 have established minimum contacts with the forum by doing repeated business at the SEMA Show
25 trade show in Las Vegas, Nevada, such that the exercise of personal jurisdiction over Defendants
26 will not offend the traditional notions of fair play and substantial justice.

1 14. In addition, this Court has personal jurisdiction over Defendants because
2 Defendants have knowingly and actively engaged in acts that have infringed and will infringe
3 and/or contribute, induce, aid, and/or abet the direct infringement of the '140 Patent in this judicial
4 district. It is therefore reasonable and fair for this Court to exercise personal jurisdiction over the
5 Defendants in this case.

6 15. Venue over Defendants is proper in this judicial district under 28 U.S.C. §§ 1391(c),
7 1391(d), and 1400(b) because Defendants have committed acts of infringement in this judicial
8 district and does business in this judicial district.

9 16. For instance, venue is proper because of the "long-established rule that suits against
10 aliens are wholly outside the operation of all the federal venue laws, general and special." *In re*
11 *HTC Corp.*, 889 F.3d 1349, 1354 (Fed. Cir. 2018). The "venue laws (as opposed to requirements
12 of personal jurisdiction) do not restrict the location of suits against alien defendants." *Id.* at 1357.

13 **FACTUAL BACKGROUND**

14 **SATA'S HISTORY**

15 17. SATA is a leading manufacturer of paint spray guns, paint spray gun cups, and
16 related equipment principally used to paint automobiles.

17 18. SATA's products are designed and manufactured in Germany and are sold to
18 distributors worldwide.

19 19. Over the past century, SATA has been a leader in the production of paint spray
20 guns, paint spray gun cups, and related equipment. SATA's paint spray gun cups are highly valued,
21 well known for their quality, performance, and durability, and are used by professional car repair
22 businesses, automobile manufacturers, yacht and boat builders, carpenters, painters,
23 airbrush/design creators, and hobbyists worldwide.

24 20. SATA offers a wide variety of paint spray gun cups, including but not limited to a
25 multi-purpose cup, a gravity flow cup, a suspended cup, and an agitator cup.

26 21. SATA's strong reputation and goodwill in the industry are further bolstered by its
27 strong commitment to aiding users of SATA products through a training center for in person

1 trainings, free online and telephone services, such as tips for painting, a forum for discussion,
2 useful measurement calculators, video tutorials, and even an encyclopedia of terms.

3 22. Due to the quality of its products and its international reputation for technological
4 innovation, SATA has achieved extensive sales throughout the United States and the world. In the
5 United States, SATA annually sells in excess of 5,000,000 paint spray gun reservoirs annually.
6 Over the last five years, on average, SATA enjoyed annual sales in the United States in excess of
7 \$15 million dollars. Internationally, SATA has annual sales in excess of \$90 million dollars.

8 23. SATA is an innovative company and has obtained a number of patents and
9 trademarks for its products.

10 **The '140 Patent**

11 24. On April 15, 2004, SATA entered into an exclusive license agreement granting
12 SATA all substantial rights to the invention, including the right to sue for any infringement,
13 disclosed in U.S. Patent Application Serial No. 10/540,777 (the "Application"), which would later
14 mature into the '140 Patent.

15 25. On August 26, 2008, the United States Patent and Trademark Office (the "Patent
16 Office") issued the '140 Patent to inventors Michel Camilleri and Joseph Guarino of France.

17 26. Since August 26, 2008, SATA has been the exclusive licensee holding all
18 substantial rights to the '140 Patent.

19 27. The Application claims priority to French Patent Application No. 0310177, which
20 was filed on August 26, 2003. A true and correct copy of the '140 Patent is attached as **Exhibit**
21 **A.**

22 28. The '140 Patent is generally directed to a disposable cup for preparing, applying
23 and preserving a paint to be set up on a paint spray gun characterized in that it includes on one of
24 its end faces a closable vent device forming a vent valve with a valve duct and valve plug which
25 allows when opened, to let the air pass for occupying the inner volume that empties and when
26 closed, to close liquid-tightly the opening of the air passage to form a container for the preparation
27

1 of the paint and then to form a pot for the preservation of the leftover paint. *See* '140 Patent
2 attached as Exhibit A, Abstract.

3 **Hanspray Accused Products**

4 29. Defendants have and continue to make, sell, offer for sale, import, and/or distribute
5 the Accused Products in the United States. For example, Defendants advertise the Accused
6 Products on their website at www.hanspray.com under the brand name "PISA". Printouts from
7 the Defendants' website dated October 31, 2022 are attached hereto as **Exhibit B**.

8 30. Plaintiff sells the patented paint spray gun cups under its "RPS" trademark
9 ("Plaintiff's Patented Products"), which practice the claimed invention of the '140 Patent. A
10 brochure advertising Plaintiff's Patented Products is attached as **Exhibit C**.

11 31. Both the Accused Products and Plaintiff's Patented Products are used in automotive
12 paint spray gun industry.

13 32. The Accused Products and Plaintiff's Patented Products are paint spray gun cups
14 for use with paint spray guns.

15 33. Both the Accused Products and Plaintiff's Patented Products include a disposable
16 cup for a spray gun for preparing, applying, and/or preserving paint.

17 34. In both the Accused Products and Plaintiff's Patented Products, the disposable cup
18 has a cylindrical shaped cup body.

19 35. In both the Accused Products and Plaintiff's Patented Products, the cup body has a
20 bottom wall with a face having a vent opening.

21 36. In both the Accused Products and Plaintiff's Patented Products, the cups provide a
22 cover for closing the open end of the disposable cup.

23 37. Both the Accused Products and Plaintiff's Patented Products also include a cover
24 having an outlet duct for dispensing paint, a bottom wall having a vent device including a manually
25 adjusted, movable element for cooperating and shutting the vent opening in a closed position, and
26 when a movable element of the cups are in an opened position, air is allowed to enter and occupy
27 an inner volume of space of created by consumed paint during painting.

1 38. In both the Accused Products and Plaintiff's Patented Products, the movable
2 element closes in a liquid-tight way, allowing the container to invert which assists with paint
3 preparation.

4 39. In both the Accused Products and Plaintiff's Patented Products, the vent opening is
5 formed in a recessed portion of the bottom wall of the disposable cup.

6 40. On information and belief, in both the Accused Products and Plaintiff's Patented
7 Products, the movable element of the cup prevents air from flowing through the valve duct when
8 the movable element is in the closed position.

9 41. In both the Accused Products and Plaintiff's Patented Products, the closable vent
10 device of the cup is located in or on a recessed portion of the bottom wall.

11 42. On information and belief, in both the Accused Products and Plaintiff's Patented
12 Products, the closable vent device creates a liquid tight seal which facilitates and assists in filling
13 of the disposable cup with paint to be dispensed when in the closed position.

14 43. In both the Accused Products and Plaintiff's Patented Products, the movable
15 element of the cup has a closing pin which extends into the vent opening in the closed position to
16 prevent paint from passing through the vent opening.

17 44. In both the Accused Products and Plaintiff's Patented Products, the vent device
18 comprises a cap plug which covers and is slidably mounted at least partially within the tubular
19 valve body.

20 45. In both the Accused Products and Plaintiff's Patented Products, the cup has a
21 cylindrical protrusion in the bottom face of the disposable cup receiving the plug. The cylindrical
22 protrusion has at least one air passage in a base thereof.

23 46. In both the Accused Products and Plaintiff's Patented Products, the cup is
24 manufactured from a translucent material.

25 47. The Accused Products and Plaintiff's Patented Products compete in the same
26 marketplace for automotive paint spray gun cups.

1 48. Defendants are put on notice of its infringement of the '140 Patent by way of the
2 filing and service of this Complaint.

3 **COUNT I**

4 **Direct Infringement Under 35 U.S.C. § 271(A)**

5 49. The Plaintiff incorporates by reference each and every one of the preceding
6 allegations as if set forth fully herein.

7 50. Defendants' Accused Products include all of the elements of one or more claims of
8 the '140 Patent, including by way of example only (and not limiting with respect to the number or
9 identity of claims of the '140 Patent that will be asserted in the case) independent claim 1, as set
10 forth below:

- 11 a. The Accused Products are advertised, offered for sale, imported, and sold
12 as disposable paint spray cups for preparing, applying, and preserving paint;
- 13 b. The disposable cups of the Accused Products comprises a cylindrical
14 shaped cup body including a bottom wall with a face having a vent opening
15 formed therein and a cover;
- 16 c. The cover of the Accused Products is for closing an open end of the
17 disposable cup and has an outlet duct for dispensing paint;
- 18 d. The outlet duct of the Accused Products is directly engageable with either
19 the spray gun or an adaptation part of the spray gun;
- 20 e. The disposable cup of the Accused Products has on the bottom wall, a vent
21 device including a manually adjusted movable element with a protruding
22 end for cooperating and shutting the vent opening in a closed position of the
23 movable element;
- 24 f. When the movable element of the Accused Products is in the opened
25 position, the movable element frees the protruding end from the vent
26 opening and allows air to enter and occupy an inner volume space created
27 by consumed paint during painting;

- 1 g. When the movable element of the Accused Products closes in a liquid-tight
- 2 way, the vent opening, an invertable container is formed which assists with
- 3 paint preparation;
- 4 h. The vent opening of the Accused Products is formed in a recessed portion
- 5 of the bottom wall of the disposable cup and the movable element of the
- 6 vent device is slidably located within a tubular valve body which forms a
- 7 valve duct; and
- 8 i. The movable element of the Accused Products prevents air from flowing
- 9 through the valve duct when the movable element is in the closed position.

10 51. To the extent that one or more of the elements of any asserted claim of the '140
11 Patent is not literally present in the Accused Products, then such element is present in the Accused
12 Products under the doctrine of equivalents because the corresponding feature in the Accused
13 Products performs substantially the same function, in substantially the same way, to obtain
14 substantially the same result as the claimed element and because there would be insubstantial
15 differences between the claimed element and the corresponding feature in the Accused Products.

16 52. Therefore, the Defendants have and continues to directly infringe one or more
17 claims of the '140 Patent under 35 U.S.C. § 271(a).

18 53. Defendants knew or should have known that making, selling, offering to sell,
19 importing, and/or distributing the Accused Products in the United States constituted (and continues
20 to constitute) infringement of the '140 Patent.

21 54. Defendants' continued infringement of the '140 Patent after having learned of the
22 '140 Patent and Plaintiff's infringement allegations demonstrates Defendants' reckless disregard
23 for Plaintiff's patent rights.

24 55. Therefore, the Defendants' direct infringement of the '140 Patent has been willful.

1 **COUNT II**

2 **Induced Infringement Under 35 U.S.C. §§ 271(b) and 271(f)(1)**

3 56. The Plaintiff incorporates by reference each and every one of the preceding
4 allegations as if set forth fully herein.

5 57. Defendants' sale and shipment of components of its PISA paint spray gun cups to
6 U.S. distributors and to customers who subsequently use and/or re-sell such cups, induces third
7 parties, such as its U.S. distributors and customers, to sell, offer for sale, and use its PISA paint
8 spray gun cups in a manner that directly infringes one or more claims of the '140 Patent.

9 **Direct Infringement by Third-Party**

10 58. The Defendants have sold and/or shipped its PISA paint spray gun cups to U.S.
11 customers and distributors, who then use, sell and/or offer for sale PISA paint spray gun cups in
12 the United States.

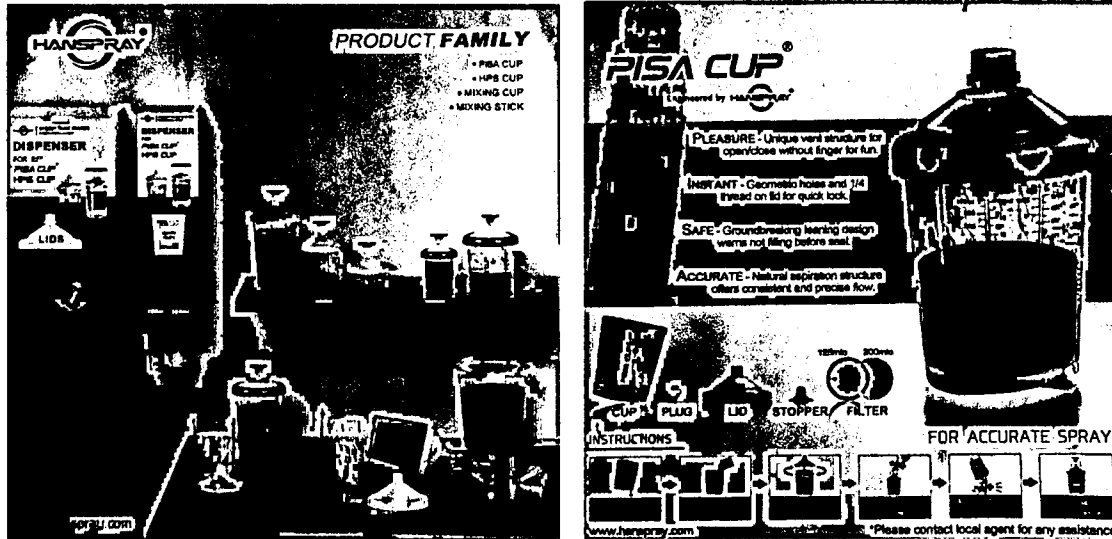
13 59. On information and belief, the Defendants' U.S. customers, use Defendants' PISA
14 paint spray gun cups with automotive paint spray guns.

15 60. Therefore, the Defendants' U.S. customers and its U.S. distributor(s), directly
16 infringe at least (and without limitation) independent claim 1 (among other dependent claims) of
17 the '140 Patent.

18 **Defendants' Actions To Induce Direct Infringement By Third Parties**

19 61. Defendants market, promote, and designed its PISA paint spray gun cups
20 specifically for use on automotive paint spray guns.

21 62. For example, as shown in the screen shots below, which were taken from leaflets
22 provided with an order of Defendants' Infringing Products, (**Exhibits D and E**), Defendants
23 provide images of paint spray gun cups alongside automotive paint spray guns.



Defendants’ Knowledge That Customer Use of its PISA Paint Spray Gun Cups Constitutes Direct Infringement of The ‘140 Patent

63. In view of the facts alleged above, the Defendants have known of the ‘140 Patent since prior to the filing of this litigation.

64. In view of the facts alleged above, the Defendants have been willfully blind to the existence of the Plaintiff’s rights in the ‘140 Patent.

65. The Defendants have known, or been willfully blind to the fact, that its actions have resulted and continue to result in direct infringement of the ‘140 Patent by third-parties, including for example its U.S. customers and its U.S. distributor(s).

66. Since knowing of the existence of the ‘140 Patent, and further since receiving direct notice of its infringement from the Plaintiff, the Defendants have not taken any actions to re-design its PISA paint spray gun cups to avoid infringement of the ‘140 Patent.

67. Since knowing of the ‘140 Patent, and further since receiving direct notice of its infringement from the Plaintiff, the Defendants have not taken any actions to refrain from inducing direct infringement of the ‘140 Patent by its U.S. customers and its U.S. distributor(s).

68. The Defendants continue to promote, market, and sell its PISA paint spray gun cups and continues to induce third-parties to use its PISA paint spray gun cups with automotive paint spray guns, as evidenced by Defendants’ website (Exhibits B, D, and E).

1 G. For a grant of a permanent injunction pursuant to 35 U.S.C. § 283, enjoining the
2 Defendants from further acts of infringement;

3 H. For an order directing the Defendants, its agents, servants, employees, partners,
4 attorneys, successors, and assigns, and all those acting in concert with Defendants, to deliver to
5 this Court or to the Plaintiff all infringing products for destruction, or show proof of said
6 destruction; and

7 I. For such other and further relief as the Court deems just and proper.

8 **DEMAND FOR A JURY TRIAL**

9 The Plaintiff hereby demands a trial by jury in this action.

10 Dated: October 31, 2022

Respectfully submitted,

11 By: /s/ Steven A. Caloiaro

12 **DICKINSON WRIGHT PLLC**
13 STEVEN A. CALOJARO
14 Nevada Bar No. 12344
15 100 W. Liberty Street, Suite 940
16 Reno, Nevada 89501
17 Tel.: (775) 343-7500
18 Fax: (844) 670-6009
19 scaloiaro@dickinsonwright.com

20 KEVIN D. EVERAGE
21 Nevada Bar No. 15913
22 3883 Howard Hughes Pkwy, Suite 800
23 Las Vegas, Nevada 89169
24 Tel.: (702) 550-4426
25 Fax: (844) 670-6009
26 keverage@dickinsonwright.com

27 *Attorneys for Plaintiff*

EXHIBIT A

(A true and correct copy of Patent No. US
7416140)



US007416140B2

(12) **United States Patent**
Camilleri et al.

(10) **Patent No.:** **US 7,416,140 B2**
(45) **Date of Patent:** **Aug. 26, 2008**

(54) **DISPOSABLE CUP TO BE SET UP ON A SPRAY GUN FOR PREPARING, APPLYING AND PRESERVING A PAINT**

(58) **Field of Classification Search** 239/526, 239/71, 293, 415, 528, 290, 527, 74, DIG. 14, 239/340, 345, 318, 302, 321, 320, 316, 379; 73/714, 753, 756; 222/105, 183
See application file for complete search history.

(76) **Inventors:** **Michel Camilleri**, 6 route de Bischwiller, 67460 Souffelweyersheim (FR); **Joseph Guarino**, Route de Malemort, 84380 Mazan (FR)

(56) **References Cited**

U.S. PATENT DOCUMENTS

3,240,398 A * 3/1966 Dalton, Jr. 222/630
4,832,232 A * 5/1989 Broccoli 222/188
5,042,840 A * 8/1991 Rieple et al. 280/830
5,582,350 A * 12/1996 Kosmyna et al. 239/345
5,655,714 A * 8/1997 Kieffer et al. 239/318

(*) **Notice:** Subject to any disclaimer, the term of this patent is extended or adjusted under 35 U.S.C. 154(b) by 479 days.

(21) **Appl. No.:** **10/540,777**

(Continued)

(22) **PCT Filed:** **Aug. 26, 2004**

FOREIGN PATENT DOCUMENTS

(86) **PCT No.:** **PCT/IB2004/003552**

EP 0 987 060 3/2000

§ 371 (c)(1),
(2), (4) **Date:** **Jun. 27, 2005**

(Continued)

(87) **PCT Pub. No.:** **WO2005/018815**

Primary Examiner—Len Tran
Assistant Examiner—James S Hogan
(74) *Attorney, Agent, or Firm*—Davis Bujold & Daniels, P.L.L.C.

PCT Pub. Date: **Mar. 3, 2005**

(65) **Prior Publication Data**

(57) **ABSTRACT**

US 2006/0113409 A1 Jun. 1, 2006

Disposable cup for preparing, applying and preserving a paint to be set up on a paint spray gun characterized in that it includes on one of its end faces a closable vent device (7) forming a vent valve with valve duct (22) and valve plug (25) which allows when opened, to let the air pass for occupying the inner volume that empties and when closed, to close liquid-tightly the opening (6) of air passage to form a container for the preparation of the paint and then to form a pot for the preservation of the leftover paint. This invention is of interest to manufacturers of paint spray guns.

(30) **Foreign Application Priority Data**

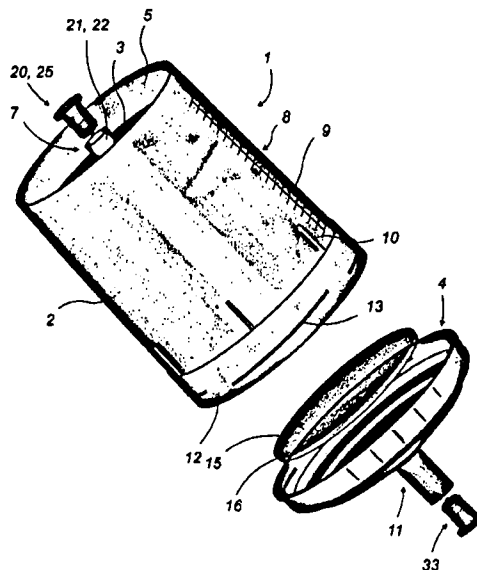
Aug. 26, 2003 (FR) 03 10177

(51) **Int. Cl.**

B05B 9/04 (2006.01)
B05B 9/047 (2006.01)
B05B 11/02 (2006.01)
B05B 9/00 (2006.01)

(52) **U.S. Cl.** 239/321; 239/320; 239/379; 239/302; 239/316; 222/105; 222/183

21 Claims, 6 Drawing Sheets



US 7,416,140 B2

Page 2

U.S. PATENT DOCUMENTS

5,816,501 A * 10/1998 LoPresti et al. 239/302
6,435,426 B1 * 8/2002 Copp, Jr. 239/346
6,675,845 B2 * 1/2004 Volpenheim et al. 141/380
6,874,656 B2 * 4/2005 Rohr et al. 222/1
6,945,429 B2 * 9/2005 Gosis et al. 222/105
6,962,432 B2 * 11/2005 Hofeldt 366/118

2002/0134861 A1 9/2002 Petrie et al.
2003/0121476 A1 7/2003 McIntyre et al.

FOREIGN PATENT DOCUMENTS

EP 987060 A1 * 3/2000
WO WO 03/045575 6/2003

* cited by examiner

FIG. 1

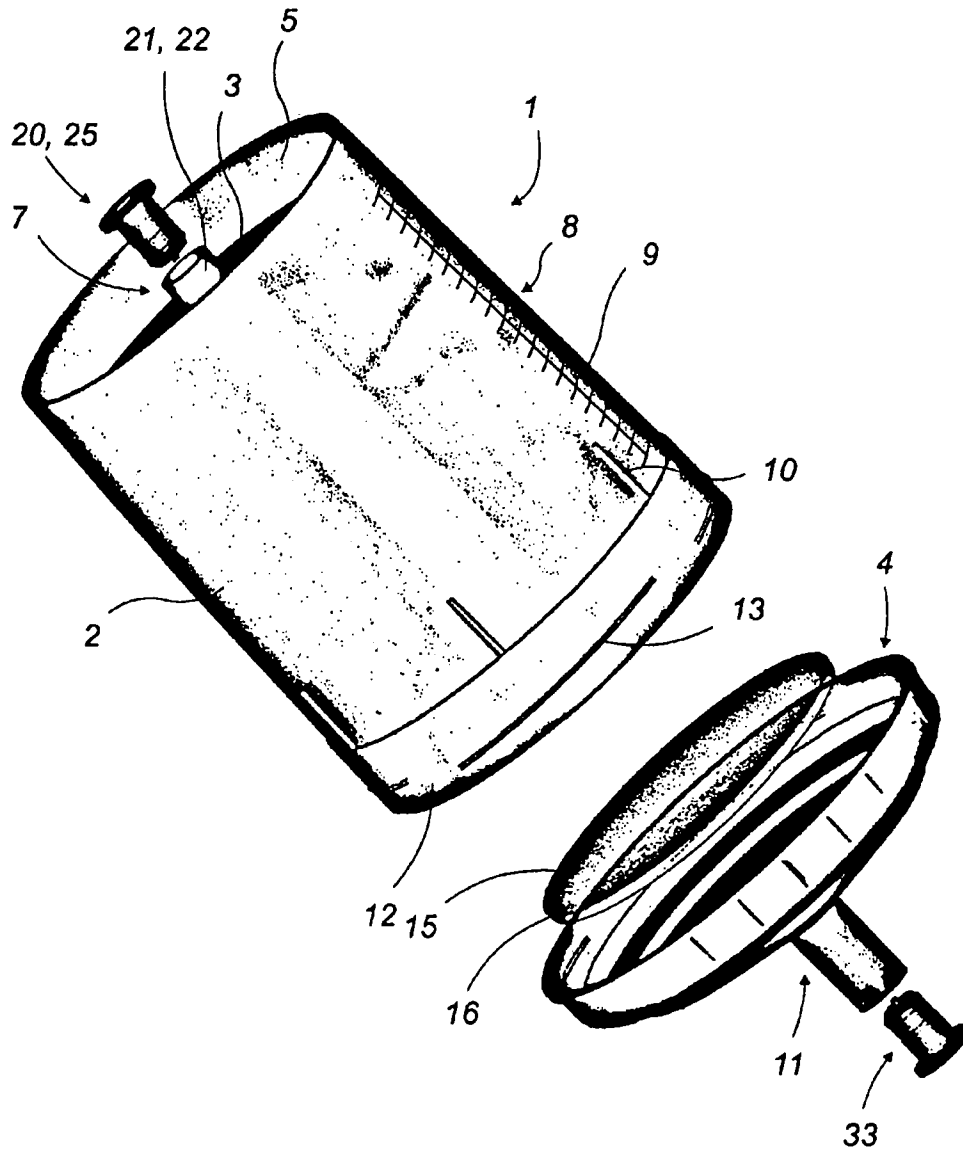


FIG. 2

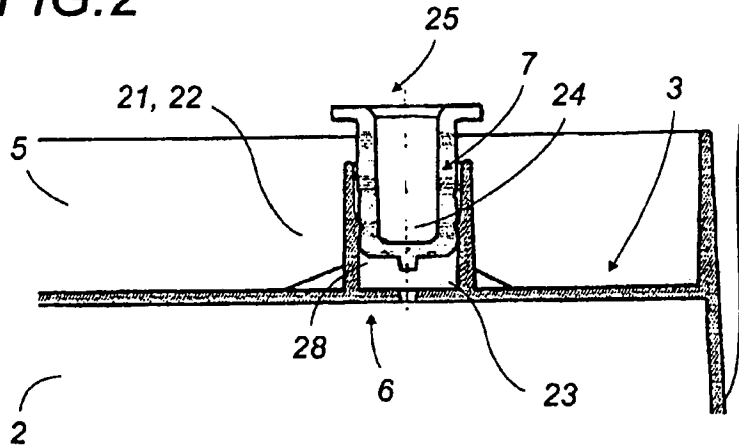


FIG. 3

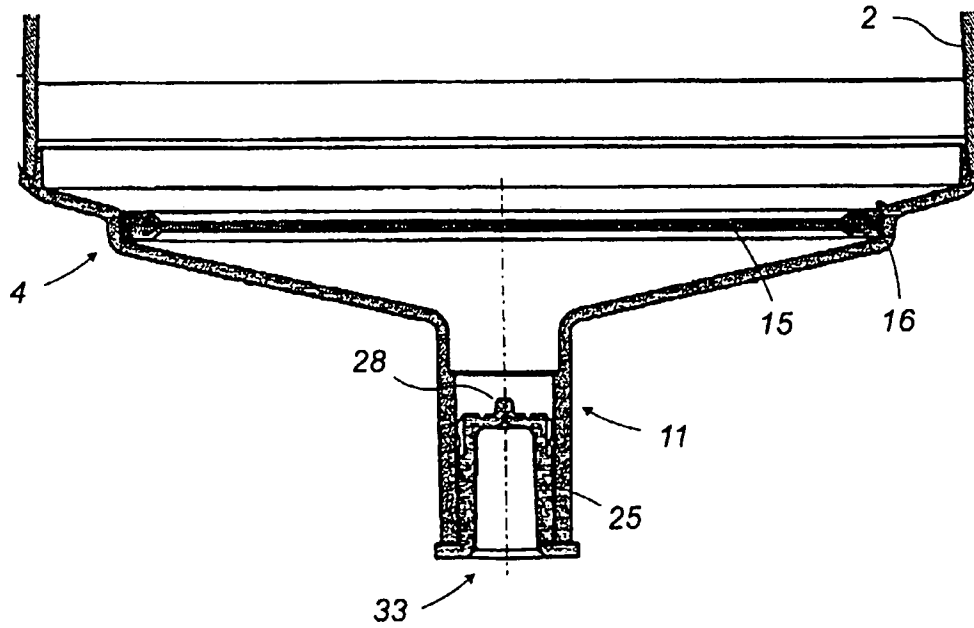


FIG. 4

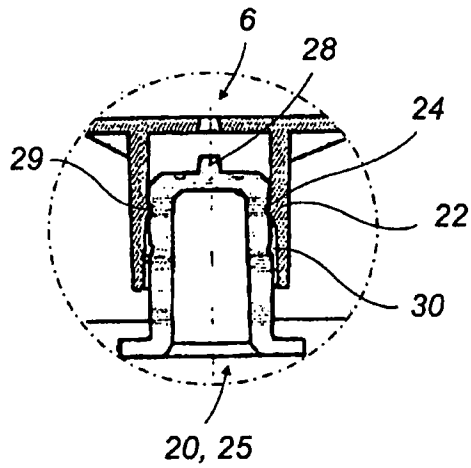


FIG. 5

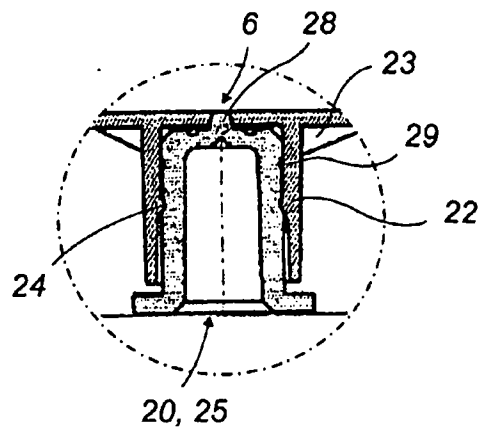


FIG. 6

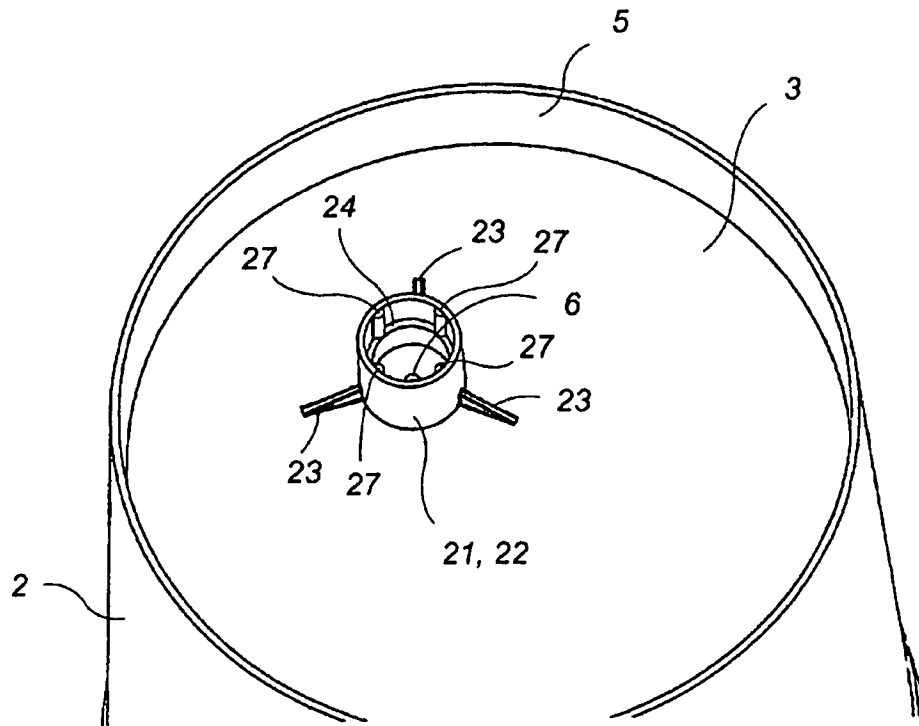


FIG. 7

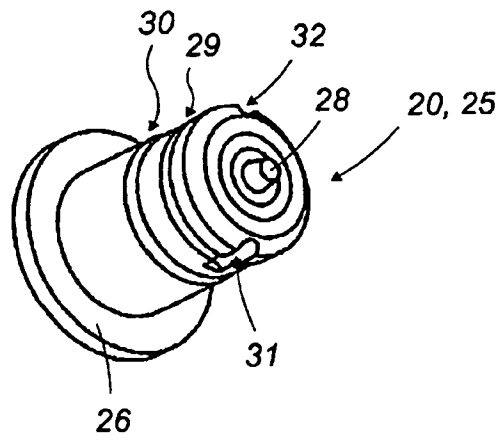


FIG. 8

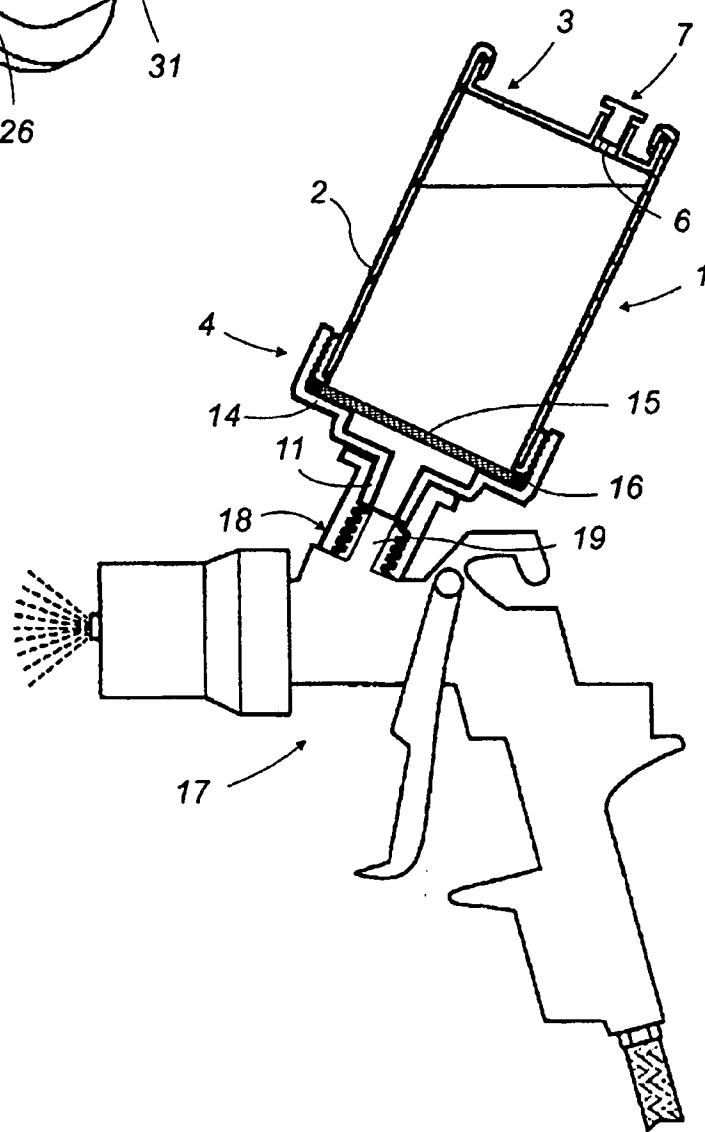


FIG. 9

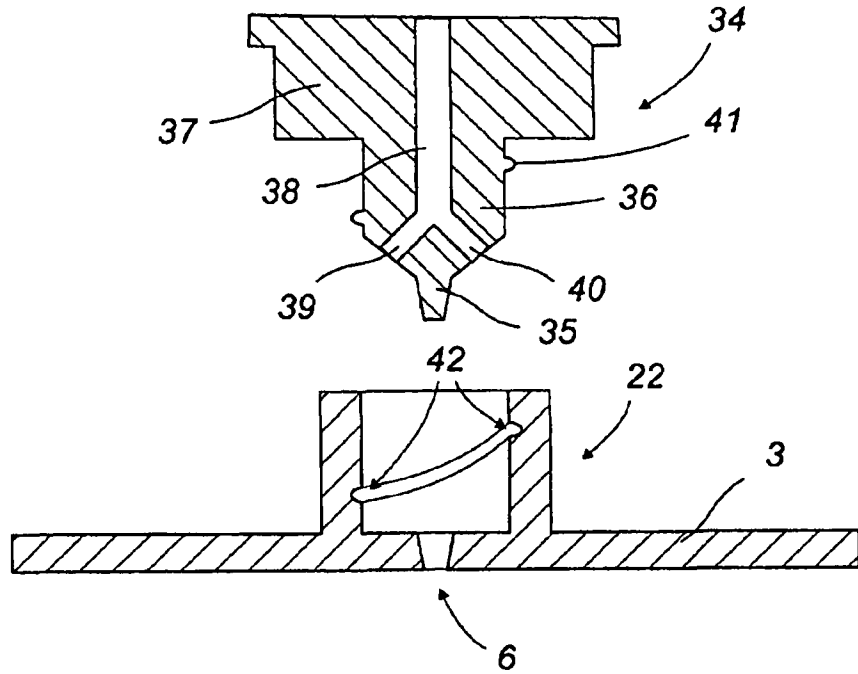


FIG. 10

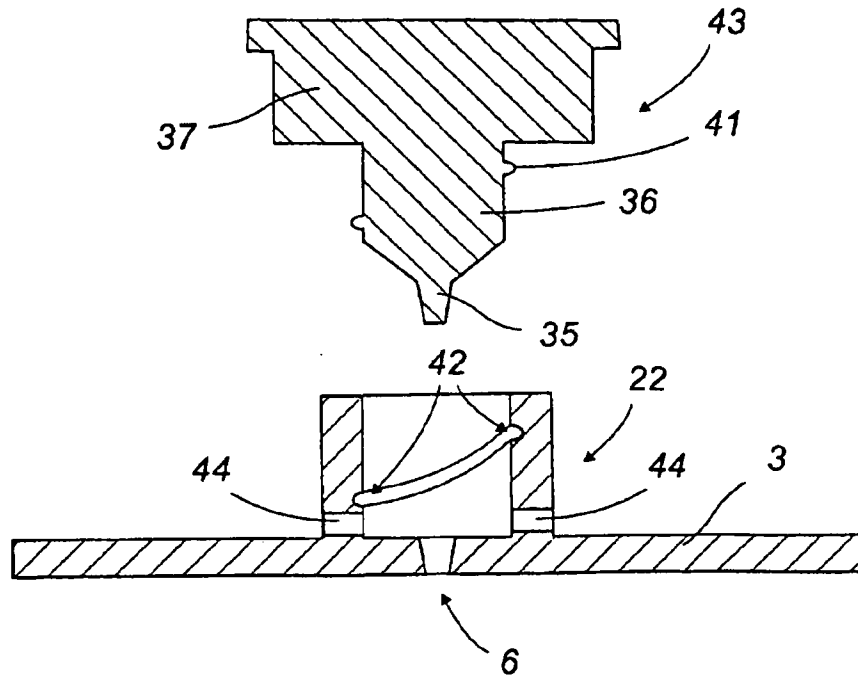


FIG. 11

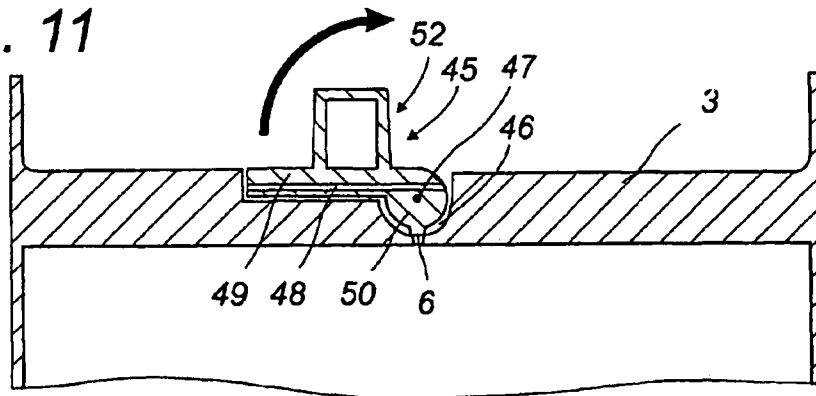


FIG. 12

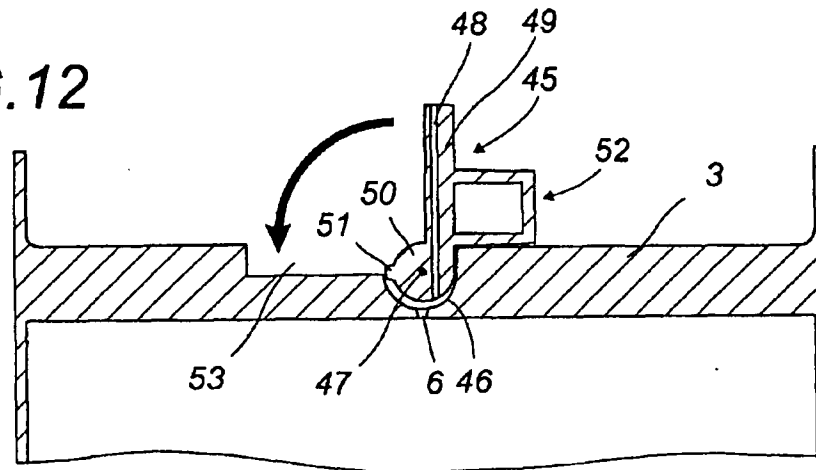
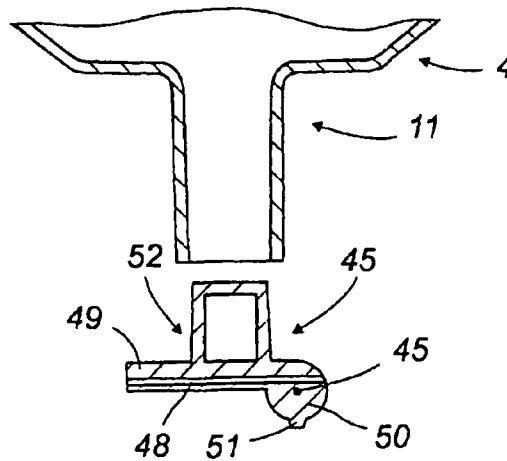


FIG. 13



US 7,416,140 B2

1

DISPOSABLE CUP TO BE SET UP ON A SPRAY GUN FOR PREPARING, APPLYING AND PRESERVING A PAINT

This application is a national stage completion of PCT/IB2004/1003552 filed Aug. 26, 2004 which claims priority from French Application Ser. No. 03/10177 filed Aug. 26, 2003.

FIELD OF THE INVENTION

This invention refers to a disposable cup to be set up on a paint spray gun for preparing and applying paint, and preserving the unused or leftover paint.

BACKGROUND OF THE INVENTION

It is known that spray gun painters have to face difficult operations in preparing the paints, and transferring them from one container into another, which introduces the risk of spillage and paint loss. It is also known that due to increasing costs of labour, all employers try to find solutions allowing for an increase in rapidity for the interventions.

In this spirit, different solutions have been developed for disposable cups or flexible disposable bags containing the paint during the preparation and spraying work.

These solutions reduce the time involved in cleaning equipment and reduce the use of cleaning products based on solvents, which are often non environmentally friendly.

It remained to solve the problem of paint leftovers. These paint leftovers are not to be kept for a long period of time, but used for future work, for example on the same object.

It remained also to find a solution for the paint losses spilling out of the vent due to sudden movements or twists or acute tilting generated by the painter.

SUMMARY OF THE INVENTION

The general object of this invention is to remedy these drawbacks and provide additional advantages based on its own characteristics.

For this purpose, this invention refers to a disposable cup for the preparation of a paint and its application with a spray gun. This cup being set on a gun in particular a gravity gun, and having a body, e.g. in the general shape of a truncated cone pot with a bottom including an air outlet and a cover whose outlet conduct is fixed on an adaptor which will be fixed or mounted on the gun, characterized in that the cup includes on one of its walls a closable vent device with a moving part which allows, when opened, to air to enter into the cup to fill the emptying volume and when closed, seals the air outlet in at least a liquid-tight way, in order to make up a container for preparing the paint and to close the outlet duct of the paint by a second moving part, preferably identical to the first one, to provide a container which preserves the paint from air-contact, in order to store the leftover paint.

BRIEF DESCRIPTION OF THE DRAWINGS

Other characteristics and advantages of the invention will appear in the following description, given as an example and accompanied by the drawings where:

FIG. 1 is a general perspective view of the disposable cup according to the invention,

FIG. 2 is a cross sectional view of the lower part through the closable vent device,

2

FIG. 3 is a cross sectional view of the cover equipped with a plug,

FIGS. 4 and 5 are cross sectional views showing the valve plug in its two characteristic positions respectively open and close,

FIG. 6 is a perspective view of the lower part of the cup showing the valve duct protruding from the bottom,

FIG. 7 is a perspective view of the whole body of the valve plug,

FIG. 8 is a partially sectional view and profile view of the disposable cup according to the invention set up on a gravity gun,

FIGS. 9 and 10 are cross sectional views of two embodiments of the closable vent device in two positions of the moving part,

FIGS. 11 and 12 are cross sectional views of a closable vent device of the shutting down type,

FIG. 13 is a cross sectional view of the outlet end of the cup showing the use of a removable vent part identical to that one shown in FIGS. 11 and 12 as blanking plug of the outlet end of the cup.

DETAILED DESCRIPTION OF THE INVENTION

The disposable cup for preparing and applying the spray paint is in the form of a container whose body 1 has for example a general cylindrical or truncated cone shape including a side surface 2, a bottom 3 and a cover 4.

The bottom 3 is placed at a certain distance away from the lower edge due to the presence of a lower peripheral annular edge 5 as an extension of the bottom 3. The side surface 2 protrudes in order to provide stability when the cup is standing on a horizontal flat support. The bottom 3 is crossed by an opening 6 forming vent, thus allowing the air intended to replace the used paint in volume to enter and the paint to flow. This air passage vent opening 6 for airflow can either be central or otherwise, as shown in the figures. This vent opening is equipped according to the invention with a closable vent device 7.

The side surface 2 is smooth and has a graduated scale 8 extending along the height of the cup in successive graduations form such as 9, engraved, printed or conformed in the mass. The side surface 2 can be provided with several end reinforcement ribs such as 10 as shown in FIG. 1.

The upper face of body 1 is closed by the funnel-shaped cover 4 having in its central part an outlet duct 11 slightly tapered and cone-shaped. The cover 4 is screwed from its base onto the upper part 12 of the side surface of the body of the cup 1 on which are formed several successive ribs such as 13 forming a thread, for example discontinuous, receiving the corresponding thread conformation of the cover 4 by screwing on the cup body. The cover includes an inward shoulder 14, as shown in FIG. 8, which supports the periphery of a disk-shaped filter 15. The filtering part is surrounded by a perimeter annular joint 16 (FIG. 3).

The cup is set on a paint spray gun, preferably but not exclusively, on a gravity gun 17 by means of an adaptor part 18. This adaptor part 18 can be for example, a hollow piece to be screwed or otherwise assembled or fixed by one of its ends on a protrusion 19 for example a threaded protrusion of the gun and receiving the central conical outlet duct 11 of the cover 4 by tight conical taper fitting. Of course, a lot of other connection means may be appropriated as well as different other existing or futurc adaptor parts.

US 7,416,140 B2

3

This connection by tight conical taper fitting proves to be sufficiently difficult to dissociate and tight enough to be appropriate for the use and the motions of the painter while working.

The closable vent device 7 will be examined now.

The closable vent device 7 fulfils the general valve function by letting the air enter during the paint work, that is to say while the cup empties, and closing the vent opening 6 of the air inlet when the cup is used as a container for preparing the paint.

The closable vent device 7 of the valve type, utilises a movable element 20 and a valve body 21 along which the movable element 20 moves between a closed position and an open position of the vent opening 6.

Preferentially, but not in a limitative way, the movable element 20 is immobilized in the valve body 21 in each of its characteristic positions, namely the closing position and the opening position, and is free between these two positions for its manual operation.

For this purpose, the vent opening 6 for the passage of air through the bottom 3 is surrounded by a hollow cylindrical base 22 reinforced by radial ribs 23 serving as valve body whose height remains lower than that one of the plane defined by the upper ridge of the annular edge 5 in such a way that the cup placed on a horizontal flat surface has a stable position in the corresponding upright second position for preparation of the paint.

This hollow cylindrical base 22 is a duct along which the moving part 20 moves.

In this base 22 forming a duct, an annular rib 24 is moulded protruding from the inner side surface. The annular rib 24, called a snap-in location rib, provides each time a snap-in location for the movable element 20 to be manually moved inside the valve duct 22. Because of its shape, this part has been called valve plug 25. This valve plug 25 ensures the opening and the closing of the valve in two precise positions. The first one is the closed position in which the end of the plug fills the passage vent opening 6 across the bottom 3 to close it tightly without protruding from the inner face of the bottom 3 and is held in this position by a snap-fit effect. The second position called the open vent position, in which the end of the valve plug 25 is moved away from the passage vent opening 6 of the passage across the bottom 3 of the cup and maintained in this position by a second snap-in protrusion. These positions are those of the valve plug represented in FIGS. 4 and 5.

Of course, the above positions can be effected in other ways: screw stops, notching, quarter turn etc.

For this purpose, the conformation of an example of embodiment of a valve plug 25 is shown in perspective view in FIG. 7.

According to this embodiment, the valve plug 25 is a body, for example hollow, of general cylindrical shape having at one end an upper end disk-shaped with peripheral upper edge 26 having a larger diameter than the body itself in order to form an upper location shoulder and at the other end a lower end frontal face terminated by an end form effecting the closing of the vent opening 6 existing across the bottom 3 without its end protruding out of the inner face of the bottom of the cup and fitting tightly into contact with the section of this vent opening 6 for sealing.

In order to allow the air admission in open position, there is a play or gap between the upper parts of duct 22 and plug 25. This play can be obtained by an increasing of the inner diameter of the upper part of duct 22 or a correlative reduction of the diameter of the upper part of the plug 25 or both simultaneously. In order to hold the plug 25 in central position, three or four centring longitudinal protrusions for example semi-

4

cylindrical shaped ones such 27, of suitable thickness, are provided on the higher part of the inner side surface of duct 22.

Vice versa, these centring protrusions can also be on the side surface of the plug 25.

The plug ends in its lower part with a closing form for example a tapered protrusion 28 of the pin type which has a form and a size suitable for complete liquid-tightness closing the vent opening 6 in pushed position when the vent moving part or plug is in the low closed position.

Of course, this shape can vary on the basis of the form of the opening, provided that the plug in its closed position closes this opening.

Between the two ends of the plug 25, extends a body having a generally cylindrical shape with a side surface having two annular grooves 29 and 30 intended for operating in a snap-in effect with the annular protrusion rib 24 of valve duct 22 in order to locate the latter in one or the other groove of the valve plug 25, as corresponding to one of the abutment positions in open or in closed position.

The forms may, obviously, be changed and especially inverted without modifying the general function, i.e. using protrusions for the side surface of the plug 25 and grooves for the side surface of valve conduct 22.

The plug is made of plastic. The plug is full or hollow, which allows an amount of flexibility.

Furthermore, the closing pin 28 can perforate or tear or press down or break a membrane, a skin or a local weak or weakened point or zone of the bottom face 3, which would close the opening 6 at the manufacturing stage and for the first use. For this purpose, the pin 28 or the end conformation will have a suitable shape for this function, for example a more conical or pointed end or similar or whatever other.

On the side face of the valve plug 25 besides its lower end are formed two longitudinal vent notches 31 and 32 diametrically opposed, extending from the lower end face along the length. The length of these notches is such that they go through the first groove 29 corresponding to the closing stop and extend beyond the latter without reaching the second groove 30. The depth of the vent notches 31 and 32 makes their base be under the base of the first groove 29 in order to form an air passage under the annular protrusion 24 when the valve plug 25 is in its first push position, that is to say in closed position or first protrusion, the annular rib 24 being engaged in the first groove 29.

It is clear that the closing and opening stop positions correspond respectively to the two main uses of the cup according to the invention, i.e. on one hand as a container for preparing the paint and on the other hand a cup for spray gun paint.

All kind of ratchet or clamping or snapping mechanisms are possible for holding the plug in its two positions. Furthermore, the simple inversion of forms in their function or in their position does not change the invention.

In addition, the inner conformation of the outlet duct end 11 of cover 4 can be adapted for receiving a second valve plug 33 as an occasional closing element, creating in this way an additional use of the cup according to the invention, i.e. the protection and preservation of the any leftover paint quantities specially prepared for the work in progress. For this purpose, a particular inner conformation of outlet duct 11 is not necessary. A sufficiently fitted sealing between these two parts ensuring appropriate temporary tightness during the necessary period of conservation is then used.

US 7,416,140 B2

5

A plug identical to the first plug 25 is preferably adopted for the second plug 33. Its cost price is low as this is the same piece made in plastic and manufactured by injection moulding.

The preparation of the paint is undertaken in the cup with the vent valve in the closed liquid-tight position or the opening being closed by a membrane or a skin or a reduced wall thickness. For this purpose, the container when placed on a horizontal flat surface is in a stable position due to the protruding annular edge 5 and the painter can easily carry out the preparation with the graduated scale 8 which is on the side surface of the cup body.

In order to proceed with painting, the painter simply needs to close the cup by its cover with its filter, to set up the spray gun on the cover outlet duct eventually with its adaptor part by a simple and fast movement, which is possible due to the tapered conical fitting, to turn the spray gun upside with its cup in place and move the valve plug 25 to the open position i.e. the vent protrusion is received by the snap-in effect in the first groove, namely the snap-in groove. The painter can thus work easily and without concern for a paint leakage or an untimely paint escaping through the upper side whenever the cup is tilted.

Besides the disposable nature of the cup according to the invention, which provides several advantages, we must add the easy use and gains in time in preparation thanks to its double use and its role as a paint pot for the preservation of the leftover paint ready for future use.

The central protrusion of the valve 22 can be covered by the valve closing movable element 20 as a cap. Thus, a female piece conformed as a cap presenting a central sealing part, which extends downwards according to a general conical form terminated by a sealing conformation, for example a pin in accordance with this function, can be appropriate. In the same way, the sealing pin embeds itself tightly in the vent opening 6 when the cap is in low position without protruding out of the lower face of the base. The characteristic positions can be marked by cooperation between grooves and annular protrusions, as previously, or other equivalent shapes. The passage of air is realized by longitudinal channels in the cylindrical protruding part or other equivalent means or embodiments.

FIGS. 9 to 13 concern other embodiments of the closable vent device.

First of all, FIG. 9 shows an alternative embodiment of plug type 34, for example one to be screwed, whose lower end is terminated by a closing pin 35 for the vent opening 6. The body of the plug 34 has a general T-shaped form with a cylindrical lower part 36 housed in the hollow cylindrical base 22. It continues with a cylindrical head part 37 with a larger diameter eventually surmounted by an even larger part. The body of the plug 34 has a central inner channel 38 for the air to pass and be admitted into the cup, which is divided towards the lower end into two branches 39 and 40. The high position corresponds to the open position of the passage of air at the time of painting while the plug in low position ensures the orifice or the opening of the cup bottom to be closed by the closing pin 35.

The holding in position or location of the plug 34, its guidance downwards towards the closed position and its locking in this position are carried out, for example, by a screw thread. Therefore, male thread 41 is formed in protrusion in the side surface of the cylindrical part 36 of the plug locating with a female thread 42 formed in the inner side surface of the cylindrical protrusion 22. When completely screwed in this corresponds to the closed position in which the plug can be held by snap-in protrusions or by any other means for

6

example with a catch. The same methods apply for the high open position. A fast closing-opening device of the quarter turn type or whatever other may also be used.

According to one of the characteristics of the invention, when the plug is embedded, its upper end does not protrude out of the surface defined by the outer upper ridge of the edge 5 in protrusion of the cup bottom.

FIG. 10 shows a further embodiment of the plug 43 of the kind with a lower closing pin 35. In this alternative, the air inlet is realized by, at least one or preferably two transverse channels such as 44 placed on the base of the cylindrical reception protrusion 22 of the cup bottom. The switch to the closed low position is also carried out by screwing as previously, i.e. by the male thread 41 on the cylindrical part of the plug body meeting with a female thread 42 in the inner side surface of the cylindrical protrusion or vice versa.

The additional alternative embodiment shown in FIGS. 11 to 13 is of the pivoting body type between a closed position in which it is tilted and hidden in the thickness of the bottom wall of the cup and an opening position in which it is upright.

The body of the pivoting movable element 45 of this additional alternative embodiment has the general shape of a whistle set up pivoting in a cavity 46 formed in the bottom wall 3 of the cup by two transverse lugs such as 47 lodged for example by clamping in corresponding opposed slots. This body is longitudinally crossed by an air passage channel 48 which comes out in open position facing or close to the opening 6 of cavity base 46 which is the vent opening in bottom wall 3 of the cup as shown in the drawings. The body of the tilting movable element 45 is made up of a linear elongated part 49 and of a bulb-shaped part 50. In the lower bulb-shape part 50 is conformed a stopping and closing pin 51 intended for closing the opening 6 in the bottom wall 3 of the cup in closed tilted down position and for holding the pivoting movable element 45 in this position. The protrusion corresponding to the pin 51 will ensure that the end of this latter will not protrude out of the inner face of the bottom but will be best flush with this one. The pivoting movable element 45 of this closable vent device has a block 52 in transversal protrusion acting as a means of gripping, as a pivot stop in opened position as shown in FIG. 12 and as a closing plug for the cup outlet should paint preservation be required as shown in FIG. 13.

The pin has an end form ensuring both reduced resistance in operation and sufficient tightness.

In order to house the linear part 49, in tilted down position corresponding to the closed position, a corresponding cavity 53 recessed in the thickness of the bottom wall 3 is for example provided. Bottom wall 3 must, obviously, be thicker for this purpose.

The height of the gripping block 52 will remain under a value, which would make it exceed the surface defined by the upper ridge of the annular edge 5 to ensure the stability of the cup in paint preparation position.

For the body of the cup, the use of certain materials including translucent or opaque materials may be considered for filtering the ultraviolet rays or preserving from them. This consideration proves to be important in the case of photosensitive products.

The invention claimed is:

1. A disposable cup for a spray gun for at least one of preparing, applying and preserving paint, the disposable cup having one of a cylindrical shape or a truncated cone-shaped cup body (1) including a bottom wall (3) with a face having a vent opening (6) formed therein and a cover (4), for closing an open end of the disposable cup, having an outlet duct (11) for dispensing the paint, the outlet duct (11) being directly eng-

US 7,416,140 B2

7

agable with one of the spray gun or via an adaptation part (18) of the spray gun (17), the disposable cup having on the bottom wall (3), a vent device (7) including a manually adjusted movable element (20) with a protruding end for cooperating and shutting the vent opening (6) in a closed position of the movable element (20), and, when the movable element (20) is in the opened position, the movable element (20) frees the protruding end from the vent opening (6) and allows air to enter and occupy an inner volume space created by consumed paint during painting, and when the movable element (20) closes in a liquid-tight way, the vent opening (6), an invertable container is formed which assists with paint preparation,

wherein the vent opening (6) is formed in a recessed portion of the bottom wall (3) of the disposable cup and the movable element (20) of the vent device is slidably located within a tubular valve body which forms a valve duct (22), and the movable element (20) prevents air from flowing through valve duct (22) when the movable element (20) is in the closed position.

2. The disposable cup according to claim 1, wherein the closable vent device (7) is located in or on a recessed portion of the bottom wall (3) and the vent device (7), when in the closed position, facilitates filling of the disposable cup with paint to be dispensed.

3. The disposable cup according to claim 1, wherein the movable element (20) has a closing pin which extends, in the closed position, into the vent opening (6) and prevents paint from passing through the vent opening (6).

4. The disposable cup according to claim 1, wherein the valve duct (22) extends from the bottom wall (3) of the disposable cup outward and has, on an inner side face, at least one immobilization structure provided for cooperation with a desired one of two complementary immobilization structures formed in or on a body of the movable element (20) or vice versa.

5. The disposable cup according to claim 1, wherein the valve duct (22) extends from the bottom wall (3) of the disposable cup outward and has, on the inner side face, an inner annular rib (24) for engagement with a desired one of with two complementary annular grooves formed in the body of the movable element (20).

6. The disposable cup according to claim 1, wherein the movable element is one of a solid and a hollow valve plug (25) having a general cylindrical shape, with an upper peripheral edge (26) which forms a shoulder, and a frontal surface of a lower end has a central protrusion and a side surface has immobilization structures for holding the movable element in the two positions and at least one passage of air.

7. The disposable cup according to claim 6, wherein the side surface has two immobilization structures which comprise spaced apart annular elements.

8. The disposable cup according to claim 7, wherein the immobilization structures comprise first and second annular grooves (29, 30) which are successively formed in a side surface of the plug (25) from a bottom to a top of the plug (25) from selectively engaging with an inner annular rib (24), formed in the tubular valve body, and the first annular groove (29) forms an opening stop and the second annular groove (30) forms a closing stop.

9. The disposable cup according to claim 8, wherein the at least one air passage is at least one notch (31, 32) which extends lengthwise along a side surface of the body of the valve plug (25), deeper than the first groove and the at least one air passage extends from a frontal lower end (27), across the first annular groove (29) and terminates before the second annular groove (30).

8

10. The disposable cup according to claim 6, wherein the central protrusion in the frontal surface of the lower end is a closing pin (28) which has a truncated cone shape for securely closing the vent opening (6), and the plug (25) is held in the closed position by at least one of the immobilization structures.

11. The disposable cup according to claim 10, wherein a size of the closing pin (28) and a penetration of the closing pin (28) into the vent opening (6) are such that the closing pin (28) generally does not protrude past an inner face of the bottom wall of the disposable cup or, at most is flush with the inner face of the bottom wall (3).

12. The disposable cup according to claim 1, wherein the bottom wall (3) of the disposable cup is set back from a corresponding face of the disposable cup by an annular peripheral edge (5) such that the vent device (7) is recessed from a plane defined by the peripheral edge (5) making up the support edge of the disposable cup in a standing position to provide stability for the disposable cup when filling the disposable cup with paint.

13. The disposable cup according to claim 1, wherein the vent device (7) comprises a cap plug which covers and is slidably mounted at least partially within the tubular valve body.

14. The disposable cup according to claim 13, wherein a cylindrical protrusion in the bottom face of the disposable cup receiving the plug has at least one air passage in a base thereof.

15. The disposable cup according to claim 1, wherein the vent device comprises a plug which is has an internal air passage formed therein.

16. The disposable cup according to claim 15, wherein the internal air passage is divided into two channels in a lower end of the plug.

17. The disposable cup according to claim 1, wherein the vent device comprises a pivoting piece (45) which has an internal air passage channel and the pivoting piece (45) is movable between a closing tilted position in which the vent opening (6) is closed by a protrusion (51) of the pivoting piece (45) and the air passage channel is not aligned with the vent opening (6), and an open position in which an inward end side of the air passage channel communicates with the vent opening (6) in the bottom wall (3) of the disposable cup.

18. The disposable cup according to claim 1, wherein the cup body of the disposable cup is manufactured from a material which is one of opaque, translucent or ultraviolet filtering.

19. A disposable cup for a spray gun for at least one of preparing, applying and preserving paint, the disposable cup having one of a cylindrical shape or a truncated cone-shaped cup body (1) including a bottom wall (3) with a surface having a vent opening (6) formed therein and a cover (4) for covering an open end of the disposable cup, the cover (4) having an outlet duct (11), for dispensing the paint, which is directly engagable with one of the spray gun or via an adaptation part (18) of the spray gun (17),

the disposable cup having a manually adjustable movable element (20) with a protruding end for shutting the vent opening (6) when the movable element (20) is in a closed position, and, when the movable element (20) is in an opened position, the movable element (20) facilitating entry of air through the vent opening (6) to replace, during painting, an inner volume space created by consumed paint, and when the movable element is in the closed position, the movable element (20) closes the vent opening (6), in a liquid-tight manner, so as to form a container which assists with paint preparation;

US 7,416,140 B2

9

wherein the vent opening (6) is formed in a recessed portion of the bottom wall (3) of the disposable cup which is sufficiently recessed and spaced from a plane defined by an annular peripheral edge (5) of the disposable cup such that when the disposable cup is inverted and supported by the annular peripheral edge (5), the disposable cup is able to stand in the inverted position in a stable manner with the movable element (20) spaced from the plane, and the movable element (20) of the vent device is slidably located within a tubular valve body which defines a valve duct (22), and the movable element (20) prevents air from flowing through the valve duct (22) when the movable element (20) is in the closed position; and a second valve plug (33) is engageable with the outlet duct (11) of the cover for forming a sealed container to store paint.

20. A disposable cup for a spray gun which assists with at least one of preparing, applying and preserving a paint, the disposable cup having one of a cylindrical shape or a truncated cone-shaped body (1) and including a bottom wall (3) with an annular peripheral edge (5), the bottom wall (3) having a closable vent device (7) with a manually adjustable movable element for closing a vent opening (6) of the vent device (7), and a cover (4) for sealing an opening of the disposable cup, the cover (4) having an outlet duct (11) which is connectable to one of the spray gun and an adaptation part (18) for the spray gun (17),

wherein the manually adjustable movable element, when in a closed position, sealingly engages and closes the vent opening (6), the vent device (7) comprises a tubular valve body which extends from the bottom wall (3) of the disposable cup and an interior of the tubular valve body communicates, via the vent opening (6), with an

10

interior space of the disposable cup to facilitate passage of air to the interior space of the disposable cup and replacing consumed paint during use, the manually adjustable movable element (20), with a protruding end, is manually movable within and along the tubular valve body to the closed position and to an opened position, the protruding end of the movable element (20) which faces the bottom wall (3) is adapted for sealingly engaging and closing the vent opening (6) in a liquid-tight manner when the movable element (20) is in the closed position, the tubular valve body defines a valve duct (22) which facilitates air enter into the tubular valve body when the movable element (20) is at least in the opened position, the movable element (20) always remains accommodated within the tubular valve body, even when the movable element (20) is in the opened position, and, when the vent opening (6) is closed by the movable element (20), and the movable element (20) seals the vent opening (6) and results in a container which assists with paint preparation.

21. The disposable cup according to claim 20, wherein a portion of the bottom wall (3) of the disposable cup, accommodating the closable vent device (7), is sufficiently recessed and spaced from a plane defined by an annular peripheral edge (5) of the bottom wall (3) such that when the disposable cup is inverted and supported on a surface solely by the annular peripheral edge (5), the disposable cup is able to stand in a stable manner in the inverted position unaffected by the vent device (7), and a valve plug (33) is provided for sealing the outlet duct (11) of the cover (4) and forming a sealed paint container for storing paint.

* * * * *

EXHIBIT B

(A true and correct copy of a printout from
www.hanspray.com)



PRODUCTS > EVENTS > ABOUT US >

Search



HOW TO CHOOSE THE BEST OPTION FOR YOU

SEE MORE INFORMATION >>>

New design here are part spray gun cup [Go To Product Order](#)

New arrival PSA paint spray gun cup

Speedy paint system 85CM

WHO WE ARE

Hanspray Industries Holding CO., Ltd is a specialized manufacturer for paint preparation solution with over 10 years' experience/200,000 sq. ft. plant.

Our featured product SPS (speedy paint system) has been proved to be the best option in this industry.....

[About Hanspray](#)



Automechanika Frankfurt will be held from the 1... Delivery On Time Reliable Manufacturer

Automechanika Frankfurt will be held from the 13th to the 17th of September 2017. Welcome to visit our newest product and be served by our production management team who are 10 years' experience in helping forward in making you travel Best... sales experience. There is a speciality time at 15:20 days...

[More](#)

HANSPRAY INDUSTRIES HOLDING CO., LTD

Are you interested in our products? Please contact us through phone, email and we will contact you as soon as possible.

SEARCH

ADDRESS
Lima business plaza, No. 6-8, Shuangfeng road, Hangzhou, District Binjiang, China

TEL: +86 571 82288202
+86 571 82288203
+86 571 82288277

EMAIL
sales@hanspray.com

FXVB

Copyright © 2019 Hanspray.com



EXHIBIT C
(A true and correct copy of brochure)

SATA® RPS®



Spray Guns | Cup Systems | Breathing Protection | Air Filtration | Accessories

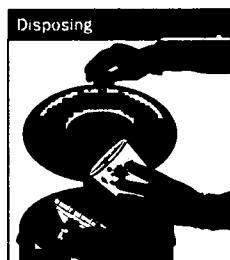
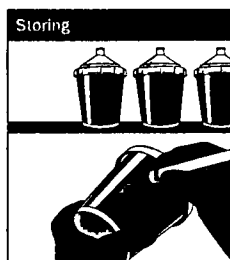
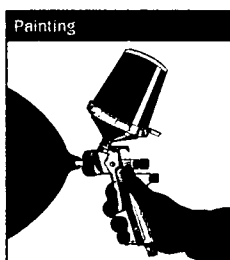
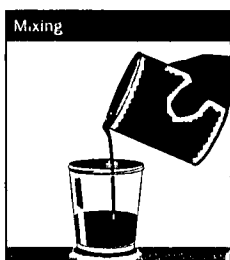
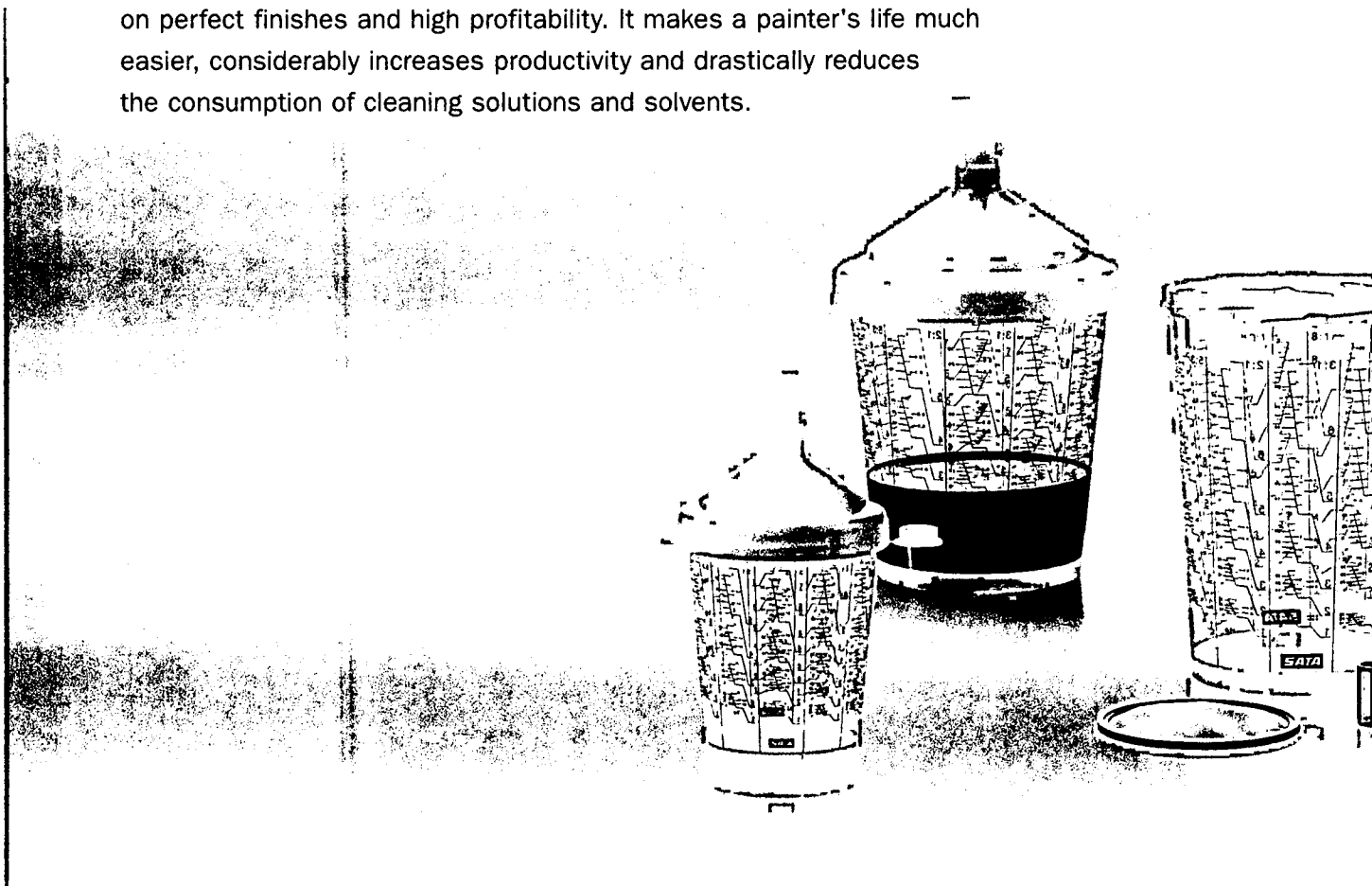


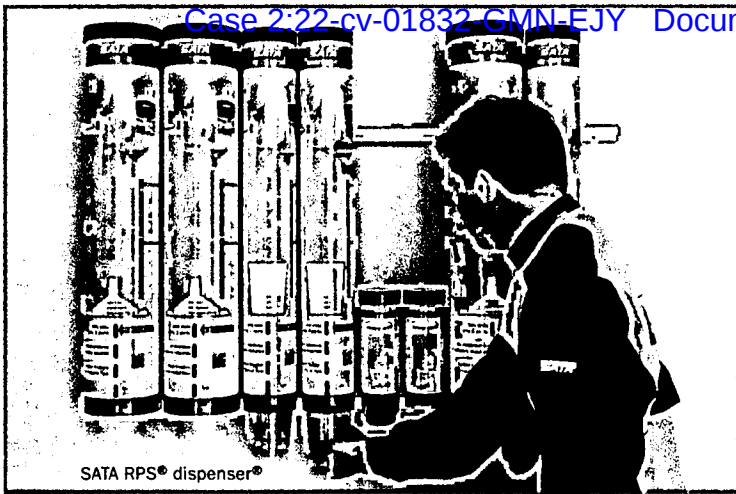
The cup system for mixing and painting

SATA® RPS® – The Original.

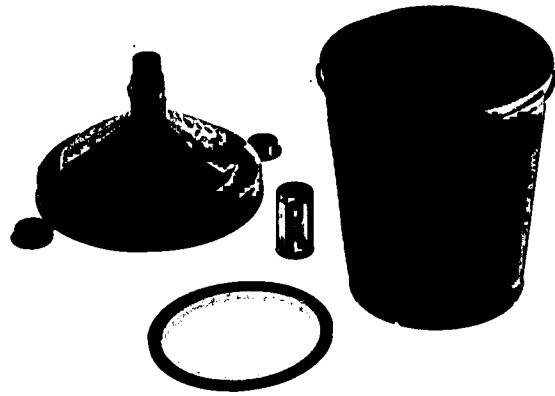
The safe, refillable cup system for professionals: easy, perfect and without compromise

SATA RPS (Rapid Preparation System) is the ideal cup system for shops focusing on perfect finishes and high profitability. It makes a painter's life much easier, considerably increases productivity and drastically reduces the consumption of cleaning solutions and solvents.





Also available as UV version



CHARACTERISTICS

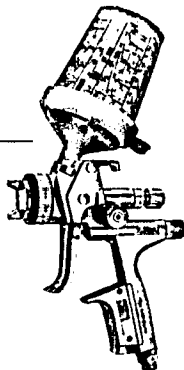
- Easy to use – only 3 parts
- Constant material flow – helps the painter to achieve perfect coating results just like child's play
- Allows very quick colour changes – cleaning becomes a secondary issue
- The special lid shape ensures complete consumption of the paint contained in the cup
- Large number of mixing ratios (up to 100 variations)
- Fits directly on all SATA spray guns
- Stable cup ensures safe storage of leftover material
- Reduces cleaning efforts and solvent consumption

- Available in the 3 cup sizes 0.3 l, 0.6 l and 0.9 l
- Different strainer types available

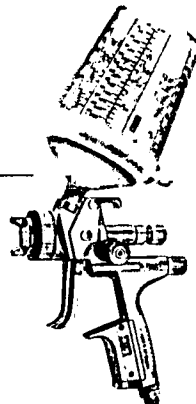
For selecting the correct sieve fineness, please ask your paint manufacturer.

Available in 3 different cup sizes

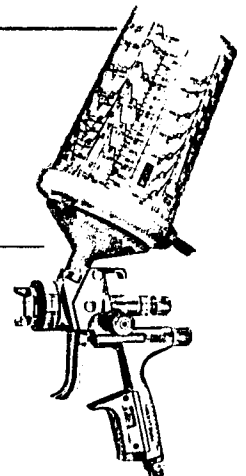
0,3 l



0,6 l



0,9 l



Cup system:

	0,3 l minJet	0,3 l	0,3 l	0,6 l	0,9 l	0,6 l UV
Spray gun model	SATAmInJet 3000 B	SATAJet 5000 B, SATAmInJet 4400 B, SATAJet 4000 B, SATAJet 3000 B, SATA NR 2000, SATAJet RP, SATAJet 1000 B, SATA LM 2000 B, SATAJet 100 B, SATA KLC, SATAJet 90				
Flat sieve 125 µm*	60 x	40 x	100 x	60 x	40 x	60 x
Art. No.	1010553	1010389	1010420	1010438	1011973	1010496
Plug-in sieve 200 µm*	60 x	40 x	100 x	60 x	40 x	60 x
Art. No.	1010561	1010397	1010404	1010488	1011981	1010503

Spare parts:

	0.3 l (Art. No.)	0.6 l and 0.9 l (Art. No.)
Lid	1013218 (60 x Standard) 1013234 (108 x minJet 3000 B)	1013226 (80 x)
Flat sieve 125 µm	160806 (60 x)	131979 (100 x)
Plug-in sieve 200 µm	131987 (100 x)	131987 (100 x)

SATA RPS adapters with QCC function:

	M 16 x 1,5 l	M 16 x 1,5 a	
SATA NR 2000 HVLP without QCC		x	Only required for the use of QCC quick change adapter
SATAJet RP without QCC		x	
SATA LM 2000 HVLP/RP		x	
SATA KLC HVLP/RP, SATA KLC P		x	
SATAJet B, SATAJet B NR 92/NR 95 HVLP	x		
SATAJet 90		x	
Art. No. / (Adaptor No.)	125211 / (1)	125237 / (2)	

Adapters are available for older SATA spray gun models and guns from other manufacturers. Complete overview: www.sata.com

Accessories:

SATA® RPS® depot™
to store RPS boxes.

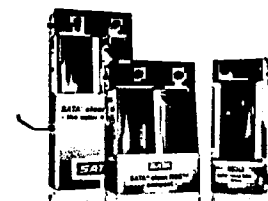
Art. No. 144840
(RPS cartons not included)



SATA® clean RCS®
Art. No. 145581

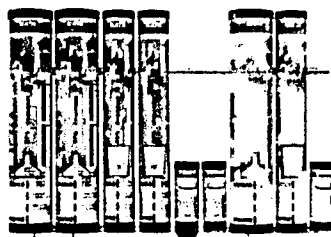
SATA® clean RCS® compact
Art. No. 192518

SATA® clean RCS® micro
Art. No. 202564



SATA® RPS wall dispenser®
Art. No. 195784

+ optional: extension kit
Art. No. 195776



SATA® RPS rotafloor®
Art. No. 196550

+ optional: ground plate
Art. No. 197723



Your SATA dealer



SATA GmbH & Co. KG
Domertalstr. 20
70806 Kornwestheim
Germany
Tel. +49 7154 811-200
Fax +49 7154 811-194
E-Mail: export@sata.com
www.sata.com

Errors and technical alterations reserved - SATA, SATAJet and/or other SATA products referenced herein are either registered trademarks or trademarks of SATA GmbH & Co. KG in the U.S. and/or other countries.

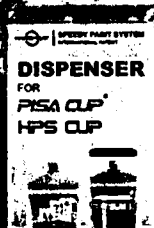
EXHIBIT D

(A true and correct copy of HANspray Product
Family Leaflet)



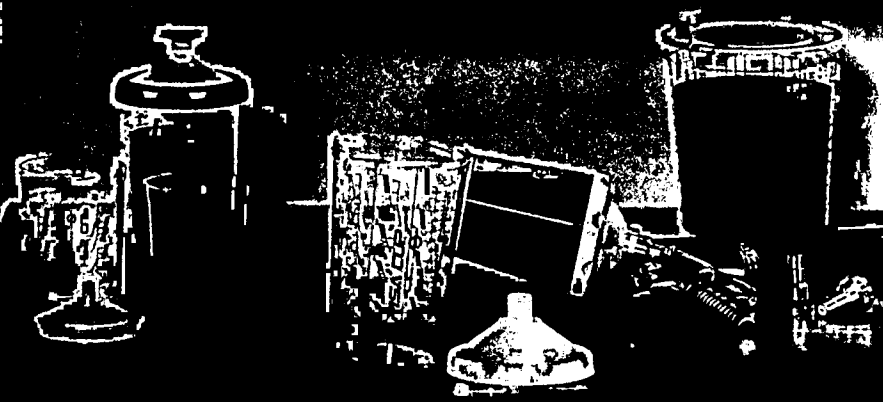
PRODUCT FAMILY

- PISA CUP
- HPS CUP
- MIXING CUP
- MIXING STICK



600ml / 800ml

INDUSTRIAL GROUP PRESENTS



www.hanspray.com

EXHIBIT E

(A true and correct copy of HANspray Pisa Cup
Leaflet)

RISA CUP[®]

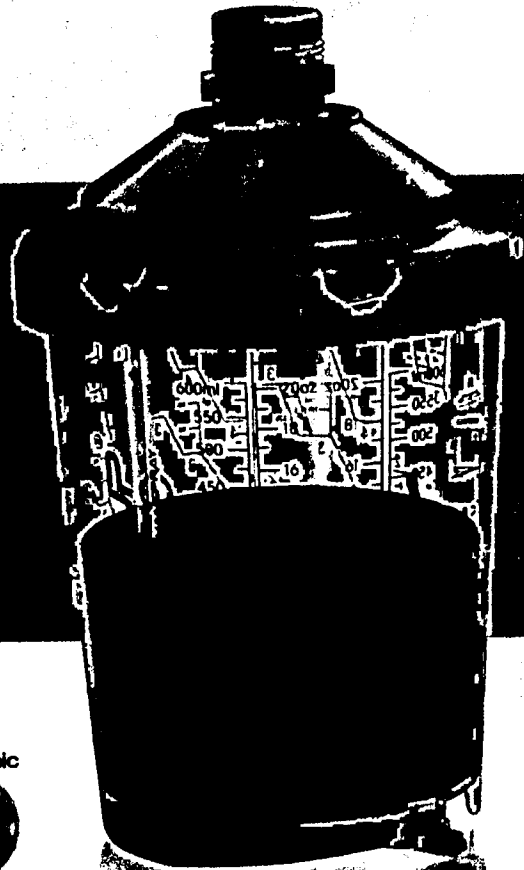
Engineered by HANSPRAY[®]

PLEASURE - Unique vent structure for open/close without finger, for fun.

INSTANT - Geometric holes and 1/4 thread on lid for quick lock.

SAFE - Groundbreaking leaning design warns not filling before seal.

ACCURATE - Natural aspiration structure offers consistent and precise flow.



CUP



PLUG



LID



STOPPER

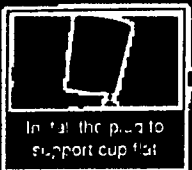
125mic 200mic



FILTER

INSTRUCTIONS

FOR ACCURATE SPRAY



Insert the plug to support cup flat



Fill liquid into cup & mix correctly



Press the filter in & tighten the lid



Connect cup & gun with adaptor



Flip over the gun & lift plug to spray



Seal the cup with stopper for storage

www.hanspray.com

*Please contact local agent for any assistance