

1 LAW OFFICES OF MARC LIBARLE
2 Marc Libarle (CABN: 071678)
3 ml7006@gmail.com
4 1388 Sutter St, Ste 910
5 San Francisco, CA 94109
6 Phone: (415) 928-2400

7 HALLER LAW PLLC
8 Timothy J. Haller (Pro Hac Vice Pending)
9 haller@haller-iplaw.com
10 230 E Delaware Pl, Ste 5E
11 Chicago, IL 60611
12 Phone: (630) 336-4283

13 *Attorneys for Plaintiff, BelAir Electronics, Inc.*

14 **UNITED STATES DISTRICT COURT**
15 **NORTHERN DISTRICT OF CALIFORNIA**

16 **BELAIR ELECTRONICS, INC.,**
17 **Plaintiff,**
18 **v.**
19 **LOVE DEALS INC (d/b/a TRIANIUM, d/b/a**
20 **TRIANIUMDIRECT)**
21 **Defendant.**

22 **Case No. 3:24-cv-6352**
23 **COMPLAINT FOR PATENT**
24 **INFRINGEMENT**
25 **DEMAND FOR JURY TRIAL**

26 Plaintiff BelAir Electronics, Inc. complains of Defendant Love Deals Inc (d/b/a Trianium, d/b/a
27 TrianiumDirect) as follows, all upon Plaintiff's best information and belief:

28 **NATURE OF LAWSUIT**

1. This is a claim for patent infringement arising under the patent laws of the United States,
Title 35 of the United States Code.

THE PARTIES

2. Plaintiff BelAir Electronics, Inc. ("BelAir" or "Plaintiff") is an Illinois corporation with its
principal place of business at 5723 Antler Lane, Westmont, Illinois 60559.

1 3. BelAir is the named assignee of, owns all right, title and interest in, and has standing to sue
2 for infringement of United States Patent No. 7,941,195, entitled “Protective Mask of Mobile Phone,”
3 which issued on May 10, 2011 (the “195 Patent”) (a true and correct copy is attached as Exhibit A) and
4 United States Patent No. 10,097,676, entitled “Protective Mask of Mobile Phone,” which issued on
5 October 9, 2018 (the “676 Patent”) (a true and correct copy is attached as Exhibit B) (collectively, the
6 “Asserted Patents”).

7 4. BelAir has the exclusive right to license, enforce, and collect all past damages for
8 infringement of the Asserted Patents for the period starting six years prior to the filing
9 date of this suit (September 10, 2018) through the expirations of the Asserted Patents. BelAir also has
10 standing to sue for infringement of the Asserted Patents

11 5. Upon information and belief, Defendant Love Deals Inc (d/b/a Trianium, d/b/a
12 TrianiumDirect) (“Trianium” or “Defendant”) is a domestic California corporation with a principal place
13 of business at 34972 Newark Boulevard, Suite160, Newark, California 94560.

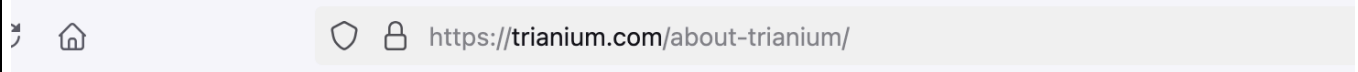
14 6. Upon information and belief, Defendant’s address at 34972 Newark Boulevard, Suite160
15 Newark, California 94560 is a private mailbox. Upon further information and belief, Defendant has an
16 additional place of business at 30773 Wiegman Road, Hayward, California 94544.

17 7. Upon information and belief, Sen Cai is listed as the agent, CEO, and CFO for Defendant.

18 8. Upon information and belief, Defendant operates the website trianium.com.

19 9. In furtherance of Plaintiff’s review and analysis prior to filing this action, Plaintiff studied
20 Defendant’s publicly-available product literature and, among other things, purchased a “Trianium Clarium
21 Case Designed For Apple iPhone 11” and a “Trianium Case Compatible For 11-inch iPad Pro Case
22 (2018)” for assessment as representative of the Accused Products (further defined below).

23 10. Defendant primarily advertised and sold Accused Products at <https://tranium.com> related
24 urls in the trianium.com domain, which further directed customers to various Amazon.com storefronts
25 and various distributors of Accused Products.



TRIANIUM Feel the Protection

About Trianium

Trianium is established by Love Deals Inc, an innovative product development team. Trianium’s unwavering belief in creating innovative designs, delivering reliable products, and providing exceptional customer service have made us one of the biggest leaders in mobile accessories.

At Trianium we are passionate about our products and the people who use them, that’s why we make every effort to create and provide superior products with innovative solutions. Using our founding three principles of Trianium-technology, we focus on products that emphasize innovative designs, quality products, and offer reliable consumer solutions. With 100% customer satisfaction always on our minds, we rigorously test every product to ensure that Trianium is your most reliable power source.

- At *Trianium*, we utilize the world’s best distribution platform, “[Amazon.com](#)”, to handle your order. Genuine Trianium products are only available through the authorized seller name – [TrianiumDirect](#), on Amazon. Products purchase from sites like eBay or craigslist, or from unauthorized storefronts, flea markets or swap meets are always questionable.

Amazon Store Owned by Trianium
 Company Name: LOVE DEALS INC
 Amazon Store Name: [TrianiumDirect](#)

Principle office: 34972 Newark Blvd Ste 160, Newark, CA 94560
 Telephone: +1 269-358-8928

11. Defendant offered for sale and sold the Accused Products (as further identified below) for mobile devices throughout the United States and this Judicial District.

JURISDICTION AND VENUE

12. BelAir’s claims for patent infringement against Defendant arises under the patent laws of the United States including 35 U.S.C. §§ 271 and 281. Consequently, this Court has original and exclusive subject matter jurisdiction over this Complaint pursuant to 28 U.S.C. §§ 1331 and 1338(a).

13. Defendant owns, operates, and conducts business in the state of California and directs advertisements at residents of California – which were covered by claims of the Asserted Patents – and throughout the United States including California and this judicial district.

1 14. Defendant is a registered California corporation currently doing business in this judicial
2 district, has purposefully availed itself of the privilege of conducting business with residents of this judicial
3 district, has purposefully reached out to residents of this judicial district, and has established sufficient
4 minimum contacts with the State of California such that it should reasonably and fairly anticipate being
5 haled into court in California.

6 15. Venue in this judicial district is proper under 28 U.S.C. § 1400(b) because Defendant
7 resided in this Judicial District.

8 **DIVISIONAL ASSIGNMENT**

9 16. Pursuant to Civil L.R. 3-5(b) and Civil L.R. 3-5(b) and upon information and belief,
10 Defendant's place of business at 30773 Wiegman Road, Hayward, California 94544 is located in Alameda
11 county and therefore this case shall be assigned to the San Francisco Division or the Oakland Division.

12 **THE ACCUSED PRODUCTS**

13 17. Defendant has infringed certain claims of the Asserted Patents through the manufacture,
14 sale, offer for sale, advertisement, importation, shipment, distribution, and/or use of Defendant's
15 protective masks for mobile devices (herein referred to as the "Accused Products").

16 18. As presently advised, the Accused Products include the following categories of protective
17 masks for mobile devices ("Case Styles"): Clarium, Clear Cushion, Designer, Duranium, Protak,
18 Protanium, Silicone, Slim, Wallet, Walletium, and iPad Pro (*See* Exhibit C, <http://tranium.com/>;
19 <https://tranium.com/>; <http://tranium.com/shop/>; <https://tranium.com/shop/>;
20 https://web.archive.org/web/*/http://tranium.com/;
21 https://web.archive.org/web/*/https://tranium.com/;
22 [https://www.amazon.com/stores/Trianium/Trianium/page/EB678A36-EB95-4C2F-9154-
23 9E375C2FAB64](https://www.amazon.com/stores/Trianium/Trianium/page/EB678A36-EB95-4C2F-9154-9E375C2FAB64); and related urls in the Defendant's websites and Amazon storefronts).

24 19. As presently advised, the Accused Products include protective masks for at least the
25 following mobile devices: Apple iPhone SE; Apple iPhone 5; Apple iPhone 5s; Apple iPhone 6; Apple
26 iPhone 6s; Apple iPhone 6 Plus; Apple iPhone 6s Plus; Apple iPhone 7; Apple iPhone 7 Plus; Apple
27 iPhone 8; Apple iPhone 8 Plus; Apple iPhone X; Apple iPhone XR; Apple iPhone XS; Apple iPhone XS

1 Max; Apple iPhone 11; Apple iPhone 11 Pro; Apple iPhone 11 Pro Max; Apple iPhone 12 Pro Max; Apple
2 iPhone 13; Apple iPhone 13 Pro; Apple iPhone 13 Pro Max; Apple iPhone 14; Apple iPhone 14 Plus;
3 Apple iPhone 14 Pro; Apple iPhone 14 Pro Max; Samsung Galaxy Note 7; Samsung Galaxy Note 8;
4 Samsung Galaxy Note 9; Samsung Galaxy Note 10; Samsung Galaxy Note 10 Plus; Samsung Galaxy S6;
5 Samsung Galaxy S6 Edge; Samsung Galaxy S7; Samsung Galaxy S7 Edge; Samsung Galaxy S8; Samsung
6 Galaxy S8 Plus; Samsung Galaxy S9; Samsung Galaxy S9 Plus; Samsung Galaxy S10; Samsung Galaxy
7 S10E; Samsung Galaxy S10 5G; Samsung Galaxy S10 Plus; Google Pixel; Google Pixel XL; Google
8 Pixel 2; Google Pixel 2 XL; Google Pixel 3; Google Pixel 3 XL; Apple iPad Pro 11-inch (2018); Apple
9 iPad Pro 12.9-inch (2018) (*See* Exhibit C, <http://tranium.com/>; <https://tranium.com/>;
10 <http://tranium.com/shop/>; <https://tranium.com/shop/>;
11 https://web.archive.org/web/*/http://tranium.com/;
12 https://web.archive.org/web/*/https://tranium.com/;
13 [https://www.amazon.com/stores/Trianium/Trianium/page/EB678A36-EB95-4C2F-9154-
14 9E375C2FAB64](https://www.amazon.com/stores/Trianium/Trianium/page/EB678A36-EB95-4C2F-9154-9E375C2FAB64); and related urls in the Defendant’s websites and Amazon storefronts).

15 20. As presently advised, the Accused Products include Defendant’s cases found at
16 <https://tranium.com>, related urls in the trianium.com domain, and the Amazon.com storefront
17 “TrianiumDirect” with business name “LOVE DEALS INC,” as well as various Amazon.com storefronts
18 and various distributors of Accused Products.

19 21. The Accused Products, as illustrated below, are those protective masks that are capable of
20 being coupled to a portion of a mobile device so that the mobile device will not fall out of the protective
21 mask. The Accused Products are those protective masks that comprise a flange or retainer (as recited in
22 the asserted claims, *infra*). The Accused Products also may use flange(s) or retainer(s) in conjunction with
23 substantial surface to surface contact by the inner surface of the protective mask which conforms to the
24 contour of the outer surface of the mobile device, working together to provide non-permanent, temporary
25 protection to the mobile device. While not required by all asserted claims, the Accused Products are
26 protective masks that include openings to allow access to the interface as well as inputs and outputs, as
27 well as protective masks that have patterns, nameplates, type, text, or graphic elements. *See* Exhibit C for
28

1 exemplary photos for all categories of Defendant's case styles. Below are pictures of representative
2 Accused Products.



1
2
3
4
5
6
7
8
9
10
11
12
13
14
15
16
17
18
19
20
21
22
23
24
25
26
27
28





13 Trianium Clarium Case Designed For Apple iPhone 11: [http://tranium.com/product/tranium-clarium-](http://tranium.com/product/tranium-clarium-case-designed-for-apple-iphone-11/?post_in_lightbox=1)
14 [case-designed-for-apple-iphone-11/?post_in_lightbox=1](http://tranium.com/product/tranium-clarium-case-designed-for-apple-iphone-11/?post_in_lightbox=1) (See Exhibit C and pictures of representative
15 products).



MADE FOR IPAD PRO

Precise cutouts for convenient access to the camera, USB-C charging port, speakers, microphones, magnetic connector, and all buttons.



1
2
3
4
5
6
7
8
9
10
11
12
13
14
15
16
17
18
19
20
21
22
23
24
25
26
27
28



1
2
3
4
5
6
7
8
9
10 Trianium Case Compatible For 11-inch iPad Pro Case (2018): http://trianium.com/product/trianium-case-compatible-for-11-inch-ipad-pro-case-2018/?post_in_lightbox=1 (See Exhibit C and pictures of
11 representative products).
12

13 22. The Accused Products subject to this Complaint include all substantively similar products
14 and any predecessor and/or successor versions that satisfy each limitation of, and therefore infringe, any
15 asserted claim of the Asserted Patents whether sold directly or via other online marketplaces or brick and
16 mortar retail stores.

17 23. After adequate discovery, BelAir may seek leave to amend this Complaint to include
18 additional details of infringement, if any, by other products hereafter discovered to infringe the Asserted
19 Patents.

20 **INFRINGEMENT BY DEFENDANT**

21 **COUNT I: INFRINGEMENT OF UNITED STATES PATENT NO. 7,941,195**

22 24. Plaintiff BelAir realleges and incorporates by reference paragraphs 1 through 23, inclusive,
23 as though fully set forth herein.

24 25. Defendant infringed at least independent Claim 9 of the ‘195 Patent (prior to its expiration
25 on or about November 16, 2022).
26
27
28

CLAIM 9

26. The Accused Products, as manufactured, sold, offered for sale, advertised, imported, shipped, distributed, and/or used by Defendant, comprised a protective mask adapted to be coupled to an exterior housing of a mobile phone having internal components including circuitry and a battery, which are covered by the exterior housing, in accordance with the limitations of Claim 9 of the ‘195 Patent.

27. Specifically, the Accused Products comprised:

- a. a first mask portion, molded to conform to the shape of a first portion of the exterior housing of the mobile phone; and
- b. the first mask portion having flanges to allow the first mask portion to be coupled to the mobile phone to retain the first mask portion to the first portion of the exterior housing so that the first mask portion covers the first portion of the exterior housing of the mobile phone.

28. To the extent required by law, BelAir has complied with the provisions of 35 U.S.C. § 287.

29. Defendant had notice of the ‘195 Patent and the likelihood of infringement thereof at least as early as September 1, 2022, pursuant to email correspondence from BelAir to Defendant via Sen Cai, agent, CEO, and CFO to Defendant. Follow up emails were sent on September 21, 2022 and November 28, 2022. Defendant acknowledged receipt of correspondence on November 28, 2022. BelAir and Defendant engaged in extensive communications since notice was provided to Defendant. However, these communications did not result in an executed agreement and Defendant fell silent, leaving BelAir no choice but to file this litigation in order to protect its intellectual property rights.

30. Defendant’s infringement as described above, either literally or under the doctrine of equivalents, has injured BelAir and BelAir is entitled to recover damages adequate to compensate it for such infringement, but in no event less than a reasonable royalty.

COUNT II: INFRINGEMENT OF UNITED STATES PATENT NO. 10,097,676

31. Plaintiff BelAir realleges and incorporates by reference paragraphs 1 through 23, inclusive, as though fully set forth herein.

1 38. As presently advised, one or more Accused Products also likely satisfied the limitations of,
2 and infringed, dependent Claims 6 and 7 of the '676 Patent.

3 **CLAIM 8**

4 39. The Accused Products, as manufactured, sold, offered for sale, advertised, imported,
5 shipped, distributed, and/or used by Defendant, comprised a mask for attachment to a hand-held mobile
6 phone, the mobile phone having user input and output interfaces, internal components including circuitry
7 and a battery, and an exterior housing completely enclosing the circuitry and battery when the mobile
8 phone is fully assembled and ready for use, the exterior housing including a first face, a second face and
9 opposed side surfaces there between, in accordance with the limitations of Claim 8 of the '676 Patent.

10 40. Specifically, the Accused Products comprised:

- 11 a. an integrally-formed mask body molded to conform to a shape of the exterior
12 housing;
- 13 b. inner and outer surfaces, the surfaces defining at least one opening in the integrally-
14 formed mask body providing access to at least one of the user input and output
15 interfaces, the integrally-formed mask body being configured such that, when the
16 mask is attached to the mobile phone, the integrally-formed mask body is
17 coextensive with, contours to and overlies the opposed side surfaces, with
18 substantially no space between the mask body and the opposed side surfaces; and
- 19 c. at least one retainer having an extension protruding laterally inward from the
20 integrally-formed mask body and toward and into the integrally-formed mask body
21 interior space, wherein the at least one retainer is retained to the exterior housing at
22 an exterior housing edge when the mask is coupled to the mobile communication
23 device, the at least one retainer participating in retaining the integrally-formed mask
24 body to the mobile communication device.

25 **CLAIM 9**

26 41. The Accused Products, as manufactured, sold, offered for sale, advertised, imported,
27 shipped, distributed, and/or used by Defendant, comprised a protective mask molded for frictional
28

1 retention to an exterior housing of a fully assembled mobile communication device having user input and
2 output interfaces, the mobile communication device further having internal components including
3 circuitry and a battery completely enclosed by the exterior housing, and the exterior housing having an
4 exterior shape formed by a back surface and at least portions of opposed side surfaces, in accordance with
5 the limitations of Claim 9 of the '676 Patent.

6 42. Specifically, the Accused Products comprised:

- 7 a. an inner surface closely conforming to the exterior shape of the exterior housing
8 and in substantially continuous surface-to-surface contact with the exterior shape
9 of the exterior housing, with substantially no space between the inner surface of the
10 protective mask and the exterior shape when the protective mask is retained to the
11 exterior housing, the protective mask being molded, integrally formed, contoured
12 and sized to fit tightly against the exterior shape of the exterior housing, thereby
13 providing retention of the protective mask to the exterior housing;
- 14 b. at least one opening defined by the protective mask permitting user access to at
15 least the user input and output interfaces; and
- 16 c. at least one retainer having an extension protruding laterally inward from the
17 integrally-formed mask body and toward and into the integrally-formed mask body
18 interior space, wherein the at least one retainer is retained to the exterior housing at
19 an exterior housing edge when the mask is coupled to the mobile communication
20 device, the at least one retainer participating in retaining the integrally-formed mask
21 body to the mobile communication device.

22 43. As presently advised, one or more Accused Products also likely satisfied the limitations of,
23 and infringed, dependent Claims 10, 11, and 12 of the '676 Patent.

24 44. To the extent required by law, BelAir has complied with the provisions of 35 U.S.C. § 287.

25 45. Defendant had notice of the '676 Patent and the likelihood of infringement thereof at least
26 as early as September 1, 2022, pursuant to email correspondence from BelAir to Defendant via Sen Cai,
27 agent, CEO, and CFO to Defendant. Follow up emails were sent on September 21, 2022 and November
28

1 28, 2022. Defendant acknowledged receipt of correspondence on November 28, 2022. BelAir and
2 Defendant engaged in extensive communications since notice was provided to Defendant. However, these
3 communications did not result in an executed agreement and Defendant fell silent, leaving BelAir no
4 choice but to file this litigation in order to protect its intellectual property rights.

5 46. Defendant's infringement as described above, either literally or under the doctrine of
6 equivalents, has injured BelAir and BelAir is entitled to recover damages adequate to compensate it for
7 such infringement, but in no event less than a reasonable royalty.

8 **PRAYER FOR RELIEF**

9 WHEREFORE, Plaintiff BelAir Electronics, Inc. respectfully requests this Court to enter judgment
10 against Love Deals Inc (d/b/a Trianium, d/b/a TrianiumDirect) – and against each of its subsidiaries,
11 successors, parents, affiliates, officers, directors, agents, servants, employees, and all persons in active
12 concert or participation with it – granting the following relief:

13 A. The entry of judgment in favor of Plaintiff and against Defendant;

14 B. An award of damages against Defendant adequate to compensate Plaintiff for the
15 infringement that occurred from at least September 10, 2018 through expirations of the Asserted Patents,
16 but in no event less than a reasonable royalty as permitted by 35 U.S.C. § 284, together with prejudgment
17 interest from the date infringement began; and

18 C. Such other relief to which Plaintiff is entitled under the law and any other and further relief
19 that this Court or a jury may deem just and proper.

20 **JURY DEMAND**

21 Plaintiff demands a trial by jury on all issues presented in this Complaint.
22
23
24
25
26
27
28

1 Dated: September 10, 2024

Respectfully submitted,

2 /s/ Marc Libarle

3 LAW OFFICES OF MARC LIBARLE

Marc Libarle (CABN: 071678)

4 ml7006@gmail.com

5 HALLER LAW PLLC

Timothy J. Haller (*Pro Hac Vice Pending*)

6 haller@haller-iplaw.com

7 *Attorneys for Plaintiff, BelAir Electronics, Inc.*

8

9

10

11

12

13

14

15

16

17

18

19

20

21

22

23

24

25

26

27

28

EXHIBIT A

TO

**COMPLAINT FOR PATENT
INFRINGEMENT**

**United States Patent No.
7,941,195**



US007941195B2

(12) **United States Patent**
Peng

(10) **Patent No.:** US 7,941,195 B2
(45) **Date of Patent:** *May 10, 2011

(54) **PROTECTIVE MASK OF MOBILE PHONE**

5,012,513 A 4/1991 Dale et al.
D337,435 S 7/1993 Kaneko et al.
D338,470 S 8/1993 Clayton
D342,262 S 12/1993 Hester
D348,472 S 7/1994 Cyfko
5,383,091 A 1/1995 Snell

(75) Inventor: **Kuan-Lin Peng**, Taipei (TW)

(73) Assignee: **Gregory J. Kim**, Westmont, IL (US)

(*) Notice: Subject to any disclaimer, the term of this patent is extended or adjusted under 35 U.S.C. 154(b) by 654 days.

This patent is subject to a terminal disclaimer.

(Continued)

FOREIGN PATENT DOCUMENTS

DE 20019958.7 2/2001

(Continued)

(21) Appl. No.: **11/673,237**

OTHER PUBLICATIONS

(22) Filed: **Feb. 9, 2007**

IL Telefono Cellulare & C. 2 pages. Date: Oct. 2000. (Shows replacement mobile telephone housing portions.).

(65) **Prior Publication Data**

US 2007/0191079 A1 Aug. 16, 2007

Related U.S. Application Data

(63) Continuation of application No. 09/888,488, filed on Jun. 26, 2001, now Pat. No. 7,194,291.

Primary Examiner — Kent Chang

Assistant Examiner — Dinh P Nguyen

(74) *Attorney, Agent, or Firm* — Jansson Shupe & Munger Ltd.

(30) **Foreign Application Priority Data**

Nov. 17, 2000 (CN) 00 2 52902 U

(57) **ABSTRACT**

The present invention relates to a protective mask of mobile phone comprising an upper cover body and a lower cover body. The upper and lower cover bodies can be joined with a front and a rear phone housings of a mobile phone, respectively, to effectively prevent abrasion of the mobile phone due to carelessness of a user, thereby preventing ill-favored scars on the mobile phone. Therefore, the deterioration of the quality of the mobile phone and the fall of its value can be avoided. Moreover, trend and fashion of the mobile phone can be achieved without the need of replacing the mobile phone. Therefore, waste of money can be avoided, and economic burden to the user can be lessened.

(51) **Int. Cl.**

H04M 1/00 (2006.01)

(52) **U.S. Cl.** 455/575.8; 455/550.1; 455/575.1

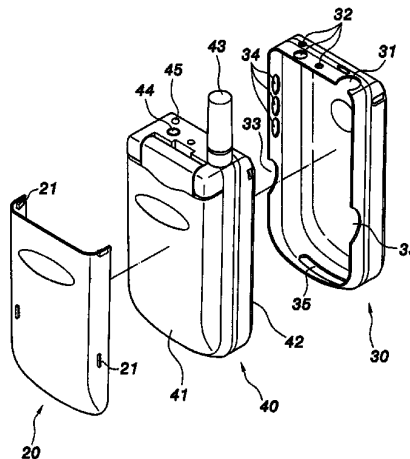
(58) **Field of Classification Search** 455/575.8, 455/575.9, 575.1, 550.1, 90.1, 90.3, 348, 455/349, 550; 379/433.01, 433.11, 451
See application file for complete search history.

(56) **References Cited**

U.S. PATENT DOCUMENTS

D211,355 S 6/1968 Farnham et al.
D219,451 S 12/1970 Blackman
4,121,061 A 10/1978 Donaldson

12 Claims, 7 Drawing Sheets



US 7,941,195 B2

Page 2

U.S. PATENT DOCUMENTS

D365,927 S 1/1996 Cho
D369,903 S 5/1996 Tetrault
5,586,704 A 12/1996 Alexander et al.
D382,538 S 8/1997 Brunette
D385,283 S 10/1997 Snyder et al.
D385,554 S 10/1997 Nuovo et al.
5,678,204 A 10/1997 Naylor
D395,749 S 7/1998 Jayez
D396,951 S 8/1998 Huber
D397,246 S 8/1998 Hoofnagle et al.
5,809,403 A 9/1998 MacDonald, Jr. et al.
D400,541 S 11/1998 Harrison
D408,402 S 4/1999 Shimelfarb et al.
5,896,277 A 4/1999 Leon et al.
5,933,330 A 8/1999 Beutler et al.
5,988,577 A 11/1999 Phillips et al.
6,006,074 A 12/1999 De Larminat et al.
6,011,699 A 1/2000 Murray et al.

D425,907 S 5/2000 Frye et al.
6,073,034 A 6/2000 Jacobsen et al.
6,075,977 A 6/2000 Bayrami
6,082,535 A 7/2000 Mitchell
6,130,945 A 10/2000 Shin
6,157,545 A 12/2000 Janninck et al.
6,201,867 B1 3/2001 Koike
D448,368 S 9/2001 Bettag et al.
6,591,088 B1 7/2003 Watanabe
6,594,472 B1 7/2003 Curtis et al.
6,842,633 B1 1/2005 Deo et al.
7,194,291 B2* 3/2007 Peng 455/575.8
2001/0034211 A1 10/2001 Kuroshima et al.
2002/0193136 A1 12/2002 Halkosaari et al.

FOREIGN PATENT DOCUMENTS

DE 20111112.8 9/2001

* cited by examiner

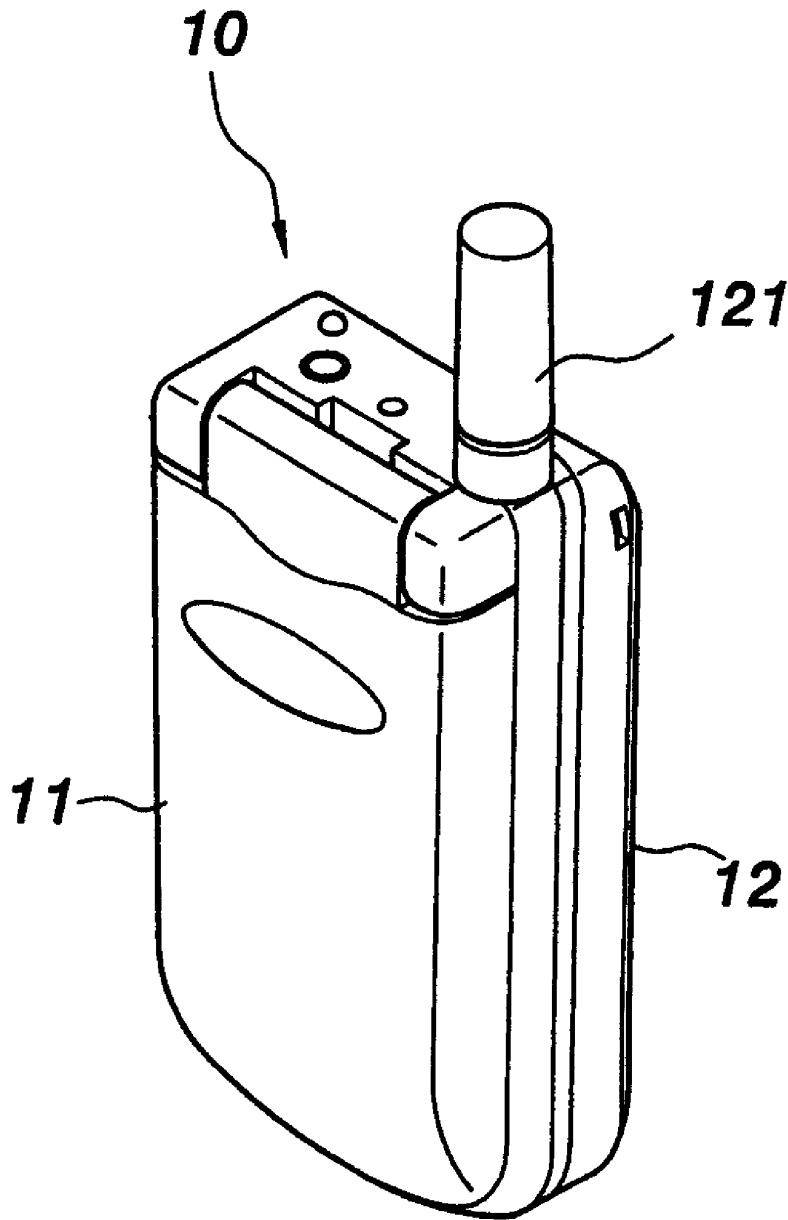


FIG. 1
PRIOR ART

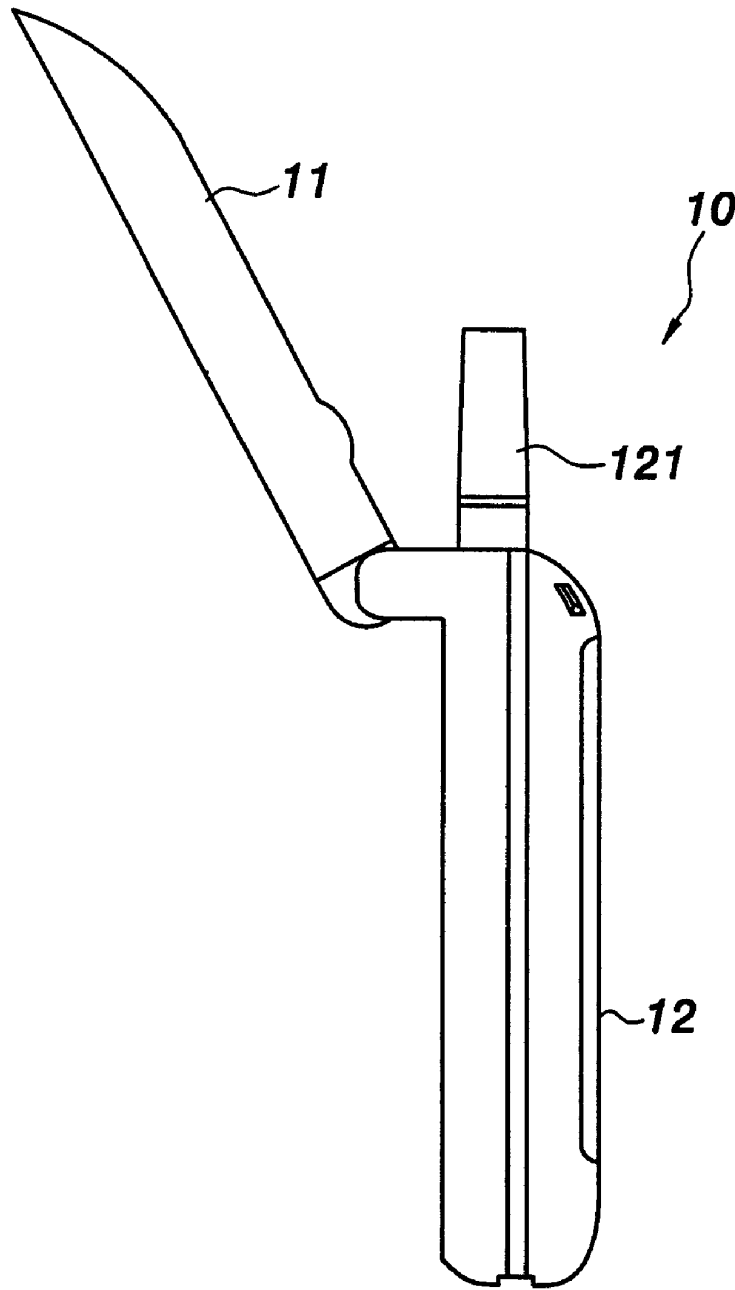


FIG. 2
PRIOR ART

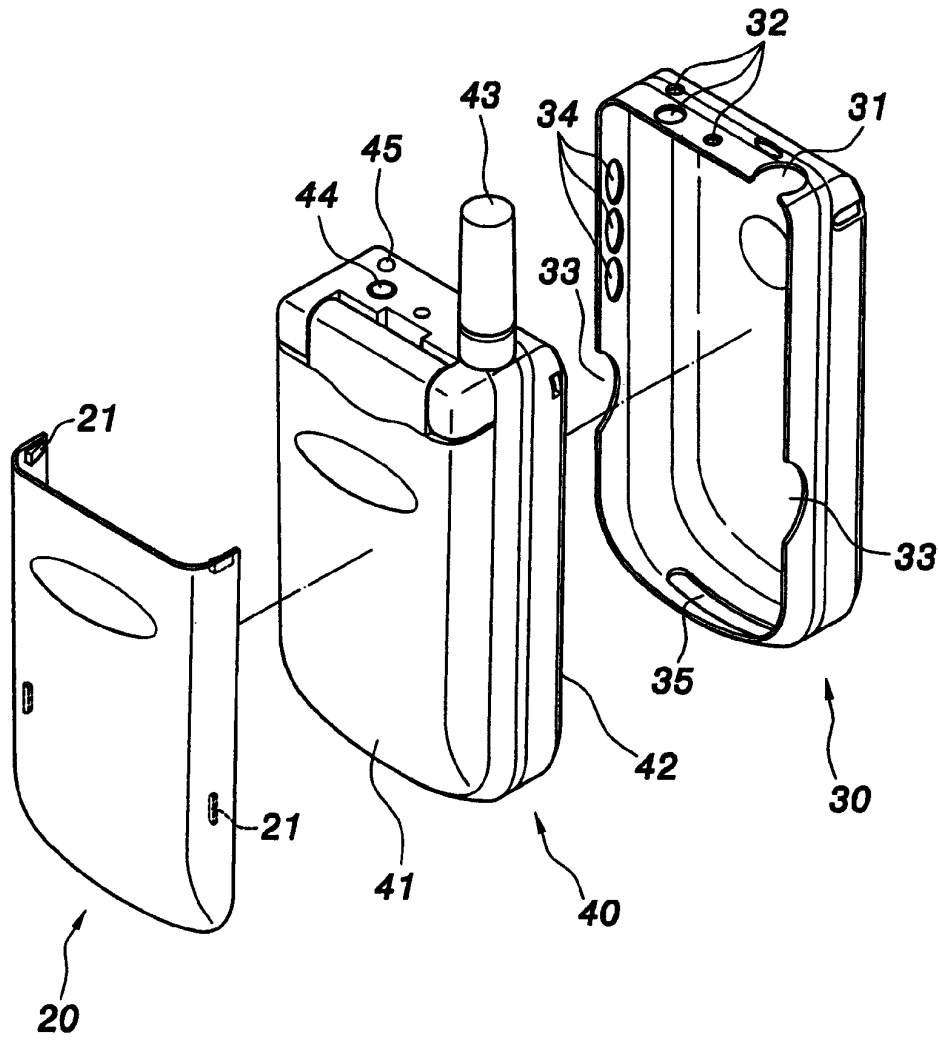


FIG. 3

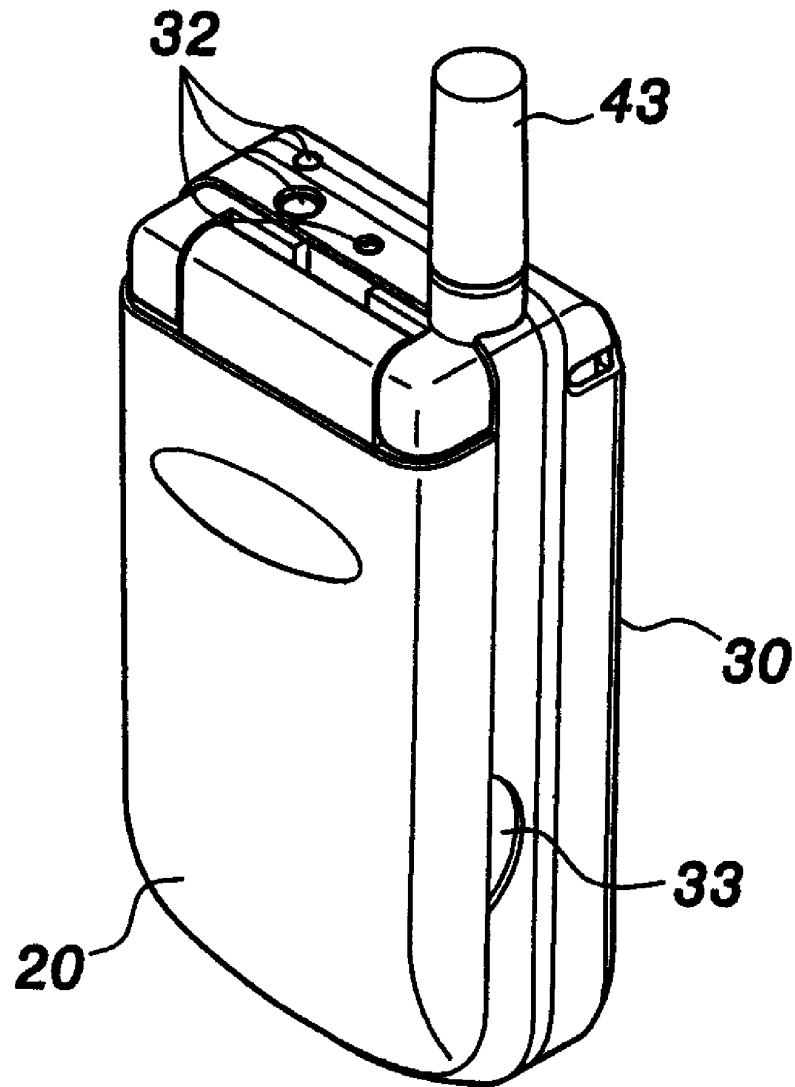


FIG. 4

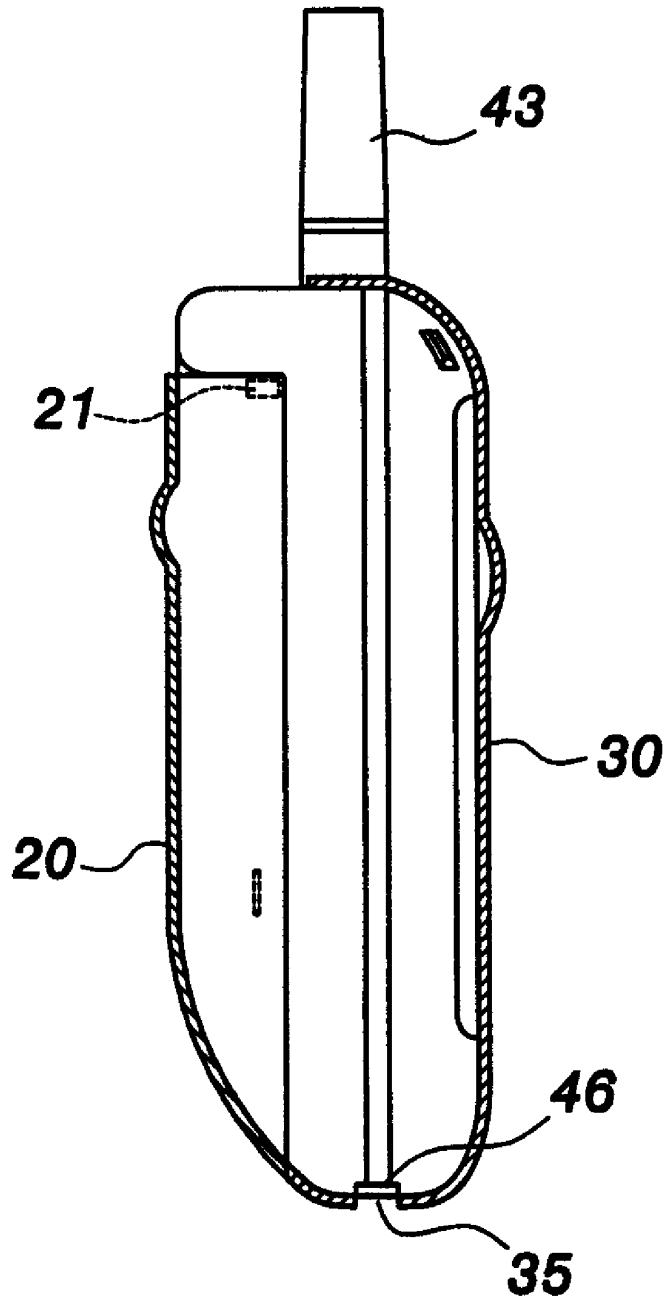


FIG. 5

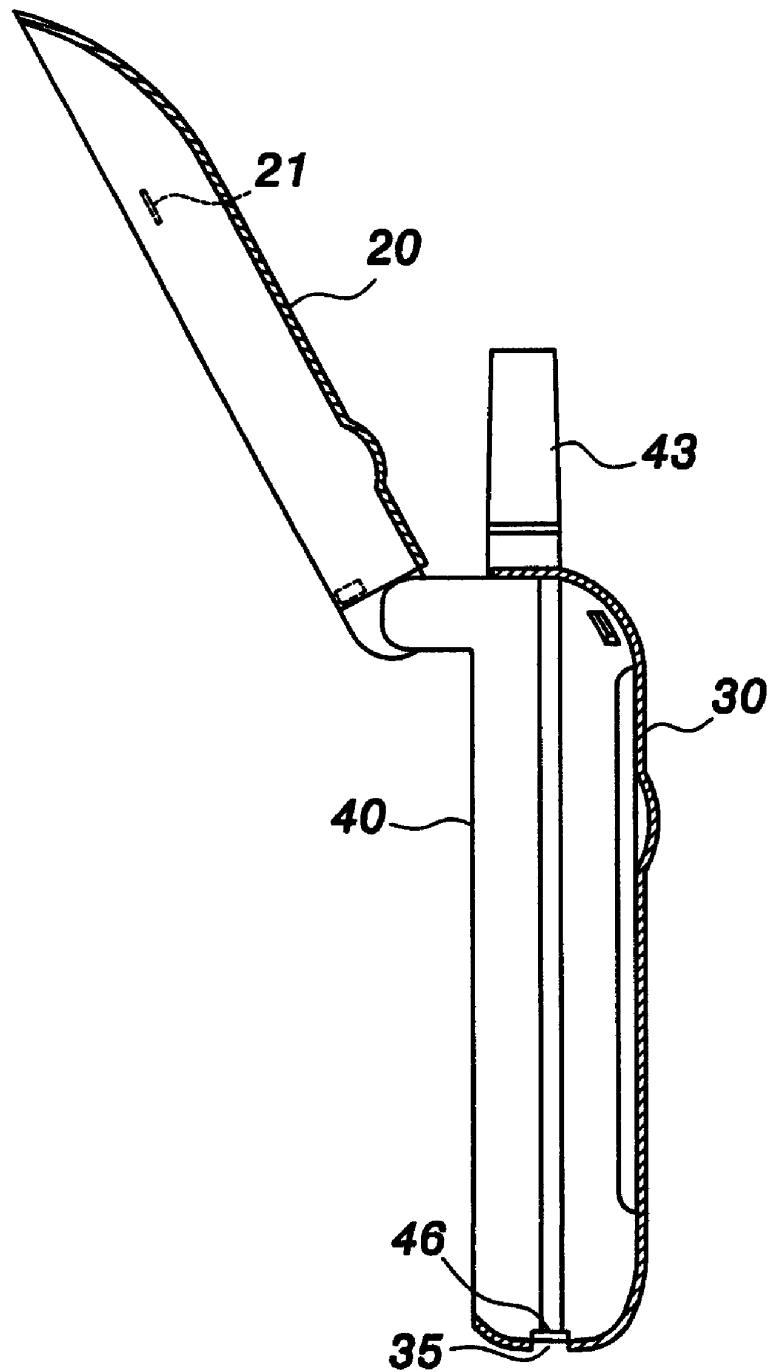


FIG. 6

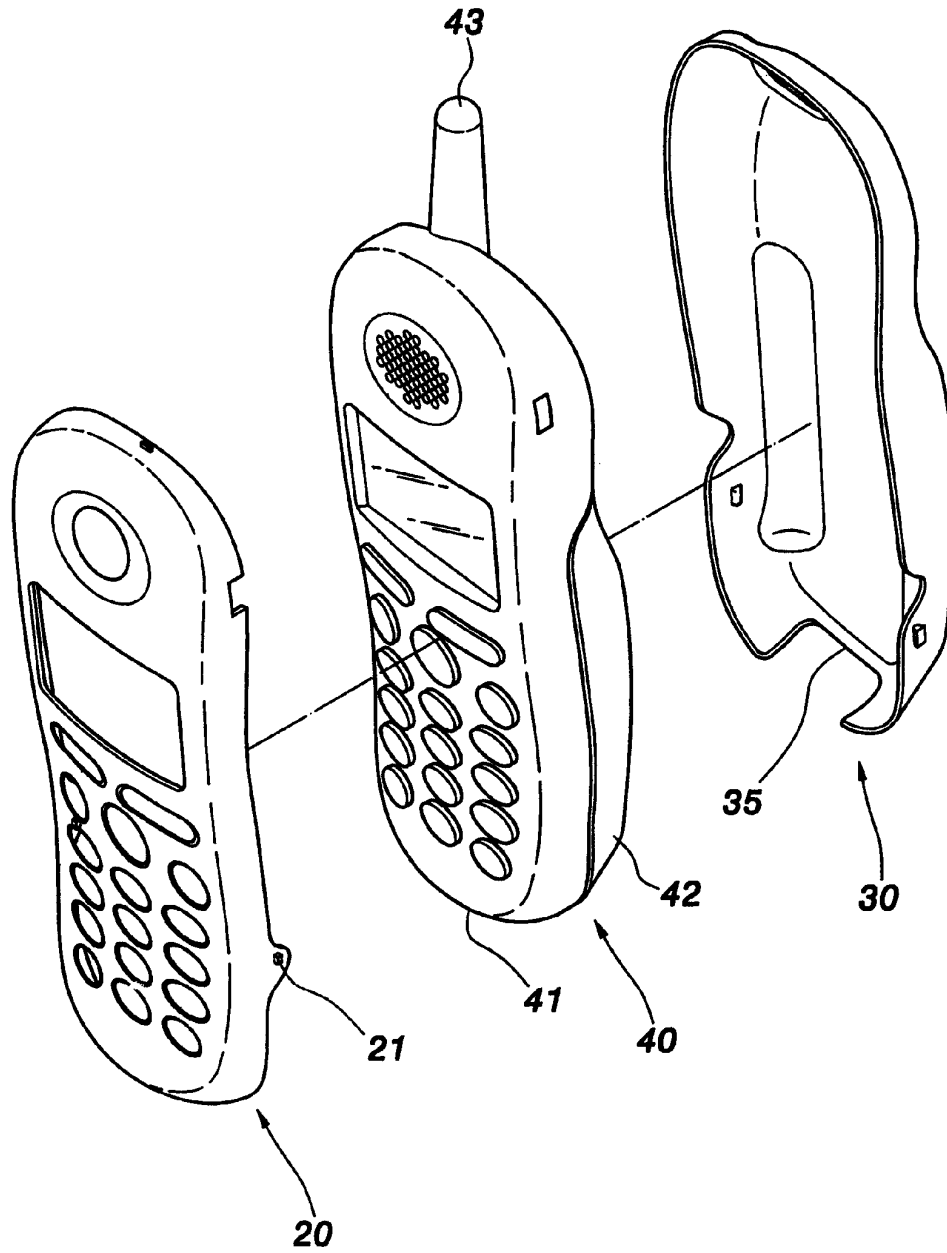


FIG. 7

US 7,941,195 B2

1

PROTECTIVE MASK OF MOBILE PHONECROSS-REFERENCE TO RELATED PATENT
APPLICATIONS

This continuation application claims priority to U.S. patent application Ser. No. 09/888,488 filed Jun. 26, 2001, now U.S. Pat. No. 7,194,291 and Chinese Patent Application No. CN00252902.5 filed Nov. 17, 2000, which are expressly incorporated by reference herein.

FIELD OF THE INVENTION

The present invention relates to a protective mask of mobile phone and, more particularly, to an assembly structure used in a mobile phone

BACKGROUND OF THE INVENTION

FIGS. 1 and 2 show the structure of a prior art mobile phone. The outer look of the structure is approximately a rectangular parallelepiped comprising a front phone housing and a rear phone housing. One end of the front phone housing 11 is pivotally joined with one end of the rear phone housing 12, as shown in FIG. 2. An antenna 121 is disposed on the rear phone housing 12. A mobile phone 10 is formed after assembling the front and rear phone housings 11 and 12. The mobile phone 10 can be used for receiving a call, dialing a telephone number, making a call, displaying messages, and setting functions.

However, because the front and rear phone housings 11 and 12 of the mobile phone 10 are very smooth and delicate, abrasion may easily arise due to carelessness of a user so as to generate ill-favored scars thereon, resulting in the deterioration of the quality of the mobile phone and the fall of its value.

Moreover, the design of the mobile phone 10 tends to be more and more diversified in consideration of trend and fashion. The user usually spends a lot of money to change the mobile phone 10 to adhere to the fashion, resulting in waste of money.

Accordingly, the above mobile phone structure has inconvenience and drawbacks in practical installation and use. The present invention aims to resolve the problems in the prior art.

SUMMARY OF THE INVENTION

The primary object of the present invention is to provide a protective mask of mobile phone to effectively prevent abrasion of a mobile phone due to carelessness of a user, thereby preventing ill-favored scars on the mobile phone. Therefore, the deterioration of the quality of the mobile phone and the fall of its value can be avoided.

The secondary object of the present invention is to provide a protective mask of mobile phone so that trend and fashion of a mobile phone can be achieved without the need of replacing the mobile phone. Therefore, waste of money can be avoided, and economic burden to the user can be lessened.

To achieve the above objects, the present invention provides a protective mask of mobile phone comprising an upper cover body and a lower cover body. The upper and lower cover bodies are integrally formed by means of mold ejection of plastic. Patterns, types, or nameplates can be printed on the upper and lower cover bodies. The upper and lower cover bodies can sheathe a mobile phone therein. A gap, cavities, and slots corresponding to an antenna, an earphone cavity, an incoming-call informing light and so on of the mobile phone are disposed on the lower cover body so that a user can

2

successfully receive a call and use various kinds of functions and settings of the mobile phone.

The various objects and advantages of the present invention will be more readily understood from the following detailed description when read in conjunction with the appended drawings, in which:

BRIEF DESCRIPTION OF THE DRAWINGS

FIG. 1 is a perspective view of a prior art mobile phone; FIG. 2 is a diagram showing the use state of a prior art mobile phone;

FIG. 3 is an exploded perspective view of the present invention and a mobile phone;

FIG. 4 is a perspective view of the present invention assembled with a mobile phone;

FIG. 5 is a cross-sectional view of the present invention assembled with a mobile phone;

FIG. 6 is a diagram showing the use state of the present invention assembled 10 with a mobile phone; and

FIG. 7 is an exploded perspective view according to a second embodiment of the present invention.

DETAILED DESCRIPTION OF THE PREFERRED
EMBODIMENTS

As shown in FIGS. 3 to 6, the present invention relates to a protective mask of mobile phone and, more particularly, to an assembly structure used in a mobile phone. The protective mask of mobile phone of the present invention comprises an upper cover body 20 and a lower cover body 30.

The upper cover body 20 is integrally formed by mold ejection of plastic. Patterns, types, or nameplates can be printed on a front side face of the upper 20 cover body 20. The upper cover body 20 can be joined with a front phone housing 41 of a mobile phone 40, as shown in FIG. 4. A rear side face of the upper cover body 20 has a plurality of flanges 21, as shown in FIG. 3. The flanges 21 can be retained at the edge of the front phone housing 41 of the mobile phone 40. The front phone housing 41 of the mobile phone 40 can be sheathed in the upper cover body 20, as shown in FIG. 5.

The lower cover body 30 is integrally formed by mold ejection of plastic. Patterns, types, or nameplates can be printed on the lower cover body 30. The lower cover body 30 can be joined with a rear phone housing 42 of the mobile phone 40, as shown in FIG. 4. The lower cover body 30 has a gap 31 to retain an antenna 43 of the mobile phone 40, as shown in FIG. 3. A plurality of cavities 32 are disposed beside the gap 31 of the lower cover body 30. The cavities 32 can correspond to an earphone cavity 44, an incoming-call informing light 45 and so on of the mobile phone 40 so that a user can conveniently use the functions of the mobile phone 40.

Finger recessions 33 are respectively disposed at two sides of the lower cover body 30 so that a user can easily unfold the pivotally joined front phone housing 41 and rear phone housing 42 to receive a call or operate the mobile phone 40, as shown in FIG. 6. The finger recessions 33 can also let the user conveniently separate the mobile phone 40 and the lower cover body 30 for performing operations such as replacing a battery (not shown) of the mobile phone 40. A plurality of holes 34 are disposed at one side of the lower cover body 30. The holes 34 can correspond to function keys (not shown) of the mobile phone 40 so that the user can successfully receive a call or set functions.

A bottom of the lower cover body 30 has a slot 35, which can correspond to a socket 46 (shown in FIG. 5) of the mobile

US 7,941,195 B2

3

phone **40** so that a user can plug in a power supply (not shown) of the mobile phone **40** to charge or recharge the mobile phone **40**.

As shown in FIG. 7, a different upper cover body **20** and a different lower cover body **30** are matched according to the outer look of a different mobile phone **40** so as to satisfy users having different mobile phones **40**. The connection and disposition ways are the same as the above first embodiment of the present invention.

The present invention uses the upper cover body **20** and the lower cover body **30** to sheathe the mobile phone **40** therein so as to effectively prevent abrasion of the mobile phone **40** due to the carelessness of a user, thereby preventing ill-favored scars on the mobile phone. Moreover, trend and fashion of the mobile phone **40** can be achieved without the need of replacing the mobile phone **40**.

Although the present invention has been described with reference to the preferred embodiments thereof, it will be understood that the invention is not limited to the details thereof. Various substitutions and modifications have been suggested in the foregoing description, and others will occur to those of ordinary skill in the art. Therefore, all such substitutions and modifications are intended to be embraced within the scope of the invention as defined in the appended claims.

What is claimed is:

1. A protective mask adapted to be coupled to an exterior housing of a mobile phone having internal components including circuitry and a battery, which are covered by the exterior housing, the protective mask comprising:

a first mask portion, molded to conform to the shape of a first portion of the exterior housing of the mobile phone, the first mask portion adapted to be coupled to the mobile phone to retain the first mask portion to the first portion of the exterior housing so that the first mask portion covers the first portion of the exterior housing of the mobile phone; and

a second mask portion, molded to conform to the shape of a second portion of the exterior housing of the mobile phone, the second mask portion adapted to be coupled to the mobile phone to retain the second mask portion to the second portion of the exterior housing so that the second mask portion covers the second portion of the exterior housing of the mobile phone;

wherein said first and second mask portions are retained to the exterior housing of the mobile phone.

2. The protective mask of claim **1**, wherein patterns, types, or nameplates can be printed on said first and second mask portions.

3. The protective mask of claim **1**, wherein the first mask portion includes at least one opening to permit access to features of the mobile phone.

4. The protective mask of claim **1**, wherein said second mask portion includes at least one opening to permit access to features of the mobile phone.

5. The protective mask of claim **1**, wherein said second mask portion includes an opening corresponding to a socket

4

of said mobile phone so that a user can conveniently plug in a power supply to charge said mobile phone.

6. A protective mask adapted to be coupled to an exterior housing of a mobile phone, the mobile phone having internal components including circuitry and a battery, which are covered by the exterior housing, the protective mask comprising:

a first mask portion, molded to conform to the shape of a first portion of the exterior housing of the mobile phone, the first mask portion is adapted to be coupled to the mobile phone to retain the first mask portion to the first portion of the exterior housing so that the first mask portion covers the first portion of the exterior housing of the mobile phone;

said first mask portion including an opening that is associated with an opening in the exterior housing to permit access to a feature of the mobile phone; and

a second mask portion, molded to conform to the shape of a second portion of the exterior housing of the mobile phone, the second mask portion adapted to be coupled to the mobile phone to retain the second mask portion to the second portion of the exterior housing so that the second mask portion covers the second portion of the exterior housing of the mobile phone;

wherein said first and second mask portions are retained to the exterior housing of the mobile phone.

7. The protective mask of claim **6**, wherein patterns, types, or nameplates can be printed on said first and second mask portions.

8. The protective mask of claim **6**, wherein the second mask portion includes an opening to permit access to a feature of the mobile phone.

9. A protective mask adapted to be coupled to an exterior housing of a mobile phone having internal components including circuitry and a battery, which are covered by the exterior housing, the protective mask comprising:

a first mask portion, molded to conform to the shape of a first portion of the exterior housing of the mobile phone, the first mask portion having flanges to allow the first mask portion to be coupled to the mobile phone to retain the first mask portion to the first portion of the exterior housing so that the first mask portion covers the first portion of the exterior housing of the mobile phone.

10. The protective mask of claim **9**, further comprising a second mask portion, molded to conform to the shape of a second portion of the exterior housing of the mobile phone, the second mask portion adapted to be coupled to the mobile phone to retain the second mask portion to the second portion of the exterior housing so that the second mask portion covers the second portion of the exterior housing of the mobile phone.

11. The protective mask of claim **10**, wherein patterns, types, or nameplates can be printed on the first and second mask portions.

12. The protective mask of claim **11**, wherein the first mask portion includes at least one opening to permit access to features of the mobile phone.

* * * * *

EXHIBIT B

TO

**COMPLAINT FOR PATENT
INFRINGEMENT**

**United States Patent No.
10,097,676**



US010097676B2

(12) **United States Patent**
Peng

(10) **Patent No.:** **US 10,097,676 B2**
(45) **Date of Patent:** ***Oct. 9, 2018**

(54) **PROTECTIVE MASK OF MOBILE PHONE**

USPC 455/90.1, 90.3, 348, 349, 433.01, 433.11,
455/451, 550, 550.1, 575.1

(75) Inventor: **Kuan-Lin Peng**, Taipai (TW)

See application file for complete search history.

(73) Assignee: **Gregory Jukyong Kim**, Westmont, IL (US)

(56) **References Cited**

(*) Notice: Subject to any disclaimer, the term of this patent is extended or adjusted under 35 U.S.C. 154(b) by 119 days.

This patent is subject to a terminal disclaimer.

U.S. PATENT DOCUMENTS

D211,355 S	6/1968	Farnham et al.
D219,451 S	12/1970	Blackman
4,121,061 A	10/1978	Donaldson
5,012,513 A	4/1991	Dale et al.
D337,435 S	7/1993	Kaneko et al.

(Continued)

(21) Appl. No.: **13/094,428**

FOREIGN PATENT DOCUMENTS

(22) Filed: **Apr. 26, 2011**

CN	00252902.5	11/2000
DE	20019958 U1	2/2001
DE	20111112 U1	9/2001

(65) **Prior Publication Data**

US 2011/0201394 A1 Aug. 18, 2011

OTHER PUBLICATIONS

Related U.S. Application Data

IL Telefono Cellulare & C. 2 pages. Date: Oct. 2000. (Shows replacement mobile telephone housing portions.).

(63) Continuation of application No. 11/673,237, filed on Feb. 9, 2007, now Pat. No. 7,941,195, which is a continuation of application No. 09/888,488, filed on Jun. 26, 2001, now Pat. No. 7,194,291.

Primary Examiner — Dinh Nguyen

(74) *Attorney, Agent, or Firm* — Invention Mine LLC

(30) **Foreign Application Priority Data**

Nov. 17, 2000 (CN) 252902

(57) **ABSTRACT**

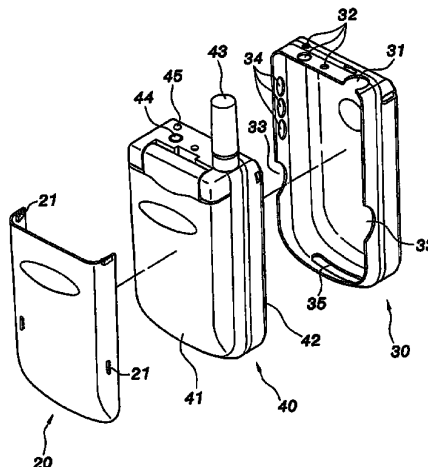
(51) **Int. Cl.**
H04M 1/02 (2006.01)
H04B 1/3888 (2015.01)

The present invention relates to a protective mask of mobile phone comprising an upper cover body and a lower cover body. The upper and lower cover bodies can be joined with a front and a rear phone housing of a mobile phone, respectively, to effectively prevent abrasion of the mobile phone due to carelessness of a user, thereby preventing ill-favored scars on the mobile phone. Therefore, the deterioration of the quality of the mobile phone and the fall of its value can be avoided. Moreover, trend and fashion of the mobile phone can be achieved without the need of replacing the mobile phone. Therefore, waste of money can be avoided, and economic burden to the user can be lessened.

(52) **U.S. Cl.**
CPC **H04M 1/0283** (2013.01); **H04B 1/3888** (2013.01); **H04M 1/0214** (2013.01)

(58) **Field of Classification Search**
CPC . H04W 88/02; H04M 1/0283; H04M 1/0214;
H04M 1/0202; H04M 1/0212; H04M 1/0216; H04B 1/3888

12 Claims, 7 Drawing Sheets



US 10,097,676 B2

Page 2

(56)

References Cited

U.S. PATENT DOCUMENTS

D338,470 S	8/1993	Clayton	6,011,699 A	1/2000	Murray et al.	
D342,262 S	12/1993	Hester	D425,907 S	5/2000	Frye et al.	
D348,472 S	7/1994	Cyfko	6,073,027 A	6/2000	Norman et al.	
5,383,091 A	1/1995	Snell	6,073,034 A	6/2000	Jacobsen et al.	
D365,927 S	1/1996	Cho	6,075,977 A	6/2000	Bayrami	
D369,903 S	5/1996	Tetrault	6,082,535 A	7/2000	Mitchell	
5,586,704 A	12/1996	Alexander et al.	6,128,515 A *	10/2000	Kabler	H04B 1/3805 455/556.2
D382,538 S	8/1997	Brunette	6,130,945 A	10/2000	Shin	
D385,283 S	10/1997	Snyder et al.	6,157,545 A	12/2000	Janninck et al.	
D385,554 S	10/1997	Nuovo et al.	6,184,835 B1	2/2001	Chen et al.	
5,678,204 A	10/1997	Naylor	6,201,867 B1	3/2001	Koike	
D395,749 S	7/1998	Jayez	6,224,225 B1	5/2001	Chen	
D396,951 S	8/1998	Huber	D448,368 S *	9/2001	Bettag	D14/250
D397,246 S	8/1998	Hoofnagle et al.	6,430,400 B1	8/2002	MacDonald, Jr. et al.	
5,809,403 A	9/1998	MacDonald, Jr. et al.	6,563,927 B2	5/2003	Mote et al.	
D400,541 S	11/1998	Harrison	6,591,088 B1	7/2003	Watanabe	
D408,402 S	4/1999	Shimelfarb et al.	6,594,472 B1	7/2003	Curtis et al.	
5,896,277 A	4/1999	Leon et al.	6,842,633 B1	1/2005	Deo et al.	
5,923,752 A *	7/1999	McBride et al. 379/433.11	6,876,837 B2	4/2005	Kuroshima et al.	
5,933,330 A	8/1999	Beutler et al.	6,898,283 B2	5/2005	Wycherley et al.	
5,988,577 A	11/1999	Phillips et al.	7,069,063 B2	6/2006	Halkosaari et al.	
6,006,074 A	12/1999	De Larminat et al.	7,194,291 B2	3/2007	Peng	
			7,941,195 B2	5/2011	Peng	

* cited by examiner

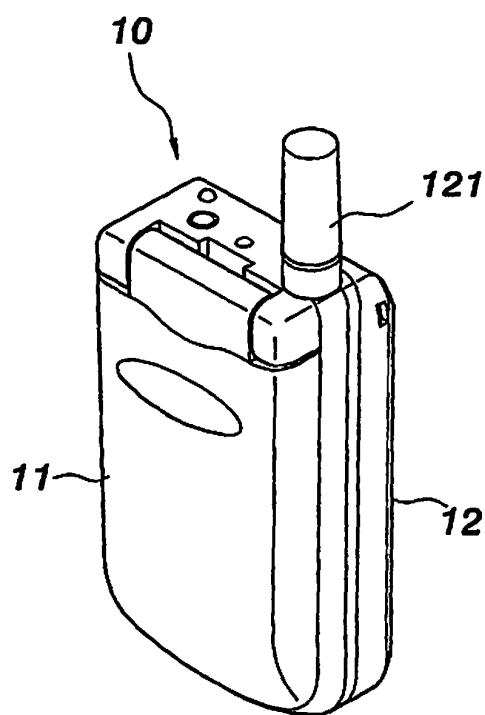


FIG. 1
PRIOR ART

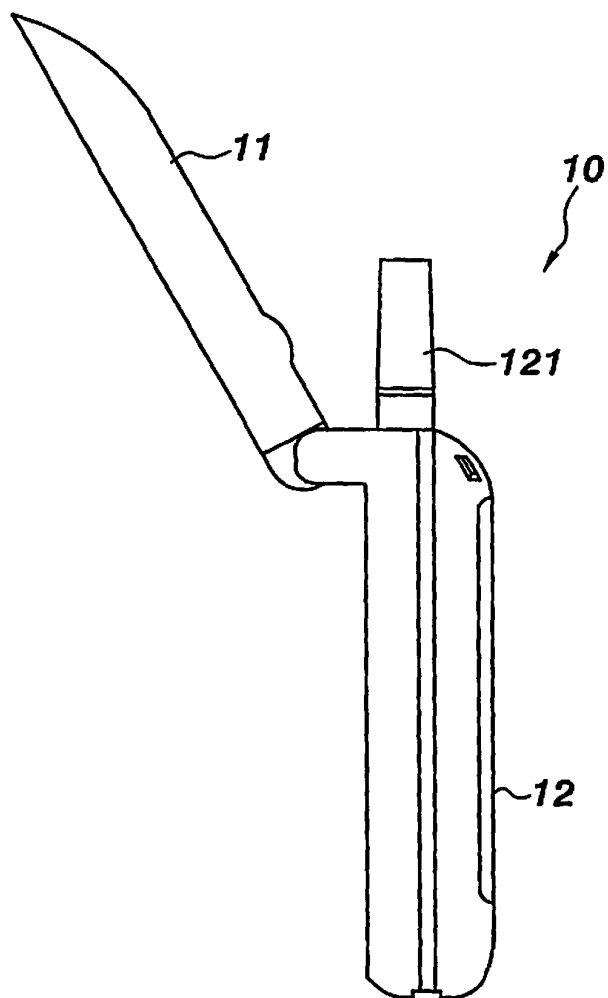


FIG. 2
PRIOR ART

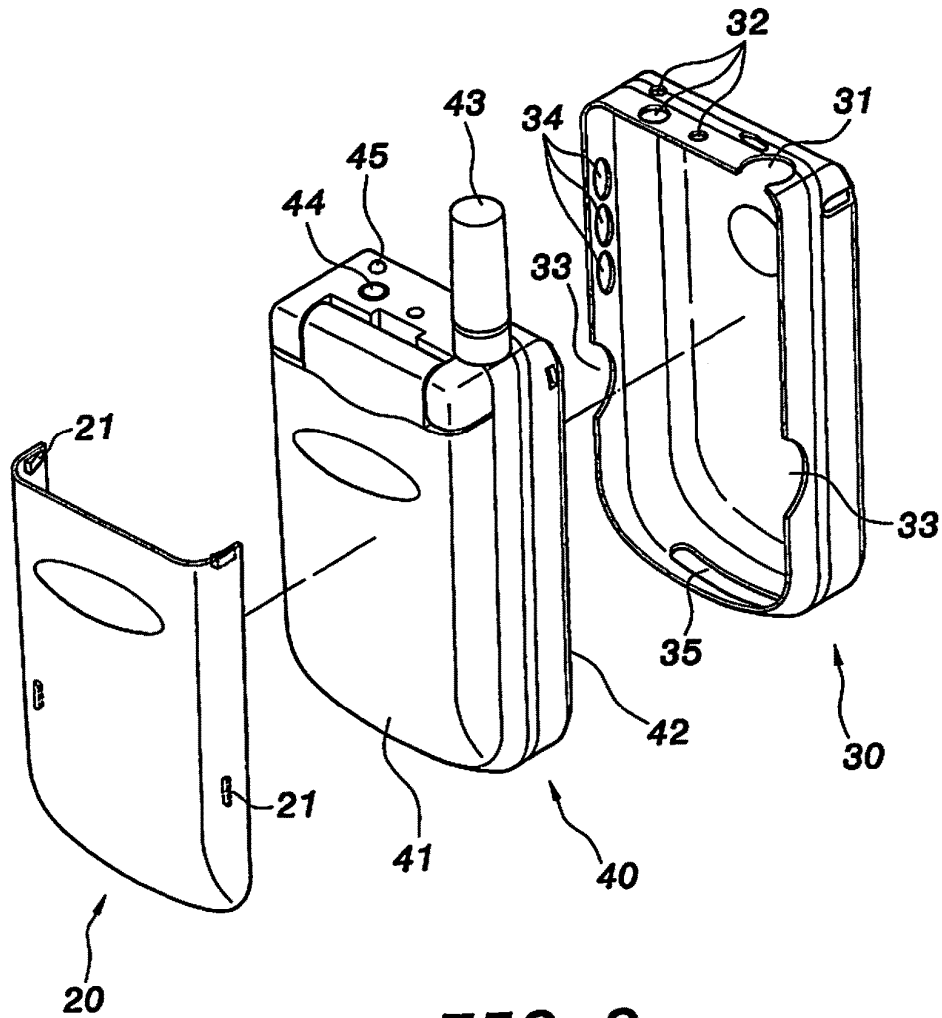


FIG. 3

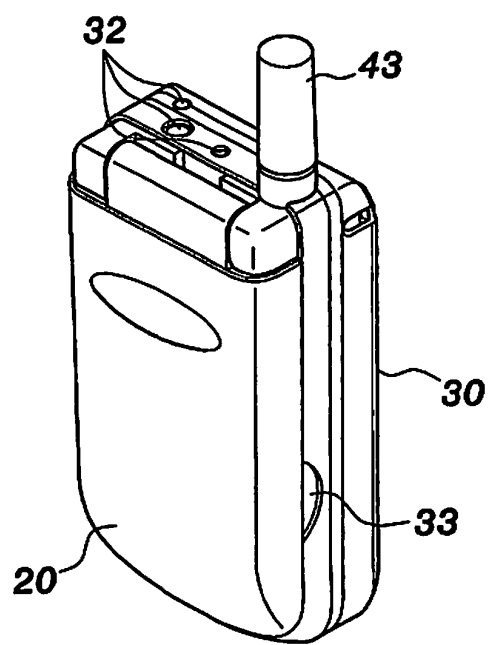


FIG. 4

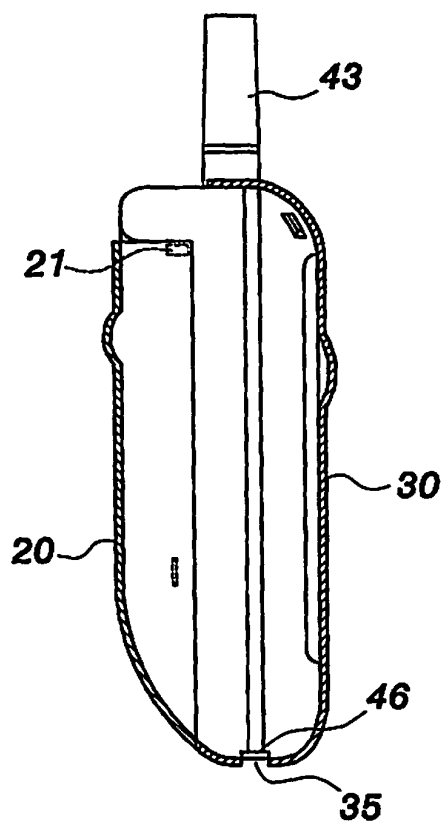


FIG. 5

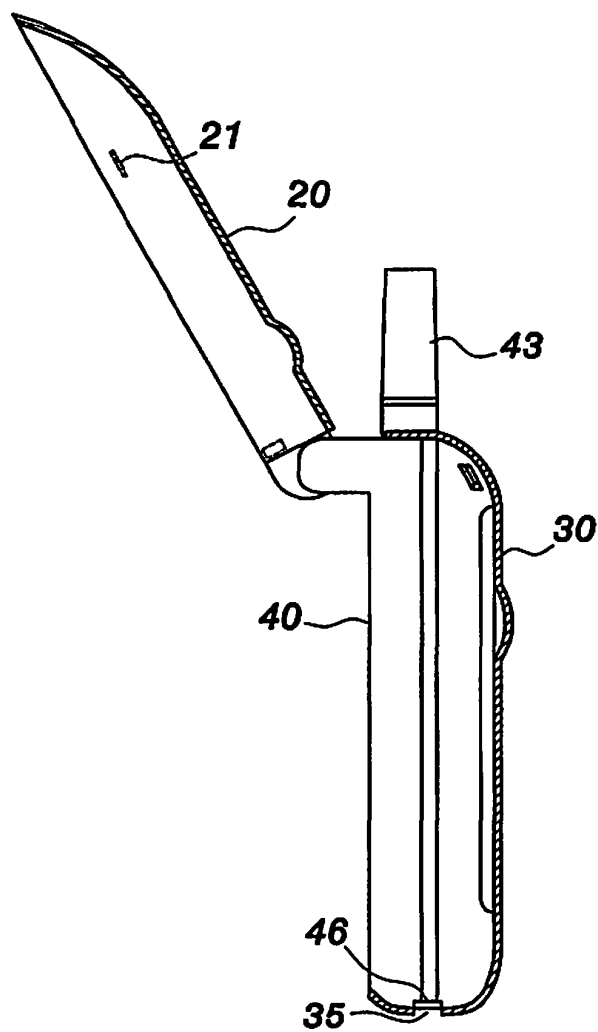


FIG. 6

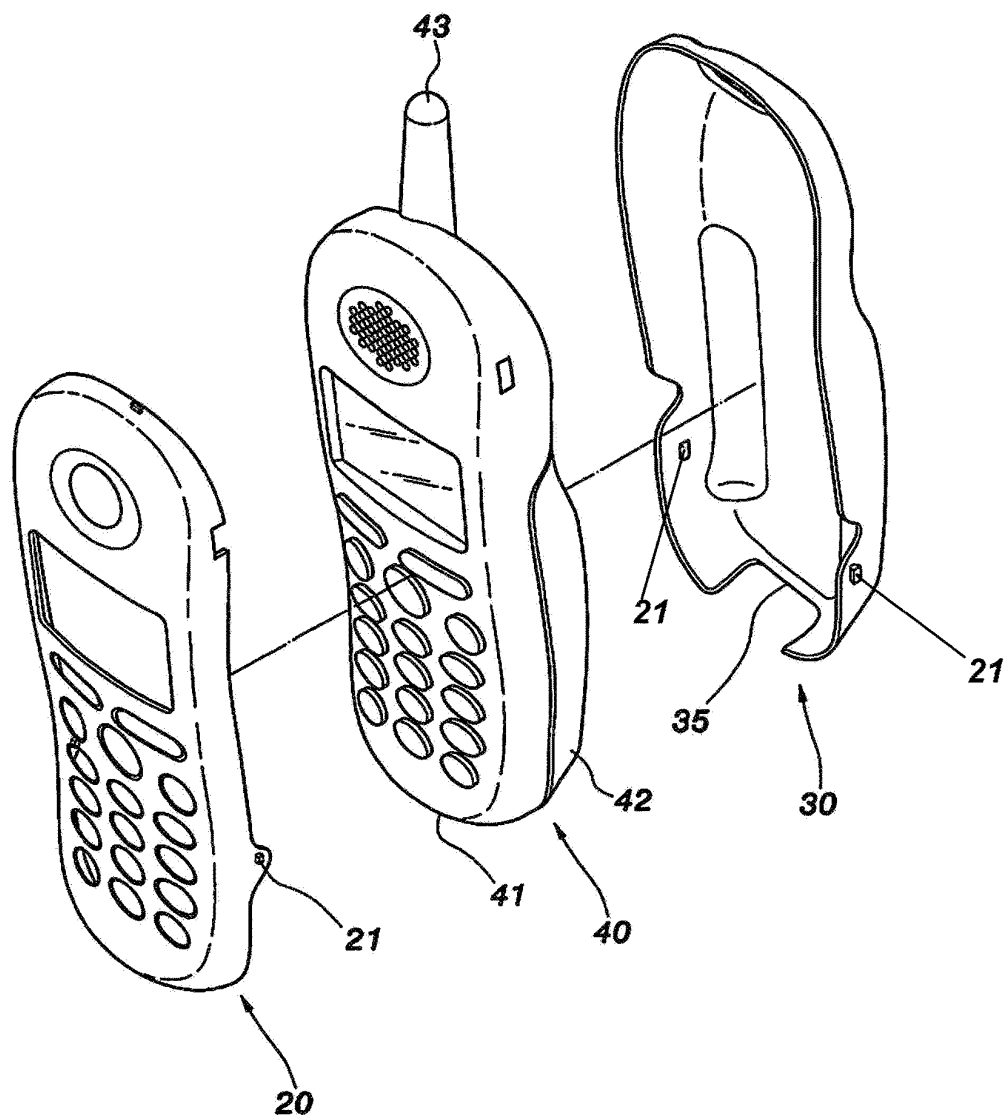


FIG. 7

US 10,097,676 B2

1

PROTECTIVE MASK OF MOBILE PHONE

RELATED APPLICATIONS

This application is a continuation of U.S. patent applica- 5
tion Ser. No. 11/673,237, filed Feb. 9, 2007, now U.S. Pat.
No. 7,941,195, which (i) is a continuation application of
U.S. patent application Ser. No. 09/888,488, filed Jun. 26,
2001, now U.S. Pat. No. 7,194,291, and (ii) claims priority
to Chinese Patent Application No. CN00252902.5, filed 10
Nov. 17, 2000, the contents of which are incorporated herein
by reference.

FIELD OF THE INVENTION

The present invention relates to a protective mask of
mobile phone and, more particularly, to an assembly struc-
ture used in a mobile phone.

BACKGROUND OF THE INVENTION

FIGS. 1 and 2 show the structure of a prior art mobile
phone. The outer look of the structure is approximately a
rectangular parallelepiped comprising a front phone housing
and a rear phone housing. One end of the front phone
housing 11 is pivotally joined with one end of the rear phone
housing 12, as shown in FIG. 2. An antenna 121 is disposed
on the rear phone housing 12. A mobile phone 10 is formed
after assembling the front and rear phone housings 11 and
12. The mobile phone 10 can be used for receiving a call, 30
dialing a telephone number, making a call, displaying mes-
sages, and setting functions.

However, because the front and rear phone housings 11
and 12 of the mobile phone 10 are very smooth and delicate,
abrasion may easily arise due to carelessness of a user so as
to generate ill-favored scars thereon, resulting in the dete-
rioration of the quality of the mobile phone and the fall of
its value.

Moreover, the design of the mobile phone 10 tends to be
more and more diversified in consideration of trend and
fashion. The user usually spends a lot of money to change
the mobile phone 10 to adhere to the fashion, resulting in
waste of money.

Accordingly, the above mobile phone structure has incon-
venience and drawbacks in practical installation and use. 45
The present invention aims to resolve the problems in the
prior art.

SUMMARY OF THE INVENTION

The primary object of the present invention is to provide
a protective mask of mobile phone to effectively prevent
abrasion of a mobile phone due to carelessness of a user,
thereby preventing ill-favored scars on the mobile phone.
Therefore, the deterioration of the quality of the mobile
phone and the fall of its value can be avoided. 55

The secondary object of the present invention is to
provide a protective mask of mobile phone so that trend and
fashion of a mobile phone can be achieved without the need
of replacing the mobile phone. Therefore, waste of money
can be avoided, and economic burden to the user can be
lessened.

To achieve the above objects, the present invention pro-
vides a protective mask for a mobile phone comprising an
upper cover body and a lower cover body. The upper and
lower cover bodies are integrally formed by means of mold
ejection of plastic. Patterns, types, or nameplates can be

2

printed on the upper and lower cover bodies. The upper and
lower cover bodies can sheathe a mobile phone therein. A
gap, cavities, and slots corresponding to an antenna, an
earphone cavity, an incoming-call informing light and so on
of the mobile phone are disposed on the lower cover body
so that a user can successfully receive a call and use various
kinds of functions and settings of the mobile phone.

The various objects and advantages of the present inven-
tion will be more readily understood from the following
detailed description when read in conjunction with the
appended drawings, in which:

BRIEF DESCRIPTION OF THE DRAWINGS

15 FIG. 1 is a perspective view of a prior art mobile phone;
FIG. 2 is a diagram showing the use state of a prior art
mobile phone;

FIG. 3 is an exploded perspective view of the present
invention and a mobile phone;

20 FIG. 4 is a perspective view of the present invention
assembled with a mobile phone;

FIG. 5 is a cross-sectional view of the present invention
assembled with a mobile phone;

FIG. 6 is a diagram showing the use state of the present
invention assembled 10 with a mobile phone; and

25 FIG. 7 is an exploded perspective view according to a
second embodiment of the present invention.

DETAILED DESCRIPTION OF PREFERRED EMBODIMENTS

As shown in FIGS. 3 to 6, the present invention relates to
a protective mask of mobile phone and, more particularly, to
an assembly structure used in a mobile phone. The protec-
tive mask of mobile phone of the present invention com-
prises an upper cover body 20 and a lower cover body 30.

The upper cover body 20 is integrally formed by mold
injection of plastic. Patterns, types, or nameplates can be
printed on a front side face of the upper cover body 20. The
upper cover body 20 can be joined with a front phone
housing 41 of a mobile phone 40, as shown in FIG. 4. A rear
side face of the upper cover body 20 has a plurality of
flanges 21, as shown in FIG. 3. The flanges 21 can be
retained at the edge of the front phone housing 41 of the
mobile phone 40. The front phone housing 41 of the mobile
phone 40 can be sheathed in the upper cover body 20, as
shown in FIG. 5.

The lower cover body 30 is integrally formed by mold
injection of plastic. Patterns, types, or nameplates can be
printed on the lower cover body 30. The lower cover body
30 can be joined with a rear phone housing 42 of the mobile
phone 40, as shown in FIG. 4. The lower cover body 30 has
a gap 31 to retain an antenna 43 of the mobile phone 40, as
shown in FIG. 3. A plurality of cavities 32 are disposed
beside the gap 31 of the lower cover body 30. The cavities
32 can correspond to an earphone cavity 44, an incoming-
call informing light 45 and so on of the mobile phone 40 so
that a user can conveniently use the functions of the mobile
phone 40.

60 Finger recessions 33 are respectively disposed at two
sides of the lower cover body 30 so that a user can easily
unfold the pivotally joined front phone housing 41 and rear
phone housing 42 to receive a call or operate the mobile
phone 40, as shown in FIG. 6. The finger recessions 33 can
also let the user conveniently separate the mobile phone 40
and the lower cover body 30 for performing operations such
as replacing a battery (not shown) of the mobile phone 40.

US 10,097,676 B2

3

A plurality of holes **34** are disposed at one side of the lower cover body **30**. The holes **34** can correspond to function keys (not shown) of the mobile phone **40** so that the user can successfully receive a call or set functions.

A bottom of the lower cover body **30** has a slot **35**, which can correspond to a socket **46** (shown in FIG. 5) of the mobile phone **40** so that a user can plug in a power supply (not shown) of the mobile phone **40** to charge or recharge the mobile phone **40**.

As shown in FIG. 7, a different upper cover body **20** and a different lower cover body **30** are matched according to the outer look of a different mobile phone **40** so as to satisfy users having different mobile phones **40**. The connection and disposition ways are the same as the above first embodiment of the present invention.

The present invention uses the upper cover body **20** and the lower cover body **30** to sheathe the mobile phone **40** therein so as to effectively prevent abrasion of the mobile phone **40** due to the carelessness of a user, thereby preventing ill-favored scars on the mobile phone. Moreover, trend and fashion of the mobile phone **40** can be achieved without the need of replacing the mobile phone **40**.

Although the present invention has been described with reference to the preferred embodiments thereof, it will be understood that the invention is not limited to the details thereof. Various substitutions and modifications have been suggested in the foregoing description, and others will occur to those of ordinary skill in the art. Therefore, all such substitutions and modifications are intended to be embraced within the scope of the invention as defined in the appended claims.

The invention claimed is:

1. A protective mask molded for frictional retention to an exterior housing of a mobile phone having user input and output interfaces, and internal components including circuitry and a battery, wherein the exterior housing completely encloses the circuitry and the battery when the mobile phone is fully assembled and ready for use, the exterior housing having an exterior shape formed by a back surface, and at least portions of opposed side surfaces, the protective mask comprising:

an integrally-formed mask body molded and contoured to conform and frictionally-fit tightly against the exterior shape of the exterior housing;

an inner surface of the integrally-formed mask body defining an interior space of the integrally-formed mask body and conforming to and in substantially continuous surface-to-surface contact with the exterior shape of the exterior housing, with no substantial space between the inner surface of the integrally-formed mask body and the exterior shape of the exterior housing;

at least one opening defined by the integrally-formed mask body permitting user access to at least the user input and output interfaces; and

at least one retainer having an extension protruding laterally inward from the integrally-formed mask body and toward and into the integrally-formed mask body interior space, wherein the at least one retainer is retained to the exterior housing at an exterior housing edge when the mask is coupled to the mobile communication device, the at least one retainer participating in retaining the integrally-formed mask body to the mobile communication device.

2. The protective mask of claim **1**, wherein the integrally-formed mask body further includes indicia selected from the group consisting of text, graphic elements and combinations thereof.

4

3. The protective mask of claim **1**, wherein the integrally-formed mask body includes at least one feature opening to permit access to at least one feature of the mobile phone.

4. The protective mask of claim **1**, wherein the integrally-formed mask body includes a socket opening corresponding to a socket of the mobile phone and permitting a user to plug a power supply into the socket to charge the mobile phone.

5. A protective mask molded for frictional retention to an exterior housing of, and adapted to be coupled to, a mobile communication device having internal components including circuitry and a battery, wherein the exterior housing completely encloses the circuitry and battery when the mobile communication device is fully assembled and ready for use, and wherein the exterior housing has an exterior shape including a back face and at least portions of opposed side surfaces, the protective mask comprising:

an integrally-formed mask body molded and contoured to conform and frictionally fit to the exterior shape of the exterior housing;

an inner surface of the integrally-formed mask body defining an interior space of the integrally-formed mask body and conforming to and in substantially continuous surface-to-surface contact with the exterior shape of the exterior housing in overlying and protecting relationship, without a substantial gap between the inner surface of the integrally-formed mask body and the exterior shape of the exterior housing, the integrally-formed mask body defining an opening enabling the mask to be placed over the exterior shape in overlying and protecting relationship; and

at least one retainer having an extension protruding laterally inward from the integrally-formed mask body and toward and into the integrally-formed mask body interior space, wherein the at least one retainer is retained to the exterior housing at an exterior housing edge when the mask is coupled to the mobile communication device, the at least one retainer participating in retaining the integrally-formed mask body to the mobile communication device.

6. The protective mask of claim **5**, wherein the mobile communication device includes a socket for battery charging and the integrally-formed mask body defines at least a battery-charging socket opening permitting a power supply to be connected to the socket.

7. The protective mask of claim **5**, wherein the mobile communication device includes an earphone-connection socket and the integrally-formed mask body defines at least one earphone-connection socket opening permitting an earphone to be connected to the earphone-connection socket.

8. A mask for attachment to a hand-held mobile phone, the mobile phone having user input and output interfaces, internal components including circuitry and a battery, and an exterior housing completely enclosing the circuitry and battery when the mobile phone is fully assembled and ready for use, the exterior housing including a first face, a second face and opposed side surfaces there between, the mask comprising:

an integrally-formed mask body molded to conform to a shape of the exterior housing; and

inner and outer surfaces, the surfaces defining at least one opening in the integrally-formed mask body providing access to at least one of the user input and output interfaces, the integrally-formed mask body being configured such that, when the mask is attached to the mobile phone, the integrally-formed mask body is coextensive with, contours to and overlies the opposed

US 10,097,676 B2

5

side surfaces, with substantially no space between the mask body and the opposed side surfaces; and at least one retainer having an extension protruding laterally inward from the integrally-formed mask body and toward and into the integrally-formed mask body interior space, wherein the at least one retainer is retained to the exterior housing at an exterior housing edge when the mask is coupled to the mobile communication device, the at least one retainer participating in retaining the integrally-formed mask body to the mobile communication device.

9. A protective mask molded for frictional retention to an exterior housing of a fully assembled mobile communication device having user input and output interfaces, the mobile communication device further having internal components including circuitry and a battery completely enclosed by the exterior housing, and the exterior housing having an exterior shape formed by a back surface and at least portions of opposed side surfaces, the protective mask comprising:

an inner surface closely conforming to the exterior shape of the exterior housing and in substantially continuous surface-to-surface contact with the exterior shape of the exterior housing, with substantially no space between the inner surface of the protective mask and the exterior shape when the protective mask is retained to the exterior housing, the protective mask being molded, integrally formed, contoured and sized to fit tightly

6

against the exterior shape of the exterior housing, thereby providing retention of the protective mask to the exterior housing;

at least one opening defined by the protective mask permitting user access to at least the user input and output interfaces; and

at least one retainer having an extension protruding laterally inward from the integrally-formed mask body and toward and into the integrally-formed mask body interior space, wherein the at least one retainer is retained to the exterior housing at an exterior housing edge when the mask is coupled to the mobile communication device, the at least one retainer participating in retaining the integrally-formed mask body to the mobile communication device.

10. The protective mask of claim 9, wherein the protective mask further includes indicia selected from the group consisting of text, graphic elements and combinations thereof.

11. The protective mask of claim 9, wherein the protective mask includes at least one feature opening to permit access to at least one feature of the mobile communication device.

12. The protective mask of claim 9, wherein the protective mask includes a socket opening corresponding to a socket of the mobile communication device, permitting a user to plug a power supply into the socket to charge the mobile communication device.

* * * * *

EXHIBIT C

TO

**COMPLAINT FOR PATENT
INFRINGEMENT**

Accused Products

MOBILE DEVICE CASE SYLES OF ACCUSED PRODUCTS**

Main Sources:

- <http://tranium.com/>
- <https://tranium.com/>
- <http://tranium.com/shop/>
- <https://tranium.com/shop/>
- https://web.archive.org/web/*/http://tranium.com/
- https://web.archive.org/web/*/https://tranium.com/
- <https://www.amazon.com/stores/Trianium/Trianium/page/EB678A36-EB95-4C2F-9154-9E375C2FAB64>

Case Style Name	Exemplary Photograph(s)
PHONE CASES	
Clarium	

** This list is comprehensive, but not exhaustive, of Defendant’s Accused Product Case Styles. Plaintiff reserves the right to supplement this list as further information becomes available during the course of litigation.

Case Style Name	Exemplary Photograph(s)
Clear Cushion	
Designer	
Duranium	

** This list is comprehensive, but not exhaustive, of Defendant’s Accused Product Case Styles. Plaintiff reserves the right to supplement this list as further information becomes available during the course of litigation.

Case Style Name	Exemplary Photograph(s)
Protak	
Protanium	
Silicone	

** This list is comprehensive, but not exhaustive, of Defendant’s Accused Product Case Styles. Plaintiff reserves the right to supplement this list as further information becomes available during the course of litigation.

Case Style Name	Exemplary Photograph(s)
Slim	
Wallet	
Walletium	

** This list is comprehensive, but not exhaustive, of Defendant’s Accused Product Case Styles. Plaintiff reserves the right to supplement this list as further information becomes available during the course of litigation.

Case Style Name	Exemplary Photograph(s)
TABLET CASES	
iPad Pro	

** This list is comprehensive, but not exhaustive, of Defendant’s Accused Product Case Styles. Plaintiff reserves the right to supplement this list as further information becomes available during the course of litigation.

MOBILE DEVICE MODELS* FOR WHICH THERE ARE ACCUSED PRODUCTS**

Main Sources:

- <http://tranium.com/>
- <https://tranium.com/>
- <http://tranium.com/shop/>
- <https://tranium.com/shop/>
- https://web.archive.org/web/*/http://tranium.com/*
- https://web.archive.org/web/*/https://tranium.com/*
- <https://www.amazon.com/stores/Trianium/Trianium/page/EB678A36-EB95-4C2F-9154-9E375C2FAB64>

PHONE MODELS

Apple:

iPhone SE	iPhone 8	iPhone 12 Pro Max
iPhone 5	iPhone 8 Plus	iPhone 13
iPhone 5s	iPhone X	iPhone 13 Pro
iPhone 6	iPhone XR	iPhone 13 Pro Max
iPhone 6s	iPhone XS	iPhone 14
iPhone 6 Plus	iPhone XS Max	iPhone 14 Plus
iPhone 6s Plus	iPhone 11	iPhone 14 Pro
iPhone 7	iPhone 11 Pro	iPhone 14 Pro Max
iPhone 7 Plus	iPhone 11 Pro Max	

Samsung:

Galaxy Note 7	Galaxy S6 Edge	Galaxy S9 Plus
Galaxy Note 8	Galaxy S7	Galaxy S10
Galaxy Note 9	Galaxy S7 Edge	Galaxy S10E
Galaxy Note 10	Galaxy S8	Galaxy S10 5G
Galaxy Note 10 Plus	Galaxy S8 Plus	Galaxy S10 Plus
Galaxy S6	Galaxy S9	

Google:

Pixel	Pixel 2	Pixel 3
Pixel XL	Pixel 2 XL	Pixel 3 XL

*** This list is comprehensive, but not exhaustive, of Defendant’s Accused Product Models. Plaintiff reserves the right to supplement this list as further information becomes available during the course of litigation.

TABLET MODELS

Apple:

iPad Pro 11-inch (2018) | iPad Pro 12.9-inch (2018)

*** This list is comprehensive, but not exhaustive, of Defendant's Accused Product Models. Plaintiff reserves the right to supplement this list as further information becomes available during the course of litigation.

Trianium Clarium Case Designed For Apple iPhone 11

http://tranium.com/product/tranium-clarium-case-designed-for-apple-iphone-11/?post_in_lightbox=1

<https://www.amazon.com/dp/B073TNL7C3>



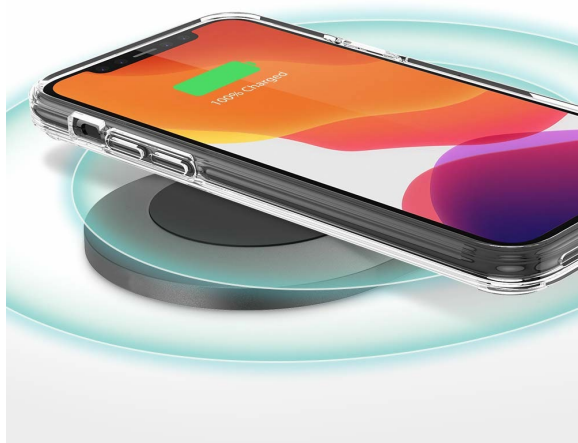
DURABLE PROTECTION

With TPU material, a polycarbonate back, and scratch resistant case design, the case was made for durability and protection.



EASY WIRELESS CHARGING

Wireless charging compatibility is effortless while case is applied.



CRYSTAL CLEAR VISUALS

Showcase the beauty and elegance of the iPhone 11 with a clear, transparent design for the world to see.





SNUG & PERFECT FIT

Snug fit with precise cutouts for every single port.



DESIGNED FOR IPHONE 11

6.1"



5.8"



6.5"



iPhone 11

iPhone 11 Pro

iPhone 11 Pro Max



1mm Raised Camera Cover

1mm Screen Edge

RAISED EDGES

Raised lips help prevent scratches and dust on the camera and screen.



CLARIUM
for iPhone 11

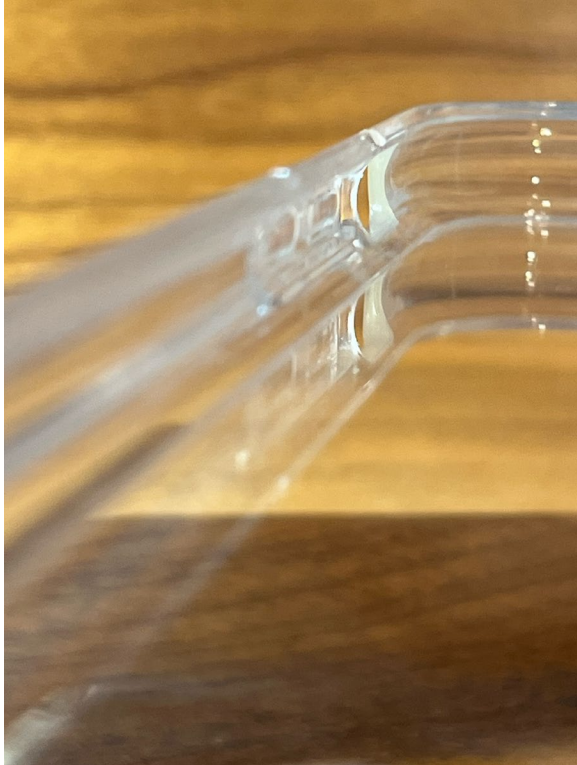
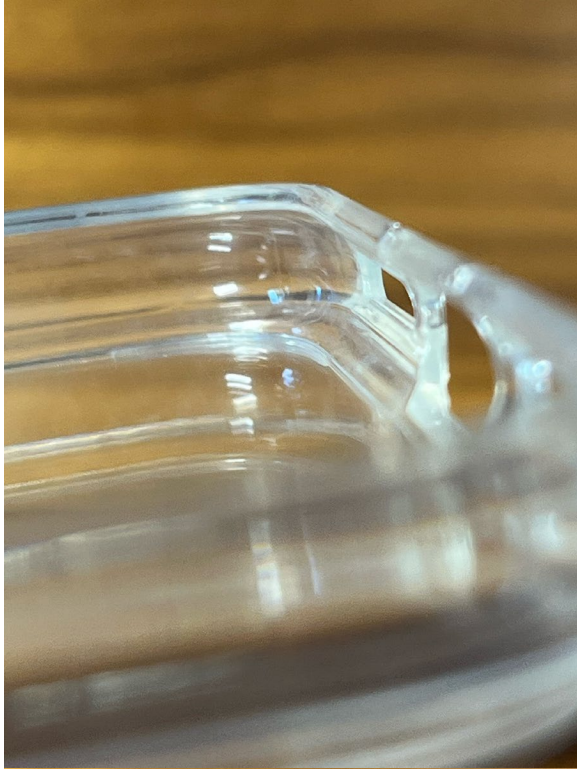


CLASS AND ELEGANCE

Sleek, Slim, and Elegant at every angle.







Trianium Case Compatible For 11-inch iPad Pro Case (2018):
http://trianium.com/product/trianium-case-compatible-for-11-inch-ipad-pro-case-2018/?post_in_lightbox=1
<https://www.amazon.com/dp/B07JNCVN9G>



BUILT-IN STAND

Transform your front cover into a tri-fold stand to support your iPad in two standing positions: in viewing or typing mode.



APPLE PENCIL HOLDER

Magnetically snap, store and wirelessly charge your Apple Pencil. The holder keeps your Apple pencil snug and secure with you always!



PREMIUM MATERIALS

Made with a smooth synthetic leather exterior, soft microfiber lining interior, and a heavy-duty bumper, providing a classic look, ultimate convenience, and all-around protection.



AUTO WAKE & SLEEP

Made with a smooth synthetic leather exterior, soft microfiber lining interior, and a heavy-duty bumper, providing a classic look, ultimate convenience, and all-around protection.



TRIANIUM PREMIUM CASE FOR IPAD PRO 11"



Featuring a smooth synthetic leather exterior and soft microfiber lining interior, built-in kickstand, and an Apple Pencil slot to carry your Apple Pencil.

** Apple Pencil sold separately.

MADE FOR IPAD PRO

Precise cutouts for convenient access to the camera, USB-C charging port, speakers, microphones, magnetic connector, and all buttons.



APPLE PENCIL HOLDER

Magnetically snap, store and wirelessly charge your Apple Pencil. The holder keeps your Apple pencil snug and secure.



** Only compatible with Apple Pencil 2nd Generation.

BUILT-IN STAND

Transform your front cover into a tri-fold stand to support your iPad in two standing positions: in viewing or typing mode.

